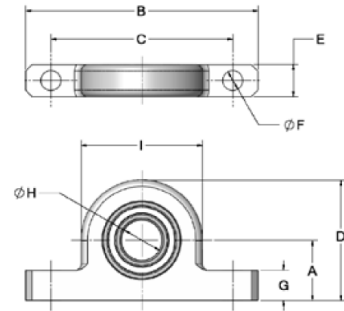


## MOUNTED MINIATURE BALL BEARINGS



Spyraflo miniature mounted ball bearings eliminate the need to engineer and build bearing mounts into medical, pharmaceutical, scientific and other precision devices. Featuring pre-greased, stainless steel precision Japanese ball bearings and sturdy sintered aluminum pillow block mounts, these small bearings can create big time and cost savings. Stainless steel and double shielding make these ball bearings corrosion resistant, and optional sealed versions are ideal for food and washdown applications. Available in inch and metric sizes from 1/8" to 3/8" (4mm - 10mm) shaft diameters.

Part Number		Shaft Dia. H.	Max. RPM	Dynamic Load lb	A	B	C	D	E	F	G	I	Weight
Inch Series	Extended IR				IN+/- .001								oz
PB0-SR2-8AZZ	-	0.1250"	56,000	150	0.375"	1.44	1.125	0.75	0.2	0.125	0.19	0.75	0.22
PB0-SR3CZZ	PB0-SWR3CZZ	0.1875"	43,000	310	0.375"	1.44	1.125	0.75	0.2*	0.125	0.19	0.75	0.21
PB0-SR188AZZ	PB0-SWR188AZZ	0.2500"	40,000	256	0.375"	1.44	1.125	0.75	0.2*	0.125	0.19	0.75	0.21
PB0-SR1810ZZS	PB0-SWR1810ZZS	0.3125"	40,000	128	0.375"	1.44	1.125	0.75	0.2*	0.125	0.19	0.75	0.17
PB1-SR6AZZ	-	0.3750"	32,000	450	0.5625"	2.25	1.750	1.13	0.4	0.156	0.25	1.13	0.8
<b>Metric Series</b>				<b>NEWTONS</b>	<b>MM+/- .025</b>								<b>GRAMS</b>
PB0-S604ZZ	-	4mm	48,000	1000	9.525	36.5	28.57	19	5	3.2	5	19	5.44
PB0-S695ZZ	-	5mm	43,000	1130	9.525	36.5	28.57	19	5	3.2	5	19	5.44
PB0-SMR126AZZ	-	6mm	43,000	750	9.525	36.5	28.57	19	5	3.2	5	19	4.76
PB0-SMR128AZZ	-	8mm	40,000	560	9.525	36.5	28.57	19	5	3.2	5	19	4.31
PB1-S6800BZZ	-	10mm	37,000	1780	14.287	57.2	44.45	28.6	10.1	4	6	14.3	21.77
*E dimension increases between 0.0" and 0.030" when an Extended Inner Race is specified.													