

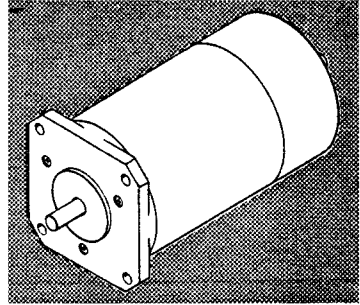
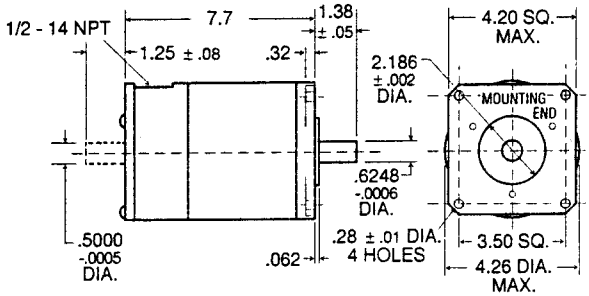


INCH

Stepper Motors - NEMA Size 42

■ 1.8° STEP ANGLE

■ SINGLE OR DOUBLE ENDED SHAFTS

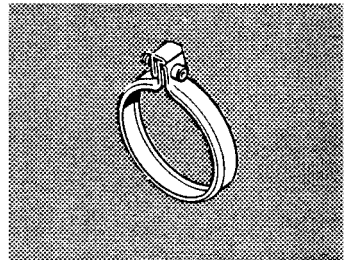
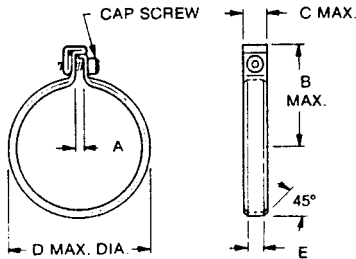


Catalog Number*	Holding Torque oz. in.	Phase Current amps	Phase Inductance mH	Phase Resistance ohms	Rotor Inertia oz. in. ²	No. of Terminals	Weight lbs.
D34A62-5042022A8	1125	9.5	1.9	.28	49.2	8	18.3
D34A62-5042022B8		4.7	8.8	1			
D34A62-5042023A8							
D34A62-5042023B8							

*NOTE: Catalog Numbers with the letter **A** represent **single shaft** stepper motors, **B** denotes **double shaft**.

S INCH

Gearhead Attaching Clamps



MATERIAL: 302 Stainless Steel — .025 thick



Catalog Number	Size Number	A	B	C	D	E	Screw Size
S3808Y-C132	8	1/16	.582		.818	.134	#2-56
S3811Y-C133	11	7/64	.804	.230	1.135		#4-40
S3815Y-C134	15	5/64	.980	.230	1.505	.134	#4-40
S3818Y-C135	18	1/8	1.150	.227	1.830		

Available on request: Special clamps.