

MBA

2022.1

High Speed Ball Bearings

Bearings with Polyamide, Phenolic and Torlon cages



Bearing speed is generally limited by the physical dimensions of the races and balls.

Improvements can be made to the allowable bearing speed by use of special cage types.

Other factors that can increase allowable speed include lubrication type, internal modifications, seal type and precision.

This catalogue lists our bearings with special cage types allowing for increased speed compared to standard bearings.

Further information may be obtained by entering a part number into the search box of the website.

Type the part number from this catalogue into the search box on any web page for delivery, stock levels and pricing.

Prefixes and Suffixes

608 T9H ZS C8-23 AF12 E							
1	2	3	4	5	6	7	8

1. Bearing Material:

S: 440C Grade Stainless Steel
 No Prefix: AISI 52100 Chrome Steel

2. Configuration:

F: Flanged
 W: Wide Inner Ring
 FW: Flanged with Wide Inner Ring
 No Prefix: Standard radial, unflanged without extended inner ring.

3. Basic Bearing Number:

Refer size listings

4. Cage Material:

KC or KB: Phenolic
 T4HB: Torlon
 T9H: Polyamide
 TNH: Polyamide
 TW: Nylon

5. Closures:

Z: Single Metal Shield
 ZS: Single Removable Metal Shield
 ZZ: Two Metal Shields
 ZZS: Two Removable Metal Shields

6. Internal Radial Clearance:

MC1: 0-5 um
 MC2: 3-8um
 MC3: 5-10um
 MC4: 8-13um
 MC5: 13-20um
 MC6: 20-28um
 MC34: 5-13um

Bearings with 10mm Bore or greater
 Use standard ISO scale C2, CN, C3, C4 and C5

7. Lubrication:

Lxxx: Oil Lubrication
 Gxxx: Grease Lubrication

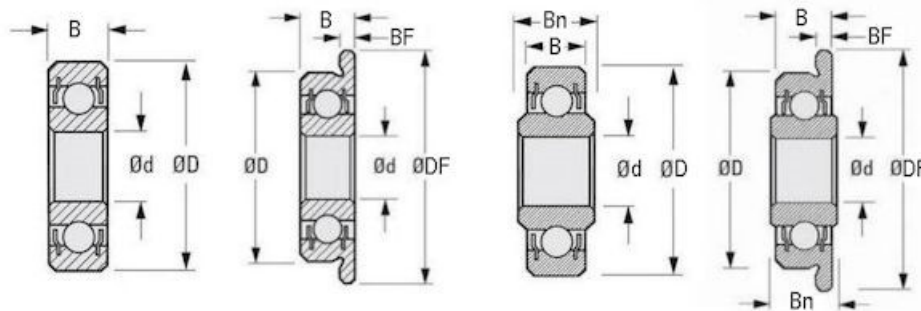
(Refer Back of Catalogue for Main Types)

8. Country of Origin:

j: Japan
 u: USA
 gr: Germany
 s: Switzerland
 E: Other European

These are just some of the most commonly used suffixes. Please refer to MBA for information on suffixes not listed.

Diagrams



Standard

Flanged

Wide Inner

Flanged
Wide Inner

Only the most common diagrams are shown. Other types are also listed in this catalogue.

d	D	B	Bn	DF	BF	Part Number	Type	
2.350 x 5.000 mm (0.093 x 0.197 in.)								
2.350	5.000	1.500				Open SMR5-0235-T4HB-MC3-AF12	Bearings - Ball - High Speed Cage	. Precision: Abec 1
2.350 x 5.500 mm (0.093 x 0.217 in.)								
2.350	5.500	2.000				Open * SMR55-0235-T4HB-MC3-AF12	Bearings - Ball - 440C Stainless	. Precision: Abec 1
3.000 x 7.000 mm (0.118 x 0.276 in.)								
3.000	7.000	2.500	3.350 Extended One Side Only			ZZ ** SWA683B-TO-ZZ-C69-GR5	Bearings - Ball - WIR - High Precision - 440C Stainless	. Precision: Abec 5
3.000 x 8.000 mm (0.118 x 0.315 in.)								
3.000	8.000	4.000				ZZ S693A-T9H-ZZ-MC3	Bearings - Ball - High Speed Cage	. Precision: Abec 1
3.000	8.000	4.000				ZZ * 693A-T9H-ZZ-MC3-ACO	Bearings - Ball - High Speed Cage	. Precision: Abec 1
3.000	8.000	4.000				ZZS ** S693A-T9H-ZZS-ECO	Bearings - Ball - High Speed Cage	. Precision: Economy
3.000 x 10.000 mm (0.118 x 0.394 in.)								
3.000	10.000	4.000				ZZS S623-CSN-T9H-ZZS-AF12	Bearings - Ball - Ceramic Hybrid	. Precision: Abec 1
3.175 x 6.350 mm (0.125 x 0.250 in.)								
3.175	6.350	1.910				Open SR144C-D26-KC	Bearings - Dental Applications	. Precision: Abec 7
3.175	6.350	2.381		7.518	0.584	Open SFR144-D28-KC	Bearings - Dental Applications	. Precision: Abec 7
3.175	6.350	2.381	3.175			ZZS * SWR144-TNH-ZZS-MC3	Bearings - Ball - High Speed Cage	. Precision: Abec 1
3.175	6.350 / 5.979	2.779				ZS SR144A-D105-ZS-KC-OPT	Bearings - Dental Applications	. Precision: Abec 7
3.175	6.350	2.779				ZS * SR144A-D27-ZS-KC	Bearings - Dental Applications . Precision: Abec 7 - ISC Japanese Dental Bearing	
3.175	6.350	2.779		7.518		ZS SR144A-D27-T9H-ZS-OPT	Bearings - Dental Applications . Precision: Abec 7 - Optimyn Germany Dental Special	
3.175	6.350	2.779		7.518	0.787	ZS SFR144A-D27-T9H-ZSO-OPT	Bearings - Ball - Flanged - High Precision - 440C Stainless . Precision: Abec 7 - Optimyn Germany Dental Special	
3.175 x 7.000 mm (0.125 x 0.276 in.)								
3.175	7.000	2.000				Open SMR7-032-TO-MC3-GR7-AF12	Bearings - Ball - High Precision - 440C Stainless	. Precision: Abec 7
3.175 x 7.938 mm (0.125 x 0.313 in.)								
3.175	7.938	3.571				Z SR2-5A-ZS-U7-D17-KC	Bearings - Dental Applications	. Precision: Abec 7
3.175	7.938	3.571				Z * SR2-5A-KC-Z-U7-D18	Bearings - Dental Applications	. Precision: Abec 7
3.175	7.938	3.571				Z * SR2-5A-KC-Z-U7-D16	Bearings - Dental Applications	. Precision: Abec 7
3.175 x 9.525 mm (0.125 x 0.375 in.)								
3.175	9.525	3.969				ZZ ** R2-T9H-ZZ-MC3-G36-E	Bearings - Ball - High Speed Cage European WIB/GRW. Precision: Abec 1	
3.969 x 7.938 mm (0.156 x 0.313 in.)								
3.969	7.938	3.175				Open * SR155A-KC-MC3-GR5	Bearings - Dental Applications	. Precision: Abec 5

Stocked or Short Delivery (up to 4 weeks)
 Usually 4-6 week delivery
 Long delivery or not in current production

* Large Minimum Quantities

** Available only while stock lasts

d	D	B	Bn	DF	BF	Part Number	Type
4.000 x 7.000 mm (0.157 x 0.276 in.)							
4.000	7.000	2.000				ZS SMR74-T4HB-MC3-ZS-GR5-AF12	Bearings - Ball - High Precision - 440C Stainless . Precision: Abec 5
4.000 x 8.000 mm (0.157 x 0.315 in.)							
4.000	8.000	2.000				Open * SMR84-T9H-MC3	Bearings - Ball - High Speed Cage . Precision: Abec 1
4.000	8.000	3.000				ZZ MR84A-T9H-ZZ-MC3	Bearings - Ball - High Speed Cage . Precision: Abec 1
4.000 x 13.000 mm (0.157 x 0.512 in.)							
4.000	13.000	5.000				Open * S624-T9H-D69	Bearings - Ball - High Speed Cage . Precision: Abec 1
5.000 x 10.000 mm (0.197 x 0.394 in.)							
5.000	10.000	4.000				ZZ MR105A-T9H-ZZ-MC3	Bearings - Ball - High Speed Cage . Precision: Abec 1
5.000 x 14.000 mm (0.197 x 0.551 in.)							
5.000	14.000	7.000				Open 305-T9H-2RS-ECO	Bearings - Ball - Double Row - Angular Contact - Chrome Steel . Precision: Abec 1
5.000 x 16.000 mm (0.197 x 0.630 in.)							
5.000	16.000	5.000				Open 625-T9H-ACO-ECO	Bearings - Ball - High Speed Cage . Precision: Economy
5.000 x 19.000 mm (0.197 x 0.748 in.)							
5.000	19.000	6.000				Open * 135-T9H	Bearings - Ball - Double Row - Self Aligning - Parallel Bore . Precision: Abec 1
6.000 x 12.000 mm (0.236 x 0.472 in.)							
6.000	12.000	4.000				ZZS ** SMR126A-T9H-ZZS-ECO	Bearings - Ball - High Speed Cage . Precision: Economy
6.000	12.000	4.000				ZZS MR126A-T9H-ZZS-MC3	Bearings - Ball - High Speed Cage . Precision: Abec 1
6.000 x 13.000 mm (0.236 x 0.512 in.)							
6.000	13.000	5.000				ZZ * S686B-TW-ZZ-ECO	Bearings - Ball - High Speed Cage . Precision: Economy
6.000 x 15.000 mm (0.236 x 0.591 in.)							
6.000	15.000	5.000				Open * 196-T9H	Bearings - Ball - Double Row - Self Aligning - Parallel Bore . Precision: Abec 1
6.000	15.000	5.000				ZZ 696-T9H-ZZ-ECO	Bearings - Ball - High Speed Cage . Precision: Economy
6.000 x 17.000 mm (0.236 x 0.669 in.)							
6.000	17.000	6.000				Open 706-30-T9H-DFLJP5	Bearings - Ball - Angular Contact - Chrome Steel . Precision: P5
6.000	17.000	9.000		25	2RB	** 306B-T9H-2RB-E	Bearings - Ball - Double Row - Angular Contact - Chrome Steel . Precision: Abec 1
6.350 x 15.875 mm (0.250 x 0.625 in.)							
6.350	15.875	4.978				Open R4-CSN-T9H-ACO-ECO	Bearings - Ball - Ceramic Hybrid . Precision: Abec 1
6.350	15.875	4.978				ZZ ** R4-T9H-ZZ-ECO	Bearings - Ball - High Speed Cage . Precision: Abec 1
6.350	15.875	4.978				ZZ SR4-T9H-ECO	Bearings - Ball - High Speed Cage . Precision: Abec 1
6.350	15.875	4.978				ZZ R4-T9H-ECO	Bearings - Ball - High Speed Cage . Precision: Abec 1
6.350	15.875	8.733				2RS * R4E-T9H-2RS-MC3	Bearings - Ball - High Speed Cage . Precision: Abec 1

Stocked or Short Delivery (up to 4 weeks)
 Usually 4-6 week delivery
 Long delivery or not in current production

* Large Minimum Quantities

** Available only while stock lasts

d	D	B	Bn	DF	BF	Part Number	Type	
6.350 x 15.875 mm (0.250 x 0.625 in.)								
6.350	15.875	8.733				ZZ * R4E-T9H-ZZ-MC3	Bearings - Ball - High Speed Cage	. Precision: Abec 1
7.000 x 14.000 mm (0.276 x 0.551 in.)								
7.000	14.000	5.000				ZZ ** S687A-ZZ-MC3-2OR	Bearings - Dental Applications	. Precision: Abec 1
7.000 x 17.000 mm (0.276 x 0.669 in.)								
7.000	17.000	5.000				2RU 697-T9H-2RU-ECO	Bearings - Ball - High Speed Cage	. Precision: Economy
7.000	17.000	5.000				Z S697-CSN-T4HB-Z-C1015-GRP5-AC	Bearings - Ball - Ceramic Hybrid	. Precision: P5
7.000	17.000	5.000				ZZ 697-T9H-ZZ-ECO	Bearings - Ball - High Speed Cage	. Precision: Economy
7.000 x 18.000 mm (0.276 x 0.709 in.)								
7.000	18.000	5.000				2RS SMR187-T9H-2RS-ECO	Bearings - Ball - High Speed Cage	. Precision: Economy
7.000	18.000	5.000				2RS SMR187-CSN-T9H-2RS-ECO	Bearings - Ball - Ceramic Hybrid	. Precision: Economy
7.000 x 19.000 mm (0.276 x 0.748 in.)								
7.000	19.000	6.000				2RU 607-CSN-T9H-2RU-ECO	Bearings - Ball - Ceramic Hybrid	. Precision: Economy
7.000	19.000	6.000				Open 607-T9H-C823	Bearings - Ball - High Speed Cage	. Precision: Abec 1
7.000	19.000	6.000				Open 607-CSN-T9H-ECO	Bearings - Ball - Ceramic Hybrid	. Precision: Economy
7.000	19.000	6.000				RB ** 607-T9H-RB-C823-AF12-E	Bearings - Ball - High Speed Cage	European WIB/GRW. Precision: Abec 1
7.000	19.000	6.000				Z 607-T9H-Z-C823-AF12-J	Bearings - Ball - High Speed Cage	. Precision: Abec 1
7.000	19.000	6.000				Z * 607-T9H-Z-C823-AF12-E	Bearings - Ball - High Speed Cage	European WIB/GRW. Precision: Abec 1
7.000 x 22.000 mm (0.276 x 0.866 in.)								
7.000	22.000	6.000				2RS * 627D-T9H-2RS-MC3-E	Bearings - Ball - High Speed Cage	European WIB/GRW. Precision: Abec 1
7.000	22.000	6.000				ZZ * 627D-T9H-ZZ-MC3-E	Bearings - Ball - High Speed Cage	European WIB/GRW. Precision: Abec 1
7.000	22.000	7.000				Open * 127-T9H	Bearings - Ball - Double Row - Self Aligning - Parallel Bore	. Precision: Abec 1
7.000	22.000	7.000				Z ** 627-T9H-Z-C823-E	Bearings - Ball - High Speed Cage	European WIB/GRW. Precision: Abec 1
8.000 x 14.000 mm (0.315 x 0.551 in.)								
8.000	14.000	4.000				ZZ MR148A-T9H-ZZ-MC3	Bearings - Ball - High Speed Cage	. Precision: Abec 1
8.000	14.000	4.000				ZZ ** SMR148A-T9H-ZZS-MC4-ACO-ECO	Bearings - Ball - High Speed Cage	. Precision: Abec 1
8.000 x 16.000 mm (0.315 x 0.630 in.)								
8.000	16.000	4.000				Open 688-T9H-ECO	Bearings - Ball - High Speed Cage	. Precision: Economy
8.000	16.000	4.000				Z * 688-T9H-Z-MC3-AF12	Bearings - Ball - High Speed Cage	. Precision: Abec 1
8.000	16.000	5.000				Z 688A-T9H-Z-ACO-ECO	Bearings - Ball - High Speed Cage	. Precision: Economy

Stocked or Short Delivery (up to 4 weeks)
 Usually 4-6 week delivery
 Long delivery or not in current production

* Large Minimum Quantities

** Available only while stock lasts

d	D	B	Bn	DF	BF	Part Number	Type
8.000 x 16.000 mm (0.315 x 0.630 in.)							
8.000	16.000	5.000				Z 688A-T9H-Z-C8-23-ACO	Bearings - Ball - High Speed Cage . Precision: Abec 1
8.000	16.000	5.000				ZZ 688A-T9H-ZZ-MC3	Bearings - Ball - High Speed Cage . Precision: Abec 1
8.000	16.000	5.000				ZZ S688A-TW-ZZ-MC3-AKB	Bearings - Ball - High Speed Cage . Precision: Abec 1
8.000	16.000	6.000				Open * S688B-T9H-MC3-GR3-G36	Bearings - Ball - High Speed Cage . Precision: Abec 3
8.000	16.000	6.000				ZZ * S688B-T9H-ZZ-MC3GR3-G36	Bearings - Ball - High Speed Cage . Precision: Abec 3
8.000 x 18.000 mm (0.315 x 0.709 in.)							
8.000	18.000	5.000				Open * DRSA-MR188-T9H	Bearings - Ball - Double Row - Self Aligning - Parallel Bore . Precision: Abec 1
8.000 x 19.000 mm (0.315 x 0.748 in.)							
8.000	19.000	6.000				2RU 698-CSN-T9H-2RU-ECO	Bearings - Ball - Ceramic Hybrid . Precision: Economy
8.000	19.000	6.000				Open 698-CSN-T9H-ECO	Bearings - Ball - Ceramic Hybrid . Precision: Economy
8.000	19.000	6.000				Open * 698-T9H-C823-AF12-E	Bearings - Ball - High Speed Cage European WIB/GRW. Precision: Abec 1
8.000	19.000	6.000				Z 698-T9H-Z-C823-AF12	Bearings - Ball - High Speed Cage . Precision: Abec 1
8.000	19.000	6.000				Z * 698-T9H-Z-C823-AF12-E	Bearings - Ball - High Speed Cage European WIB/GRW. Precision: Abec 1
8.000 x 22.000 mm (0.315 x 0.866 in.)							
8.000	22.000	7.000				2RS 608-CSN-T9H-2RS-ECO	Bearings - Ball - Ceramic Hybrid . Precision: Economy
8.000	22.000	7.000				2RS S608-CSN-T9H-2RS-ECO	Bearings - Ball - Ceramic Hybrid . Precision: Abec 1
8.000	22.000	7.000				2RU * 608-T9H-2RU-C8-23	Bearings - Ball - High Speed Cage European WIB/GRW. Precision: Abec 1
8.000	22.000	7.000				Open 708-30-T9H-DFMJP5	Bearings - Ball - Angular Contact - Chrome Steel . Precision: P5
8.000	22.000	7.000				Open 708-15-T9H-JP5	Bearings - Ball - Angular Contact - Chrome Steel . Precision: P5
8.000	22.000	7.000				Open 608-CSN-TW-ECO	Bearings - Ball - Ceramic Hybrid . Precision: Economy
8.000	22.000	7.000				Open 608-CSN-T9H-ECO	Bearings - Ball - Ceramic Hybrid . Precision: Economy
8.000	22.000	7.000				ZS ** 608-T9H-ZS-C823-AF12-E	Bearings - Ball - High Speed Cage European WIB/GRW. Precision: Abec 1
8.000	22.000	7.000				ZZ 608-CSN-T9H-ZZ-ECO	Bearings - Ball - Ceramic Hybrid . Precision: Economy
8.000	22.000	7.000				ZZS 608-T9H-ZZS-C823-AF12	Bearings - Ball - High Speed Cage European WIB/GRW. Precision: Abec 1
8.000	22.000	7.000				ZZS * S608-T9H-ZZ-C823-AF12	Bearings - Ball - High Speed Cage . Precision: Abec 1
8.000	22.000	7.000				ZZS * 608-T9H-ZZS-C823-AF12-E	Bearings - Ball - High Speed Cage European WIB/GRW. Precision: Abec 1
8.000	22.000	7.000	12.5 Extended One Side Only			RS W608-1-TW-RG-ECO	Bearings - Ball - WIR - Chrome Steel . Precision: Abec 1

Stocked or Short Delivery (up to 4 weeks)
 Usually 4-6 week delivery
 Long delivery or not in current production

* Large Minimum Quantities

** Available only while stock lasts

d	D	B	Bn	DF	BF	Part Number	Type
8.000 x 22.000 mm (0.315 x 0.866 in.)							
8.000	22.000	10.300	14.900			Open W608C-T9H-Z-ECO	Bearings - Ball - High Speed Cage . Precision: Economy
8.000	22.000	10.300	14.900			ZZ * W608C-T9H-ZZ-MC3	Bearings - Ball - High Speed Cage . Precision: Abec 1
8.000	22.000	11.000				2RB * 308B-T9H-2RB-E	Bearings - Ball - Double Row - Angular Contact - Chrome Steel . Precision: Abec 1
8.000	22.000	11.000				ZZ * 308B-T9H-ZZ-E	Bearings - Ball - Double Row - Angular Contact - Chrome Steel . Precision: Abec 1
9.000 x 17.000 mm (0.354 x 0.669 in.)							
9.000	17.000	5.000				Z 689A-T9H-Z-ECO	Bearings - Ball - High Speed Cage . Precision: Economy
9.000	17.000	5.000				Z 689A-T9H-2RU-ECO	Bearings - Ball - High Speed Cage . Precision: Economy
9.000	17.000	6.000				ZZ * S689B-TNH-ZZ-MC3GR3	Bearings - Ball - High Speed Cage . Precision: Abec 3
9.000 x 20.000 mm (0.354 x 0.787 in.)							
9.000	20.000	6.000				2RS S699-CSN-T9H-2RS-ECO	Bearings - Ball - Ceramic Hybrid . Precision: Abec 1
9.000	20.000	6.000				Open 699-CSN-T9H-ECO	Bearings - Ball - Ceramic Hybrid . Precision: Economy
9.000 x 22.000 mm (0.354 x 0.866 in.)							
9.000	22.000	7.000				Open MR229-CSN-T9H-ECO	Bearings - Ball - Ceramic Hybrid . Precision: Abec 1
9.000	22.000	7.000				Open MR229-T9H-ACO-ECO	Bearings - Ball - High Speed Cage . Precision: Economy
9.000	22.000	7.000				Z MR229-T9H-Z-ACO-ECO	Bearings - Ball - High Speed Cage . Precision: Economy
9.000 x 24.000 mm (0.354 x 0.945 in.)							
9.000	24.000	7.000				2RS ** S609-CSN-T9H-2RS-MC34	Bearings - Ball - Ceramic Hybrid . Precision: Economy
9.000	24.000	7.000				Z 609-T9H-Z-ACO-ECO	Bearings - Ball - High Speed Cage . Precision: Economy
9.000	24.000	7.000				Z ** 609-T9H-Z-C823-AF12-E	Bearings - Ball - High Speed Cage European WIB/GRW. Precision: Abec 1
9.000 x 26.000 mm (0.354 x 1.024 in.)							
9.000	26.000	8.000				Open * 629-T9H-C823-AF12-E	Bearings - Ball - High Speed Cage European WIB/GRW. Precision: Abec 1
9.000	26.000	8.000				Open * 129-T9H	Bearings - Ball - Double Row - Self Aligning - Parallel Bore . Precision: Abec 1
9.000	26.000	8.000				Z ** 629-T9H-Z-C823-AF12-E	Bearings - Ball - High Speed Cage European WIB/GRW. Precision: Abec 1
9.000	26.000	8.000				Z 629-T9H-ZACO-ECO	Bearings - Ball - High Speed Cage . Precision: Economy
9.525 x 22.225 mm (0.375 x 0.875 in.)							
9.525	22.225	5.537				Open R6-CSN-T9H-ECO	Bearings - Ball - Ceramic Hybrid . Precision: Abec 1
9.525	22.225	5.556				Open R6-T9H-ECO	Bearings - Ball - High Speed Cage . Precision: Abec 1
9.525	22.225	5.556				Open ** R6-T9H-C823-ACO-E	Bearings - Ball - High Speed Cage . Precision: Abec 1
9.525	22.225	7.142				2RS SR6A-CSN-T9H-2RY-M-ECO	Bearings - Ball - Ceramic Hybrid . Precision: Abec 5

Stocked or Short Delivery (up to 4 weeks)
 Usually 4-6 week delivery
 Long delivery or not in current production

* Large Minimum Quantities

** Available only while stock lasts

d	D	B	Bn	DF	BF	Part Number	Type
9.525 x 22.225 mm (0.375 x 0.875 in.)							
9.525	22.225	7.142				Open R6A-CSN-T9H-ECO	Bearings - Ball - Ceramic Hybrid . Precision: Abec 1
9.525	22.225	7.142				Z ** R6A-T9H-Z-C823-ACO-E	Bearings - Ball - High Speed Cage European WIB/GRW. Precision: Abec 1
9.525	22.225	7.142				Z R6A-T9H-ZACO-ECO	Bearings - Ball - High Speed Cage . Precision: Abec 1
9.525	22.225	7.142				Z R6A-CSN-T9H-Z-ECO	Bearings - Ball - Ceramic Hybrid . Precision: Abec 1
9.525	22.225	9.525				2RS * R6C-T9H-2RS-MC3	Bearings - Ball - High Speed Cage . Precision: Abec 1
9.525	22.225	9.525				ZZ * R6C-T9H-ZZ-MC3	Bearings - Ball - High Speed Cage . Precision: Abec 1
10.000 x 19.000 mm (0.394 x 0.748 in.)							
10.000	19.000	5.000				2RS * 6800-T9H-2RS	Bearings - Ball - High Speed Cage . Precision: Abec 1
10.000	19.000	5.000				2RU 6800-CSN-T9H-2RU-ECO	Bearings - Ball - Ceramic Hybrid . Precision: Economy
10.000	19.000	5.000				RU * 6800-T9H-RU-C3-E	Bearings - Ball - High Speed Cage European WIB/GRW. Precision: Abec 1
10.000 x 22.000 mm (0.394 x 0.866 in.)							
10.000	22.000	6.000				2RS * 6900-T9H-2RS	Bearings - Ball - High Speed Cage . Precision: Abec 1
10.000	22.000	6.000				2RU 6900-T9H-2RU-ECO	Bearings - Ball - High Speed Cage . Precision: Economy
10.000	22.000	6.000				Open 6900-T9H-ECO	Bearings - Ball - High Speed Cage . Precision: Economy
10.000	22.000	6.000				Open 6900-CSN-T9H-ECO	Bearings - Ball - Ceramic Hybrid . Precision: Economy
10.000	22.000	6.000				Open * 6900-T9H-C3-E	Bearings - Ball - High Speed Cage European WIB/GRW. Precision: Abec 1
10.000	22.000	6.000				Z * 6900-T9H-Z-C3-ACO	Bearings - Ball - High Speed Cage . Precision: Abec 1
10.000 x 23.000 mm (0.394 x 0.906 in.)							
10.000	23.000	7.000				Open * DRSA-MR2310-T9H	Bearings - Ball - Double Row - Self Aligning - Parallel Bore . Precision: Abec 1
10.000 x 26.000 mm (0.394 x 1.024 in.)							
10.000	26.000	8.000				2RS S6000-CSN-T9H-2RS-ECO	Bearings - Ball - Ceramic Hybrid . Precision: Abec 1
10.000	26.000	8.000				2RS * 6000-T9H-2RS-C3-E	Bearings - Ball - High Speed Cage European WIB/GRW. Precision: Abec 1
10.000	26.000	8.000				Open 6000-CSN-T9H-ECO	Bearings - Ball - Ceramic Hybrid . Precision: Economy
10.000	26.000	8.000				Open * 1000-T9H	Bearings - Ball - Double Row - Self Aligning - Parallel Bore . Precision: Abec 1
10.000	26.000	8.000				Z ** 6000-T9H-Z-C3-AF12-E	Bearings - Ball - High Speed Cage European WIB/GRW. Precision: Abec 1
10.000	26.000	12.000				2RS * 3000A-T9H-2RS	Bearings - Ball - Double Row - Angular Contact - Chrome Steel . Precision: Abec 1
10.000	26.000	12.000				ZZ * 3000A-T9H-ZZ	Bearings - Ball - Double Row - Angular Contact - Chrome Steel . Precision: Abec 1
10.000 x 30.000 mm (0.394 x 1.181 in.)							
10.000	30.000	9.000				Open ** 7200-30-T9HJP4	Bearings - Ball - Angular Contact - Chrome Steel . Precision: P4

Stocked or Short Delivery (up to 4 weeks)
 Usually 4-6 week delivery
 Long delivery or not in current production

* Large Minimum Quantities

** Available only while stock lasts

d	D	B	Bn	DF	BF	Part Number	Type
10.000 x 30.000 mm (0.394 x 1.181 in.)							
10.000	30.000	9.000				ZZS 6200-T9H-ZZS-ECO	Bearings - Ball - High Speed Cage . Precision: Economy
10.000 x 35.000 mm (0.394 x 1.378 in.)							
10.000	35.000	19.050				Open * 5300-T9H	Bearings - Ball - Double Row - Angular Contact - Chrome Steel . Precision: Abec 1
11.000 x 21.000 mm (0.433 x 0.827 in.)							
11.000	21.000	5.000				Open MR2111-T9H-ECO	Bearings - Ball - High Speed Cage . Precision: Abec 1
11.500 x 21.000 mm (0.453 x 0.827 in.)							
11.500	21.000	5.000				2RU SMR21-115-T9H-2RU-ECO	Bearings - Ball - High Speed Cage . Precision: Abec 1
11.500	21.000	5.000				2RU SMR21-115-CSN-T9H-2RU-ECO	Bearings - Ball - Ceramic Hybrid . Precision: Abec 1
12.000 x 18.000 mm (0.472 x 0.709 in.)							
12.000	18.000	4.000				ZZS * 6701-CSN-T9H-ZZS-ECO	Bearings - Ball - Ceramic Hybrid . Precision: Economy
12.000 x 21.000 mm (0.472 x 0.827 in.)							
12.000	21.000	5.000				2RS S6801-CSN-T9H-2RS-ECO	Bearings - Ball - Ceramic Hybrid . Precision: Abec 1
12.000	21.000	5.000				2RS * 6801-TNH-2RS	Bearings - Ball - High Speed Cage . Precision: Abec 1
12.000	21.000	5.000				Open 6801-T9H-ECO	Bearings - Ball - High Speed Cage . Precision: Economy
12.000	21.000	5.000				Z 6801-T9H-Z-ACO-ECO	Bearings - Ball - High Speed Cage . Precision: Economy
12.000 x 22.000 mm (0.472 x 0.866 in.)							
12.000	22.000	5.000				2RS SMR2212-T9H-2RS-ECO	Bearings - Ball - High Speed Cage . Precision: Abec 1
12.000	22.000	5.000				2RS SMR2212-CSN-T9H-2RS-ECO	Bearings - Ball - Ceramic Hybrid . Precision: Abec 1
12.000 x 24.000 mm (0.472 x 0.945 in.)							
12.000	24.000	6.000				2RS 6901-T9H-2RS-ECO	Bearings - Ball - High Speed Cage . Precision: Economy
12.000	24.000	6.000				2RS S6901-CSN-T9H-2RS-ECO	Bearings - Ball - Ceramic Hybrid . Precision: Abec 5
12.000	24.000	6.000				2RS * S6809-CSN-T9H-2RY-ECO	Bearings - Ball - Ceramic Hybrid . Precision: Abec 5
12.000	24.000	6.000				2RU 6901-CSN-T9H-2RU-ECO	Bearings - Ball - Ceramic Hybrid . Precision: Economy
12.000	24.000	6.000				RB ** 6901-T9H-RB-C3-AF12-E	Bearings - Ball - High Speed Cage European WIB/GRW. Precision: Abec 1
12.000	24.000	6.000				RB 6901-T9H-RB-ACO-ECO	Bearings - Ball - High Speed Cage . Precision: Economy
12.000	24.000	6.000				ZZ 6901-CSN-T9H-ZZ-ECO	Bearings - Ball - Ceramic Hybrid . Precision: Economy
12.000	24.000	6.000				ZZ * 6901-CSN-T9H-ZZ	Bearings - Ball - Ceramic Hybrid . Precision: Abec 1
12.000 x 28.000 mm (0.472 x 1.102 in.)							
12.000	28.000	7.000				2RU S6001B-CSN-T9H-2RU-ECO	Bearings - Ball - Ceramic Hybrid . Precision: Abec 1
12.000	28.000	7.000				2RU S6001B-T9H-2RU-ECO	Bearings - Ball - High Speed Cage . Precision: Abec 1

Stocked or Short Delivery (up to 4 weeks)
 Usually 4-6 week delivery
 Long delivery or not in current production

* Large Minimum Quantities

** Available only while stock lasts

d	D	B	Bn	DF	BF	Part Number	Type
12.000 x 28.000 mm (0.472 x 1.102 in.)							
12.000	28.000	7.000				Open 6001B-T9H-C3	Bearings - Ball - High Speed Cage . Precision: Abec 1
12.000	28.000	7.000				Open 6001B-CSN-T9H-ECO	Bearings - Ball - Ceramic Hybrid . Precision: Economy
12.000	28.000	8.000				2RS ** S6001-CSN-T9H-2RS	Bearings - Ball - Ceramic Hybrid . Precision: Abec 1
12.000	28.000	8.000				Open 7001-15-T9H-JP5	Bearings - Ball - Angular Contact - Chrome Steel . Precision: P5
12.000	28.000	8.000				Open ** 6001-T9H-C3-AF12-E	Bearings - Ball - High Speed Cage European WIB/GRW. Precision: Abec 1
12.000	28.000	8.000				Z 6001-T9H-Z-ACO-ECO	Bearings - Ball - High Speed Cage . Precision: Economy
12.000	28.000	8.000				Z * 6001-T9H-Z-C3-AF12-E	Bearings - Ball - High Speed Cage European WIB/GRW. Precision: Abec 1
12.000	28.000	8.000				ZZ 6001-CSN-T9H-ZZ-ECO	Bearings - Ball - Ceramic Hybrid . Precision: Economy
12.000	28.000	12.000	16.000			ZZ * W6001A-T9H-ZZ	Bearings - Ball - High Speed Cage . Precision: Abec 1
12.000 x 32.000 mm (0.472 x 1.260 in.)							
12.000	32.000	10.000				2RS 6201-CSN-T9H-2RS-ECO	Bearings - Ball - Ceramic Hybrid . Precision: Economy
12.000	32.000	10.000				ZZ ** 6201-T9H-ZZ-C3-AF12-E	Bearings - Ball - High Speed Cage European WIB/GRW. Precision: Abec 1
12.000	32.000	14.000				2RS * 2201-T9H-2RS-E	Bearings - Ball - Double Row - Self Aligning - Parallel Bore . Precision: Abec 1
12.000	32.000	15.900				Open * 3201-T9H	Bearings - Ball - Double Row - Angular Contact - Chrome Steel . Precision: Abec 1
12.700 x 28.575 mm (0.500 x 1.125 in.)							
12.700	28.575	6.350				Open R8-T9H-C3	Bearings - Ball - High Speed Cage . Precision: Abec 1
12.700	28.575	6.350				Open R8-CSN-T9H-ECO	Bearings - Ball - Ceramic Hybrid . Precision: Abec 1
12.700	28.575	7.938				Z * R8A-T9H-Z-C3	Bearings - Ball - High Speed Cage . Precision: Abec 1
13.000 x 24.000 mm (0.512 x 0.945 in.)							
13.000	24.000	6.000				Open MR2413-T9H-C3	Bearings - Ball - High Speed Cage . Precision: Abec 1
13.000	24.000	6.000				Open MR2413-CSN-T9H-ECO	Bearings - Ball - Ceramic Hybrid . Precision: Abec 1
13.000	24.000	6.000				ZZ MR2413-T9H-2RU-ECO	Bearings - Ball - High Speed Cage . Precision: Abec 1
13.000 x 25.000 mm (0.512 x 0.984 in.)							
13.000	25.000	6.000				Open MR2513-T9H-ECO	Bearings - Ball - High Speed Cage . Precision: Abec 1
13.000	25.000	6.000				Open MR2513-CSN-T9H-ECO	Bearings - Ball - Ceramic Hybrid . Precision: Abec 1
13.000 x 28.000 mm (0.512 x 1.102 in.)							
13.000	28.000	6.350				Open MR2813A-T9H-ECO	Bearings - Ball - High Speed Cage . Precision: Abec 1
13.000	28.000	6.350				Open MR2813A-CSN-T9H-ECO	Bearings - Ball - Ceramic Hybrid . Precision: Abec 1

Stocked or Short Delivery (up to 4 weeks)
 Usually 4-6 week delivery
 Long delivery or not in current production

* Large Minimum Quantities

** Available only while stock lasts

d	D	B	Bn	DF	BF	Part Number	Type	
14.000 x 24.000 mm (0.551 x 0.945 in.)								
14.000	24.000	6.000				Open MR2414-T9H-ECO	Bearings - Ball - High Speed Cage	. Precision: Abec 3
14.000 x 25.000 mm (0.551 x 0.984 in.)								
14.000	25.000	6.000				2RS SMR2514-T9H-2RS-ECO	Bearings - Ball - High Speed Cage	. Precision: Abec 1
14.000	25.000	6.000				Open MR2514-T9H-C3	Bearings - Ball - High Speed Cage	. Precision: Abec 1
14.000	25.000	6.000				Open MR2514-CSN-T9H-ECO	Bearings - Ball - Ceramic Hybrid	. Precision: Abec 1
14.000 x 25.400 mm (0.551 x 1.000 in.)								
14.000	25.400	6.000				2RU MR254-14-CSN-S-T9H-2RU-ECO	Bearings - Ball - Ceramic Hybrid	. Precision: Abec 1
14.000	25.400	6.000				2RU MR254-14-CSN-T9H-2RU-ECO	Bearings - Ball - Ceramic Hybrid	. Precision: Abec 1
14.000	25.400	6.000				Open MR254-14-CSN-S-T9H-ECO	Bearings - Ball - Ceramic Hybrid	. Precision: Abec 1
14.000	25.400	6.000				Open MR254-14-T9H-ECO	Bearings - Ball - High Speed Cage	. Precision: Abec 1
14.000 x 25.800 mm (0.551 x 1.016 in.)								
14.000	25.800	6.000				2RU SMR258-14-T9H-2RU-ECO	Bearings - Ball - High Speed Cage	. Precision: Abec 1
14.500 x 26.000 mm (0.571 x 1.024 in.)								
14.500	26.000	6.000				2RU SMR26-145-T9H-2RU-ECO	Bearings - Ball - High Speed Cage	. Precision: Abec 1
15.000 x 24.000 mm (0.591 x 0.945 in.)								
15.000	24.000	5.000				2RS S6802-CSN-T9H-2RS-ECO	Bearings - Ball - Ceramic Hybrid	. Precision: Abec 1
15.000	24.000	7.000				2RS * 6802B-T9H-2RS	Bearings - Ball - High Speed Cage	. Precision: Abec 1
15.000 x 26.000 mm (0.591 x 1.024 in.)								
15.000	26.000	7.000				2RU SMR2615-CSN-T9H-2RU-ECO	Bearings - Ball - Ceramic Hybrid	. Precision: Abec 1
15.000	26.000	7.000				T9H CZRMR2615-T9H-TTS-C3-DRY	Bearings - Ceramic ZrO2 - Radial	. Precision: Abec 1
15.000	26.000	7.000				T9H * CZRMR2615-T9H-TTS-C3-SRL	Bearings - Ceramic ZrO2 - Radial	. Precision: Abec 1
15.000	26.000	8.000				2RS SMR2615A-CSN-T9H-2RS-ECO	Bearings - Ball - Ceramic Hybrid	. Precision: Abec 1
15.000 x 28.000 mm (0.591 x 1.102 in.)								
15.000	28.000	7.000				2RB * 6902-T9H-2RB-C3-AF12-E	Bearings - Ball - High Speed Cage	European WIB/GRW. Precision: Abec 1
15.000	28.000	7.000				2RS S6902-CSN-T9H-2RS-ECO	Bearings - Ball - Ceramic Hybrid	. Precision: Abec 5
15.000	28.000	7.000				2RU 6902-CSN-T9H-2RU-ECO	Bearings - Ball - Ceramic Hybrid	. Precision: Economy
15.000	28.000	7.000				Open 6902-T9H-ECO	Bearings - Ball - High Speed Cage	. Precision: Economy
15.000	28.000	7.000				ZZ 6902-T9H-ZZ-ECO	Bearings - Ball - High Speed Cage	. Precision: Economy
15.000 x 28.575 mm (0.591 x 1.125 in.)								
15.000	28.575	6.350				Open MR28575-15-T9H-ECO	Bearings - Ball - High Speed Cage	. Precision: Abec 1

Stocked or Short Delivery (up to 4 weeks)
 Usually 4-6 week delivery
 Long delivery or not in current production

* Large Minimum Quantities

** Available only while stock lasts

d	D	B	Bn	DF	BF	Part Number	Type	
15.000 x 28.575 mm (0.591 x 1.125 in.)								
15.000	28.575	6.350				Open MR28575-15-CSN-T9H-ECO	Bearings - Ball - Ceramic Hybrid	. Precision: Abec 1
15.000 x 32.000 mm (0.591 x 1.260 in.)								
15.000	32.000	8.000				Open 6002A-T9H-ECO	Bearings - Ball - High Speed Cage	. Precision: Economy
15.000	32.000	8.000				Open 6002A-CSN-T9H-ECO	Bearings - Ball - Ceramic Hybrid	. Precision: Economy
15.000	32.000	8.000				Open * 6002A-T9H-C3-E	Bearings - Ball - High Speed Cage European WIB/GRW. Precision: Abec 1	
15.000	32.000	9.000				2RU 6002-T9H-2RU-ECO	Bearings - Ball - High Speed Cage	. Precision: Economy
15.000	32.000	9.000				2YS S6002-CSN-T9H-2RY-ECO	Bearings - Ball - Ceramic Hybrid	. Precision: Abec 1
15.000	32.000	9.000				Open 6002-CSN-T9H-ECO	Bearings - Ball - Ceramic Hybrid	. Precision: Economy
15.000	32.000	9.000				Open * 7002-15-T9H-JP4	Bearings - Ball - Angular Contact - Chrome Steel	. Precision: P4
15.000	32.000	9.000				Z 6002-T9H-Z-C3-AF12	Bearings - Ball - High Speed Cage	. Precision: Abec 1
15.000	32.000	9.000				Z ** 6002-T9H-Z-C3-AF12-E	Bearings - Ball - High Speed Cage European WIB/GRW. Precision: Abec 1	
15.000	32.000	9.000				ZZ * 6002-T9H-ZZ-C3	Bearings - Ball - High Speed Cage European WIB/GRW. Precision: Abec 1	
15.000 x 35.000 mm (0.591 x 1.378 in.)								
15.000	35.000	9.000		500	Track Roller, Single Row	2RS * SPH-6202B-T9H-2RS-500	Bearings - Spherical OD	. Precision: 19200
15.000	35.000	9.000		500	Track Roller, Single Row	Open * SPH-6202B-T9H-500	Bearings - Spherical OD	. Precision: 24000
15.000	35.000	9.000		500	Track Roller, Single Row	ZZ * SPH-6202B-T9H-ZZ-500	Bearings - Spherical OD	. Precision: 24000
15.000	35.000	11.000				2RS S6202-CSN-T9H-2RS-ECO	Bearings - Ball - Ceramic Hybrid	. Precision: Abec 3
15.000	35.000	11.000				Open ** S6202-CSN-T9H-DRY	Bearings - Ball - Ceramic Hybrid	. Precision: Abec 1
15.000	35.000	11.000				Open 6202-CSN-T9H-C4-AF12	Bearings - Ball - Ceramic Hybrid	. Precision: Abec 1
15.000	35.000	11.000				Open ** 7202-15-T9H-SULJP4	Bearings - Ball - Angular Contact - Chrome Steel	. Precision: P4
15.000	35.000	11.000				Z 6202-T9H-Z-ACO-ECO	Bearings - Ball - High Speed Cage	. Precision: Economy
15.000	35.000	15.900				Open * 3202A-T9H	Bearings - Ball - Double Row - Angular Contact - Chrome Steel	. Precision: Abec 1
15.000 x 40.000 mm (0.591 x 1.575 in.)								
15.000	40.000	11.000				ZZ * MR4015B-T9H-ZZ	Bearings - Ball - Chrome Steel	. Precision: Abec 1
15.000 x 42.000 mm (0.591 x 1.654 in.)								
15.000	42.000	13.000				2RS S6302-CSN-T9H-2RS-ECO	Bearings - Ball - Ceramic Hybrid	. Precision: Abec 3

Stocked or Short Delivery (up to 4 weeks)
 Usually 4-6 week delivery
 Long delivery or not in current production

* Large Minimum Quantities

** Available only while stock lasts

d	D	B	Bn	DF	BF	Part Number	Type	
16.000 x 30.000 mm (0.630 x 1.181 in.)								
16.000	30.000	7.000				Open MR3016A-T9H-ECO	Bearings - Ball - High Speed Cage	. Precision: Abec 1
16.000 x 35.000 mm (0.630 x 1.378 in.)								
16.000	35.000	11.000				ZZ MR3516-T9H-ZZ-ECO	Bearings - Ball - High Speed Cage	. Precision: Abec 1
17.000 x 26.000 mm (0.669 x 1.024 in.)								
17.000	26.000	5.000				2RS S6803-CSN-T9H-2RS-ECO	Bearings - Ball - Ceramic Hybrid	. Precision: Abec 1
17.000	26.000	5.000				2YS S6803-CSN-T9H-2RY-ECO	Bearings - Ball - Ceramic Hybrid	. Precision: Abec 1
17.000	26.000	5.000				Open 6803-CSN-T9H-ECO	Bearings - Ball - Ceramic Hybrid	. Precision: Economy
17.000 x 28.000 mm (0.669 x 1.102 in.)								
17.000	28.000	7.000				2YS SMR2817-CSN-T9H-2RY-ECO	Bearings - Ball - Ceramic Hybrid	. Precision: Abec 1
17.000	28.000	7.000				ZZ * SMR2817-CSN-T9H-ZZ-C3	Bearings - Ball - Ceramic Hybrid	. Precision: Abec 1
17.000 x 30.000 mm (0.669 x 1.181 in.)								
17.000	30.000	7.000				2RS S6903-CSN-T9H-2RS	Bearings - Ball - Ceramic Hybrid	. Precision: Abec 1
17.000	30.000	7.000				2RU 6903-T9H-2RS-ECO	Bearings - Ball - High Speed Cage	. Precision: Economy
17.000	30.000	7.000				Open 6903-T9H-C3-ACO	Bearings - Ball - High Speed Cage	. Precision: Abec 1
17.000 x 32.000 mm (0.669 x 1.260 in.)								
17.000	32.000	7.000				Open MR3217-T9H-ECO	Bearings - Ball - High Speed Cage	. Precision: Abec 1
17.000	32.000	7.000				Open MR3217-CSN-T9H-ECO	Bearings - Ball - Ceramic Hybrid	. Precision: Abec 1
17.000	32.000	8.000				Open MR3217A-T9H-C3-AF12	Bearings - Ball - High Speed Cage	. Precision: Abec 1
17.000 x 35.000 mm (0.669 x 1.378 in.)								
17.000	35.000	8.000				Open 6003A-CSN-T9H-ECO	Bearings - Ball - Ceramic Hybrid	. Precision: Economy
17.000	35.000	10.000				Open S6003-CSN-T9H-2RS-ECO	Bearings - Ball - Ceramic Hybrid	. Precision: Abec 1
17.000	35.000	10.000				Z 6003-T9H-Z-C3-AF12	Bearings - Ball - High Speed Cage	. Precision: Abec 1
17.000	35.000	10.000				Z * 6003-T9H-Z-C3-AF12-E	Bearings - Ball - High Speed Cage European WIB/GRW. Precision: Abec 1	
17.000 x 40.000 mm (0.669 x 1.575 in.)								
17.000	40.000	12.000				2RS S6203-CSN-T9H-2RS-ECO	Bearings - Ball - Ceramic Hybrid	. Precision: Abec 3
17.000	40.000	12.000				2RS 6203-CSN-T9H-2RS	Bearings - Ball - Ceramic Hybrid	. Precision: Abec 1
17.000	40.000	12.000				Open ** 7203-15-T9H-DBLJP4	Bearings - Ball - Angular Contact - Chrome Steel	. Precision: P4
17.000	40.000	17.500				2RS S5203-T9H-2RS	Bearings - Ball - Double Row - Angular Contact - Stainless Steel	. Precision: Abec 1
20.000 x 32.000 mm (0.787 x 1.260 in.)								
20.000	32.000	7.000				2RS S6804-CSN-T9H-2RS-ECO	Bearings - Ball - Ceramic Hybrid	. Precision: Abec 1

Stocked or Short Delivery (up to 4 weeks)
 Usually 4-6 week delivery
 Long delivery or not in current production

* Large Minimum Quantities

** Available only while stock lasts

d	D	B	Bn	DF	BF	Part Number	Type	
20.000 x 37.000 mm (0.787 x 1.457 in.)								
20.000	37.000	9.000				2RS S6904-CSN-T9H-2RS-ECO	Bearings - Ball - Ceramic Hybrid	. Precision: Abec 5
20.000	37.000	9.000				Open 6904-CSN-T9H-ECO	Bearings - Ball - Ceramic Hybrid	. Precision: Economy
20.000 x 42.000 mm (0.787 x 1.654 in.)								
20.000	42.000	12.000				Z 6004-T9H-Z-ACO-ECO	Bearings - Ball - High Speed Cage	. Precision: Economy
20.000 x 47.000 mm (0.787 x 1.850 in.)								
20.000	47.000	14.000				2RS S6204-CSN-T9H-2RS-ECO	Bearings - Ball - Ceramic Hybrid	. Precision: Abec 3
20.000	47.000	14.000				Open ** 7204-15-T9H-DBLJP4	Bearings - Ball - Angular Contact - Chrome Steel	. Precision: P4
20.000 x 52.000 mm (0.787 x 2.047 in.)								
20.000	52.000	15.000				2RS S6304-CSN-T9H-2RS-ECO	Bearings - Ball - Ceramic Hybrid	. Precision: Abec 3
22.000 x 37.000 mm (0.866 x 1.457 in.)								
22.000	37.000	9.000				2RS SMR3722-T9H-2RY-ECO	Bearings - Ball - Ceramic Hybrid	. Precision:
25.000 x 37.000 mm (0.984 x 1.457 in.)								
25.000	37.000	6.000				2RS S6805D-CSN-T9H-2RS-ECO	Bearings - Ball - Ceramic Hybrid	. Precision: Abec 5
25.000	37.000	7.000				2RS S6805-CSN-T9H-2RS-ECO	Bearings - Ball - Ceramic Hybrid	. Precision: Abec 1
25.000 x 47.000 mm (0.984 x 1.850 in.)								
25.000	47.000	12.000				2RS S6005-T9H-2RS-ECO	Bearings - Ball - Ceramic Hybrid	. Precision: Abec 3
25.000	47.000	12.000				2RS S6005-CSN-T9H-2RS-ECO	Bearings - Ball - Ceramic Hybrid	. Precision: Abec 3
25.000	47.000	12.000				Open ** 7005-15-T9H-DULJP4	Bearings - Ball - Angular Contact - Chrome Steel	. Precision: P4
25.000 x 52.000 mm (0.984 x 2.047 in.)								
25.000	52.000	15.000				2RS S6205-CSN-T9H-2RS-ECO	Bearings - Ball - Ceramic Hybrid	. Precision: Abec 3
25.000	52.000	15.000				Open ** 7205-15-T9H-DBLJP4	Bearings - Ball - Angular Contact - Chrome Steel	. Precision: P4
25.000 x 62.000 mm (0.984 x 2.441 in.)								
25.000	62.000	17.000				2RS S6305-CSN-T9H-2RS-ECO	Bearings - Ball - Ceramic Hybrid	. Precision: Abec 1
30.000 x 42.000 mm (1.181 x 1.654 in.)								
30.000	42.000	7.000				2RS S6806-CSN-T9H-2RS-ECO	Bearings - Ball - Ceramic Hybrid	. Precision: Abec 1
30.000 x 55.000 mm (1.181 x 2.165 in.)								
30.000	55.000	13.000				Open 7006-15-T9H-DULJP4	Bearings - Ball - Angular Contact - Chrome Steel	. Precision: P4
30.000 x 62.000 mm (1.181 x 2.441 in.)								
30.000	62.000	16.000				2RS S6206-CSN-T9H-2RY-ECO	Bearings - Ball - Ceramic Hybrid	. Precision: Abec 3

Stocked or Short Delivery (up to 4 weeks)
 Usually 4-6 week delivery
 Long delivery or not in current production

* Large Minimum Quantities

** Available only while stock lasts

Tips

If typing the links into your web browser manually, please ensure you type the FULL link including the / at the end to avoid display errors

Bearing Failure - Bearing Material Selection - Bearing Speed - Clearances
Precision - Measuring Small Parts

<http://www.minibearings.com.au/catalogue/info/>

Miniature Bearing Cross Reference - Prefix and Suffix Listing

<http://www.minibearings.com.au/catalogue/charts/>

Commonly Used Lubricants

Grease

G5: Beacon 325
G9: Andok C
G21: Shell Aeroshell No 7
G36: Mobil 28 EP
G39: Dow Corning 33 Light
G42: Dupont Krytox 240AC
G43: GE Versilube G300
G47: Shell Aeroshell 15A
G48: Shell Alvania RS
G58: Kluber Isoflex LDS 18 Special A
G84: Kluber Asonic GHY72
G341: Texaco Low Temp EP

Oil

L0: Shell Aeroshell Fluid 2
L2: Kluber Isoflex PDP38
L6: GE Versilube F50
L21: Lehigh Chemical Anderol L401D
L23: Anderson Windsorube L245X
L45: Shell Aeroshell Fluid 3
L58: Nycolube 11B MIL L6085A

AF12: Old designation for L0



Distributed By

Miniature Bearings Australia
<http://www.minibearings.com.au>
sales@minibearings.com.au

Resellers: Please place your contact sticker over our details

Avoid verbal communication

We sell an extensive range of products with varying amounts of technical data. Please assist us to provide you with accurate information by placing your orders and enquiries online or by e-mail.

High Speed Cage Ball Bearings