

MBA

2020

Ball Lock Pins

and Receptacles (Page 53)



Also known as detent pins, ball lock pins serve a similar purpose to clevis pins with the added benefit of quick release and insertion.

They come in carbon steel and stainless steel with a variety of head styles.

The simplest type just require pulling to release, whilst locking types require a button to be depressed in order to release.

Type the part number from this catalogue into the search box on any web page for delivery, stock levels and pricing.

Prefixes and Suffixes

BLP - 048 - 0127 - K1 - C

1 2 3 4 5

1. Product Identifier:

BLP: Ball Lock Pin

2. Pin Diameter Code:

Pin diameter in mm to 3 digits and 1 decimal place with decimal point removed.
ie, 048 = 4.76mm, 095 = 9.525mm, 100 = 10mm

3. Grip Length Code:

Grip length (to top of ball) in mm to 4 digits and 1 decimal place with the decimal point removed.
ie, 0127 = 12.7mm, 1016 = 101.6mm or 4 inches

4. Style:

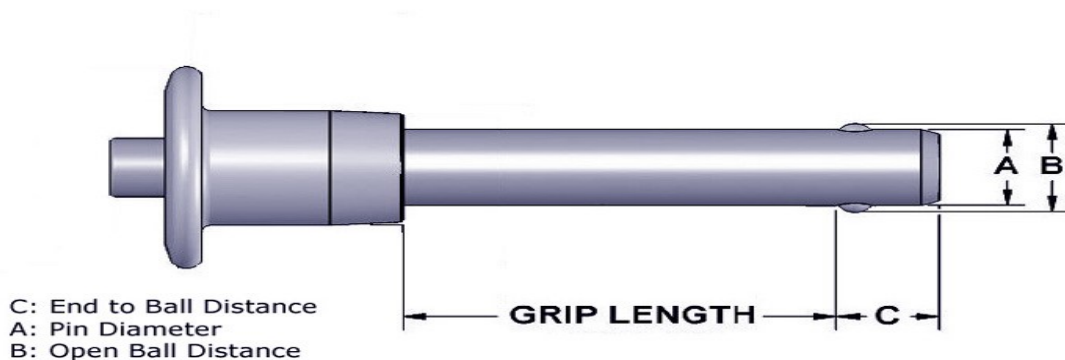
BL: Ball Handle	RH: Ring Handle Industrial
BT: Button Handle	SHK: Shackle Style
DL: Double Acting L Style Handle	RSH: Ring Style Shouldered
DR: Double Acting Ring Handle	TSH: Tee Handle Shouldered
DT: Double Acting Tee Handle	TC: Tee Handle Commercial
HTI: High Tension Industrial	TI: Tee Handle Industrial
K1: Keyring Style - 1 Ball Plain Shank	THD: Tee Handle Heavy Duty
K2: Keyring Style - 2 Balls and Shoulder	THR: Threaded End (Add your own knob)
LI: L Style Industrial Handle	Blank: Basic Clevis Pin Style
MHR: Marine Stle Half Ring	
MRE: Marine Stle Recessed Head	

5. Material:

C: Carbon Steel
S17: Stainless Steel 17-4 PH
S3: Stainless Steel 303
S4: Stainless Steel 304
S6: Stainless Steel 316

These are just some of the most commonly used suffixes. Please refer to MBA for information on suffixes not listed.

Example Diagram



Only the most common diagrams are shown. Other types are also listed in this catalogue.

Ball Lock Pins

Nominal Pin Dia. A (mm)	Grip Length (mm)	End Distance C (mm)	Open Ball Distance B (mm)	
4.76 x 6.35 mm (0.19 x 0.25 in.)				
4.76	6.35	6.60	5.59	304 Stainless Steel: Marine Style - Recessed Head Part Number: * BLP-048-0064-MRE-S4
4.76	6.35	5.08	5.18	316 Stainless Steel: Keyring Style - 316 Stainless Steel Part Number: * BLP-048-0064-K1-S6
4.76	6.35	5.08	5.18	304 Stainless Steel: Keyring Style - 303/304 Stainless Steel Part Number: * BLP-048-0064-K2-S4
4.76 x 12.70 mm (0.19 x 0.50 in.)				
4.76	12.70	6.60	5.58	304 Stainless Steel: Marine Style - Half Ring Part Number: * BLP-048-0127-MHR-S4
4.76	12.70	6.60	5.59	304 Stainless Steel: Marine Style - Recessed Head Part Number: BLP-048-0127-MRE-S4
4.76	12.70	5.08	5.18	Carbon Steel: Keyring Style - Steel Part Number: BLP-048-0127-K1-C
4.76	12.70	5.18	5.08	Carbon Steel: Shoulder Type - T Handle Part Number: BLP-048-0127-TSH-C
4.76	12.70	5.18	5.08	Carbon Steel: Shoulder Type - Ring Handle Part Number: BLP-048-0127-RSH-C
4.76	12.70	6.60	5.58	Aluminium and Carbon Steel: T-Handle - Industrial - Steel and Aluminium Part Number: * BLP-048-0127-TI-AC
4.76	12.70	6.60	5.58	Carbon Steel: Button Handle - Steel Part Number: BLP-048-0127-BT-C
4.76	12.70	6.60	5.58	17-4 PH Stainless Steel: T-Handle - Industrial - Stainless Steel Part Number: BLP-048-0127-TI-S17
4.76	12.70	6.60	5.58	Carbon Steel: Ring Handle - Industrial - Steel Part Number: * BLP-048-0127-RHI-C
4.76	12.70	6.60	5.58	17-4 PH Stainless Steel: Button Handle - Stainless Steel Part Number: BLP-048-0127-BT-S17
4.76	12.70	6.60	5.59	17-4 PH Stainless Steel: Double Acting - Ring Handle - Stainless Steel Part Number: BLP-048-0127-DR-S17
4.76	12.70	6.60	5.59	17-4 PH Stainless Steel: Double Acting - T-Handle - Stainless Steel Part Number: BLP-048-0127-DT-S17
4.76	12.70			303 Stainless Steel: Threaded End - Stainless Steel Part Number: BLP-048-0127-THR-S3
4.76	12.70	5.08	5.18	303 Stainless Steel: Keyring Style - 303/304 Stainless Steel Part Number: BLP-048-0127-K1-S3
4.76	12.70	5.08	5.18	316 Stainless Steel: Keyring Style - 316 Stainless Steel Part Number: * BLP-048-0127-K1-S6
4.76	12.70	5.08	5.18	304 Stainless Steel: Keyring Style - 303/304 Stainless Steel Part Number: BLP-048-0127-K2-S4
4.76 x 19.05 mm (0.19 x 0.75 in.)				
4.76	19.05	6.60	5.58	304 Stainless Steel: Marine Style - Half Ring Part Number: * BLP-048-0191-MHR-S4
4.76	19.05	6.60	5.59	304 Stainless Steel: Marine Style - Recessed Head Part Number: * BLP-048-0191-MRE-S4
4.76	19.05	6.60	5.58	17-4 PH Stainless Steel: Button Handle - Stainless Steel Part Number: BLP-048-0191-BT-S17
4.76	19.05	5.08	5.18	316 Stainless Steel: Keyring Style - 316 Stainless Steel Part Number: * BLP-048-0191-K1-S6
4.76	19.05	5.08	5.18	304 Stainless Steel: Keyring Style - 303/304 Stainless Steel Part Number: BLP-048-0191-K2-S4
4.76 x 20.32 mm (0.19 x 0.80 in.)				
4.76	20.32	5.08	5.18	Carbon Steel: Keyring Style - Steel Part Number: BLP-048-0203-K1-C
4.76	20.32	5.08	5.18	303 Stainless Steel: Keyring Style - 303/304 Stainless Steel Part Number: BLP-048-0203-K1-S3
4.76 x 25.40 mm (0.19 x 1.00 in.)				
4.76	25.40	6.60	5.58	304 Stainless Steel: Marine Style - Half Ring Part Number: * BLP-048-0254-MHR-S4
4.76	25.40	6.60	5.59	304 Stainless Steel: Marine Style - Recessed Head Part Number: BLP-048-0254-MRE-S4

Stocked or Short Delivery (up to 4 weeks)
 Usually 4-6 week delivery
 Long delivery or not in current production

* Large Minimum Quantities

** Available only while stock lasts

Ball Lock Pins

Nominal Pin Dia. A (mm)	Grip Length (mm)	End Distance C (mm)	Open Ball Distance B (mm)	
4.76 x 25.40 mm		<i>(0.19 x 1.00 in.)</i>		
4.76	25.40	5.08	5.18	Carbon Steel: Keyring Style - Steel Part Number: BLP-048-0254-K1-C
4.76	25.40	5.18	5.08	Carbon Steel: Shoulder Type - T Handle Part Number: BLP-048-0254-TSH-C
4.76	25.40	5.18	5.08	Carbon Steel: Shoulder Type - Ring Handle Part Number: BLP-048-0254-RSH-C
4.76	25.40	6.60	5.58	Aluminium and Carbon Steel: T-Handle - Industrial - Steel and Aluminium Part Number: * BLP-048-0254-TI-AC
4.76	25.40	6.60	5.58	17-4 PH Stainless Steel: T-Handle - Industrial - Stainless Steel Part Number: BLP-048-0254-TI-S17
4.76	25.40	6.60	5.58	Carbon Steel: Button Handle - Steel Part Number: * BLP-048-0254-BT-C
4.76	25.40	6.60	5.58	Carbon steel with aluminium handle, stainless ball and ring.: L-Handle - Industrial - Steel Part Number: * BLP-048-0254-LI-C
4.76	25.40	6.60	5.58	17-4 PH Stainless Steel: Ring Handle - Industrial - Stainless Steel Part Number: BLP-048-0254-RHI-S17
4.76	25.40	6.60	5.58	17-4 PH Stainless Steel: Button Handle - Stainless Steel Part Number: BLP-048-0254-BT-S17
4.76	25.40	6.60	5.59	17-4 PH Stainless Steel: L-Handle - Industrial - Stainless Steel Part Number: BLP-048-0254-LI-S17
4.76	25.40	6.60	5.59	17-4 PH Stainless Steel: Double Acting - Ring Handle - Stainless Steel Part Number: BLP-048-0254-DR-S17
4.76	25.40	6.60	5.59	17-4 PH Stainless Steel: Double Acting - T-Handle - Stainless Steel Part Number: BLP-048-0254-DT-S17
4.76	25.40			303 Stainless Steel: Threaded End - Stainless Steel Part Number: BLP-048-0254-THR-S3
4.76	25.40	5.08	5.18	316 Stainless Steel: Keyring Style - 316 Stainless Steel Part Number: BLP-048-0254-K1-S6
4.76	25.40	5.08	5.18	303 Stainless Steel: Keyring Style - 303/304 Stainless Steel Part Number: BLP-048-0254-K1-S3
4.76	25.40	5.08	5.18	304 Stainless Steel: Keyring Style - 303/304 Stainless Steel Part Number: BLP-048-0254-K2-S4
4.76 x 31.75 mm		<i>(0.19 x 1.25 in.)</i>		
4.76	31.75	6.60	5.58	304 Stainless Steel: Marine Style - Half Ring Part Number: * BLP-048-0318-MHR-S4
4.76	31.75	6.60	5.59	304 Stainless Steel: Marine Style - Recessed Head Part Number: BLP-048-0318-MRE-S4
4.76	31.75	6.60	5.58	Carbon Steel: Button Handle - Steel Part Number: * BLP-048-0318-BT-C
4.76	31.75	6.60	5.58	17-4 PH Stainless Steel: Ring Handle - Industrial - Stainless Steel Part Number: BLP-048-0318-RHI-S17
4.76	31.75	6.60	5.58	Carbon Steel: Ring Handle - Industrial - Steel Part Number: * BLP-048-0318-RHI-C
4.76	31.75	6.60	5.58	17-4 PH Stainless Steel: Button Handle - Stainless Steel Part Number: BLP-048-0318-BT-S17
4.76	31.75	5.08	5.18	316 Stainless Steel: Keyring Style - 316 Stainless Steel Part Number: * BLP-048-0318-K1-S6
4.76	31.75	5.08	5.18	304 Stainless Steel: Keyring Style - 303/304 Stainless Steel Part Number: BLP-048-0318-K2-S4
4.76 x 33.02 mm		<i>(0.19 x 1.30 in.)</i>		
4.76	33.02	5.08	5.18	Carbon Steel: Keyring Style - Steel Part Number: BLP-048-0330-K1-C
4.76	33.02	5.08	5.18	303 Stainless Steel: Keyring Style - 303/304 Stainless Steel Part Number: BLP-048-0330-K1-S3
4.76 x 38.10 mm		<i>(0.19 x 1.50 in.)</i>		
4.76	38.10	6.60	5.58	304 Stainless Steel: Marine Style - Half Ring Part Number: * BLP-048-0381-MHR-S4
4.76	38.10	6.60	5.59	304 Stainless Steel: Marine Style - Recessed Head Part Number: * BLP-048-0381-MRE-S4

Stocked or Short Delivery (up to 4 weeks)
 Usually 4-6 week delivery
 Long delivery or not in current production

* Large Minimum Quantities

** Available only while stock lasts

Ball Lock Pins

Nominal Pin Dia. A (mm)	Grip Length (mm)	End Distance C (mm)	Open Ball Distance B (mm)	
4.76 x 38.10 mm		<i>(0.19 x 1.50 in.)</i>		
4.76	38.10	5.08	5.18	Carbon Steel: Keyring Style - Steel Part Number: BLP-048-0381-K1-C
4.76	38.10	5.18	5.08	Carbon Steel: Shoulder Type - T Handle Part Number: BLP-048-0381-TSH-C
4.76	38.10	5.18	5.08	Carbon Steel: Shoulder Type - Ring Handle Part Number: BLP-048-0381-RSH-C
4.76	38.10	6.60	5.58	Aluminium and Carbon Steel: T-Handle - Industrial - Steel and Aluminium Part Number: * BLP-048-0381-TI-AC
4.76	38.10	6.60	5.58	17-4 PH Stainless Steel: T-Handle - Industrial - Stainless Steel Part Number: BLP-048-0381-TI-S17
4.76	38.10	6.60	5.58	Carbon steel with aluminium handle, stainless ball and ring.: L-Handle - Industrial - Steel Part Number: * BLP-048-0381-LI-C
4.76	38.10	6.60	5.58	17-4 PH Stainless Steel: Button Handle - Stainless Steel Part Number: BLP-048-0381-BT-S17
4.76	38.10	6.60	5.59	17-4 PH Stainless Steel: L-Handle - Industrial - Stainless Steel Part Number: BLP-048-0381-LI-S17
4.76	38.10	6.60	5.59	17-4 PH Stainless Steel: Double Acting - T-Handle - Stainless Steel Part Number: BLP-048-0381-DT-S17
4.76	38.10			303 Stainless Steel: Threaded End - Stainless Steel Part Number: BLP-048-0381-THR-S3
4.76	38.10	5.08	5.18	303 Stainless Steel: Keyring Style - 303/304 Stainless Steel Part Number: BLP-048-0381-K1-S3
4.76	38.10	5.08	5.18	316 Stainless Steel: Keyring Style - 316 Stainless Steel Part Number: BLP-048-0381-K1-S6
4.76	38.10	5.08	5.18	304 Stainless Steel: Keyring Style - 303/304 Stainless Steel Part Number: BLP-048-0381-K2-S4
4.76 x 44.45 mm		<i>(0.19 x 1.75 in.)</i>		
4.76	44.45	6.60	5.58	304 Stainless Steel: Marine Style - Half Ring Part Number: * BLP-048-0445-MHR-S4
4.76	44.45	6.60	5.59	304 Stainless Steel: Marine Style - Recessed Head Part Number: * BLP-048-0445-MRE-S4
4.76	44.45	5.08	5.18	304 Stainless Steel: Keyring Style - 303/304 Stainless Steel Part Number: BLP-048-0445-K1-S4
4.76	44.45	5.08	5.18	316 Stainless Steel: Keyring Style - 316 Stainless Steel Part Number: * BLP-048-0445-K1-S6
4.76 x 50.80 mm		<i>(0.19 x 2.00 in.)</i>		
4.76	50.80	6.60	5.58	304 Stainless Steel: Marine Style - Half Ring Part Number: BLP-048-0508-MHR-S4
4.76	50.80	6.60	5.59	304 Stainless Steel: Marine Style - Recessed Head Part Number: * BLP-048-0508-MRE-S4
4.76	50.80	5.08	5.18	Carbon Steel: Keyring Style - Steel Part Number: BLP-048-0508-K1-C
4.76	50.80	5.18	5.08	Carbon Steel: Shoulder Type - Ring Handle Part Number: BLP-048-0508-RSH-C
4.76	50.80	5.18	5.08	Carbon Steel: Shoulder Type - T Handle Part Number: BLP-048-0508-TSH-C
4.76	50.80	6.60	5.58	Aluminium and Carbon Steel: T-Handle - Industrial - Steel and Aluminium Part Number: * BLP-048-0508-TI-AC
4.76	50.80	6.60	5.58	17-4 PH Stainless Steel: T-Handle - Industrial - Stainless Steel Part Number: BLP-048-0508-TI-S17
4.76	50.80	6.60	5.58	Carbon steel with aluminium handle, stainless ball and ring.: L-Handle - Industrial - Steel Part Number: * BLP-048-0508-LI-C
4.76	50.80	6.60	5.58	Carbon Steel: Button Handle - Steel Part Number: * BLP-048-0508-BT-C
4.76	50.80	6.60	5.58	17-4 PH Stainless Steel: Ring Handle - Industrial - Stainless Steel Part Number: BLP-048-0508-RHI-S17
4.76	50.80	6.60	5.58	Carbon Steel: Ring Handle - Industrial - Steel Part Number: * BLP-048-0508-RHI-C
4.76	50.80	6.60	5.58	17-4 PH Stainless Steel: Button Handle - Stainless Steel Part Number: * BLP-048-0508-BT-S17

Ball Lock Pins

Nominal Pin Dia. A (mm)	Grip Length (mm)	End Distance C (mm)	Open Ball Distance B (mm)	
4.76 x 50.80 mm		<i>(0.19 x 2.00 in.)</i>		
4.76	50.80	6.60	5.59	17-4 PH Stainless Steel: Double Acting - Ring Handle - Stainless Steel Part Number: BLP-048-0508-DR-S17
4.76	50.80	6.60	5.59	17-4 PH Stainless Steel: Double Acting - T-Handle - Stainless Steel Part Number: BLP-048-0508-DT-S17
4.76	50.80	5.08	5.18	303 Stainless Steel: Keyring Style - 303/304 Stainless Steel Part Number: BLP-048-0508-K1-S3
4.76	50.80	5.08	5.18	316 Stainless Steel: Keyring Style - 316 Stainless Steel Part Number: BLP-048-0508-K1-S6
4.76	50.80	5.08	5.18	304 Stainless Steel: Keyring Style - 303/304 Stainless Steel Part Number: BLP-048-0508-K2-S4
4.76 x 57.15 mm		<i>(0.19 x 2.25 in.)</i>		
4.76	57.15	6.60	5.58	304 Stainless Steel: Marine Style - Half Ring Part Number: * BLP-048-0572-MHR-S4
4.76	57.15	6.60	5.59	304 Stainless Steel: Marine Style - Recessed Head Part Number: * BLP-048-0572-MRE-S4
4.76	57.15	5.08	5.18	316 Stainless Steel: Keyring Style - 316 Stainless Steel Part Number: * BLP-048-0572-K1-S6
4.76	57.15	5.08	5.18	304 Stainless Steel: Keyring Style - 303/304 Stainless Steel Part Number: * BLP-048-0572-K2-S4
4.76 x 63.50 mm		<i>(0.19 x 2.50 in.)</i>		
4.76	63.50	6.60	5.58	304 Stainless Steel: Marine Style - Half Ring Part Number: * BLP-048-0635-MHR-S4
4.76	63.50	6.60	5.59	304 Stainless Steel: Marine Style - Recessed Head Part Number: * BLP-048-0635-MRE-S4
4.76	63.50	5.08	5.18	Carbon Steel: Keyring Style - Steel Part Number: BLP-048-0635-K1-C
4.76	63.50	6.60	5.58	Aluminium and Carbon Steel: T-Handle - Industrial - Steel and Aluminium Part Number: * BLP-048-0635-TI-AC
4.76	63.50	6.60	5.58	Carbon steel with aluminium handle, stainless ball and ring.: L-Handle - Industrial - Steel Part Number: BLP-048-0635-LI-C
4.76	63.50	6.60	5.58	17-4 PH Stainless Steel: T-Handle - Industrial - Stainless Steel Part Number: BLP-048-0635-TI-S17
4.76	63.50	6.60	5.58	Carbon Steel: Button Handle - Steel Part Number: * BLP-048-0635-BT-C
4.76	63.50	6.60	5.58	17-4 PH Stainless Steel: Button Handle - Stainless Steel Part Number: BLP-048-0635-BT-S17
4.76	63.50	5.08	5.18	303 Stainless Steel: Keyring Style - 303/304 Stainless Steel Part Number: BLP-048-0635-K1-S3
4.76	63.50	5.08	5.18	316 Stainless Steel: Keyring Style - 316 Stainless Steel Part Number: * BLP-048-0635-K1-S6
4.76	63.50	5.08	5.18	304 Stainless Steel: Keyring Style - 303/304 Stainless Steel Part Number: BLP-048-0635-K2-S4
4.76 x 69.85 mm		<i>(0.19 x 2.75 in.)</i>		
4.76	69.85	6.60	5.58	304 Stainless Steel: Marine Style - Half Ring Part Number: * BLP-048-0699-MHR-S4
4.76	69.85	6.60	5.59	304 Stainless Steel: Marine Style - Recessed Head Part Number: * BLP-048-0699-MRE-S4
4.76	69.85	5.08	5.18	316 Stainless Steel: Keyring Style - 316 Stainless Steel Part Number: * BLP-048-0699-K1-S6
4.76	69.85	5.08	5.18	304 Stainless Steel: Keyring Style - 303/304 Stainless Steel Part Number: * BLP-048-0699-K2-S4
4.76 x 76.20 mm		<i>(0.19 x 3.00 in.)</i>		
4.76	76.20	6.60	5.58	304 Stainless Steel: Marine Style - Half Ring Part Number: * BLP-048-0762-MHR-S4
4.76	76.20	6.60	5.59	304 Stainless Steel: Marine Style - Recessed Head Part Number: * BLP-048-0762-MRE-S4
4.76	76.20	5.08	5.18	Carbon Steel: Keyring Style - Steel Part Number: BLP-048-0762-K1-C
4.76	76.20	6.60	5.58	Aluminium and Carbon Steel: T-Handle - Industrial - Steel and Aluminium Part Number: * BLP-048-0762-TI-AC

Stocked or Short Delivery (up to 4 weeks)
 Usually 4-6 week delivery
 Long delivery or not in current production

* Large Minimum Quantities

** Available only while stock lasts

Ball Lock Pins

Nominal Pin Dia. A (mm)	Grip Length (mm)	End Distance C (mm)	Open Ball Distance B (mm)	
4.76 x 76.20 mm (0.19 x 3.00 in.)				
4.76	76.20	6.60	5.58	17-4 PH Stainless Steel: T-Handle - Industrial - Stainless Steel Part Number: BLP-048-0762-TI-S17
4.76	76.20	6.60	5.58	Carbon Steel: Button Handle - Steel Part Number: * BLP-048-0762-BT-C
4.76	76.20	6.60	5.58	Carbon Steel: Ring Handle - Industrial - Steel Part Number: BLP-048-0762-RHI-C
4.76	76.20	6.60	5.58	17-4 PH Stainless Steel: Button Handle - Stainless Steel Part Number: BLP-048-0762-BT-S17
4.76	76.20	6.60	5.59	17-4 PH Stainless Steel: L-Handle - Industrial - Stainless Steel Part Number: BLP-048-0762-LI-S17
4.76	76.20	5.08	5.18	303 Stainless Steel: Keyring Style - 303/304 Stainless Steel Part Number: BLP-048-0762-K1-S3
4.76	76.20	5.08	5.18	316 Stainless Steel: Keyring Style - 316 Stainless Steel Part Number: * BLP-048-0762-K1-S6
4.76	76.20	5.08	5.18	304 Stainless Steel: Keyring Style - 303/304 Stainless Steel Part Number: BLP-048-0762-K2-S4
4.76 x 101.60 mm (0.19 x 4.00 in.)				
4.76	101.60	6.60	5.58	Aluminium and Carbon Steel: T-Handle - Industrial - Steel and Aluminium Part Number: * BLP-048-1016-TI-AC
4.76	101.60	6.60	5.58	Carbon steel with aluminium handle, stainless ball and ring.: L-Handle - Industrial - Steel Part Number: * BLP-048-1016-LI-C
4.76	101.60	6.60	5.58	Carbon Steel: Button Handle - Steel Part Number: * BLP-048-1016-BT-C
4.76	101.60	6.60	5.58	Carbon Steel: Ring Handle - industrial - Steel Part Number: * BLP-048-1016-RHI-C
5.00 x 25.00 mm (0.20 x 0.98 in.)				
5.00	25.00	6.00	5.54	Aluminium and Carbon Steel: T-Handle - Industrial - Steel and Aluminium Part Number: BLP-050-0250-TI-AC
6.00 x 15.00 mm (0.24 x 0.59 in.)				
6.00	15.00	7.00	6.99	Aluminium and Carbon Steel: T-Handle - Industrial - Steel and Aluminium Part Number: BLP-060-0150-TI-AC
6.00	15.00	7.00	6.99	Aluminium and 400 Grade Stainless: T-Handle - Industrial - Stainless Steel and Aluminium Part Number: BLP-060-0150-TI-S17
6.00 x 20.00 mm (0.24 x 0.79 in.)				
6.00	20.00	7.00	6.99	Aluminium and Carbon Steel: T-Handle - Industrial - Steel and Aluminium Part Number: * BLP-060-0200-TI-AC
6.00 x 25.00 mm (0.24 x 0.98 in.)				
6.00	25.00	7.00	6.99	Aluminium and Carbon Steel: T-Handle - Industrial - Steel and Aluminium Part Number: BLP-060-0250-TI-AC
6.00	25.00	7.00	6.99	Aluminium and 400 Grade Stainless: T-Handle - Industrial - Stainless Steel and Aluminium Part Number: BLP-060-0250-TI-S17
6.00 x 30.00 mm (0.24 x 1.18 in.)				
6.00	30.00	7.00	6.99	Aluminium and Carbon Steel: T-Handle - Industrial - Steel and Aluminium Part Number: * BLP-060-0300-TI-AC
6.00 x 40.00 mm (0.24 x 1.57 in.)				
6.00	40.00	7.00	6.99	Aluminium and 400 Grade Stainless: T-Handle - Industrial - Stainless Steel and Aluminium Part Number: BLP-060-0400-TI-S17
6.00	40.00	7.00	6.99	Aluminium and Carbon Steel: T-Handle - Industrial - Steel and Aluminium Part Number: * BLP-060-0400-TI-AC
6.00 x 50.00 mm (0.24 x 1.97 in.)				
6.00	50.00	7.00	6.99	Aluminium and Carbon Steel: T-Handle - Industrial - Steel and Aluminium Part Number: BLP-060-0500-TI-AC
6.00	50.00	7.00	6.99	Aluminium and 400 Grade Stainless: T-Handle - Industrial - Stainless Steel and Aluminium Part Number: BLP-060-0500-TI-S17
6.00 x 65.00 mm (0.24 x 2.56 in.)				
6.00	65.00	7.00	6.99	Aluminium and 400 Grade Stainless: T-Handle - Industrial - Stainless Steel and Aluminium Part Number: * BLP-060-0650-TI-S17

Stocked or Short Delivery (up to 4 weeks)
 Usually 4-6 week delivery
 Long delivery or not in current production

* Large Minimum Quantities

** Available only while stock lasts

Ball Lock Pins

Nominal Pin Dia. A (mm)	Grip Length (mm)	End Distance C (mm)	Open Ball Distance B (mm)	
6.00 x 75.00 mm (0.24 x 2.95 in.)				
6.00	75.00	7.00	6.99	Aluminium and 400 Grade Stainless: T-Handle - Industrial - Stainless Steel and Aluminium Part Number: * BLP-060-0750-TI-S17
6.00 x 100.00 mm (0.24 x 3.94 in.)				
6.00	100.00	7.00	6.99	Aluminium and Carbon Steel: T-Handle - Industrial - Steel and Aluminium Part Number: BLP-060-1000-TI-AC
6.35 x 6.35 mm (0.25 x 0.25 in.)				
6.35	6.35	9.65	7.29	304 Stainless Steel: Marine Style - Half Ring Part Number: BLP-064-0064-MHR-S4
6.35	6.35	9.65	7.89	304 Stainless Steel: Marine Style - Recessed Head Part Number: * BLP-064-0064-MRE-S4
6.35	6.35	7.93	7.26	316 Stainless Steel: Keyring Style - 316 Stainless Steel Part Number: * BLP-064-0064-K1-S6
6.35	6.35	7.93	7.26	304 Stainless Steel: Keyring Style - 303/304 Stainless Steel Part Number: * BLP-064-0064-K2-S4
6.35 x 12.70 mm (0.25 x 0.50 in.)				
6.35	12.70	9.65	7.29	304 Stainless Steel: Marine Style - Half Ring Part Number: * BLP-064-0127-MHR-S4
6.35	12.70	9.65	7.89	304 Stainless Steel: Marine Style - Recessed Head Part Number: BLP-064-0127-MRE-S4
6.35	12.70	7.37	7.34	Carbon Steel: T-Handle - Commercial Part Number: BLP-064-0127-TC-C
6.35	12.70	7.37	7.34	Carbon Steel: Button Handle - Commercial Part Number: BLP-064-0127-BTC-C
6.35	12.70	7.36	7.34	17-4 PH Stainless: T-Handle - Industrial - Stainless Steel Part Number: BLP-064-0127-TI-S17
6.35	12.70	7.36	7.34	Carbon Steel: Button Handle - Steel Part Number: * BLP-064-0127-BT-C
6.35	12.70	7.36	7.34	Carbon steel with aluminium handle, stainless ball and ring.: L-Handle - Industrial - Steel Part Number: * BLP-064-0127-LI-C
6.35	12.70	7.36	7.34	17-4 PH Stainless: Ring Handle - Industrial - Stainless Steel Part Number: BLP-064-0127-RHI-S17
6.35	12.70	7.36	7.34	Carbon Steel: Ring Handle - Industrial - Steel Part Number: * BLP-064-0127-RHI-C
6.35	12.70	7.36	7.34	17-4 PH Stainless: L-Handle - Industrial - Stainless Steel Part Number: BLP-064-0127-LI-S17
6.35	12.70	7.36	7.34	17-4 PH Stainless: Button Handle - Stainless Steel Part Number: BLP-064-0127-BT-S17
6.35	12.70	7.36	7.34	Aluminium and Carbon Steel: T-Handle - Industrial - Steel and Aluminium Part Number: * BLP-064-0127-TI-AC
6.35	12.70	7.93	7.26	Carbon Steel: Keyring Style - Steel Part Number: BLP-064-0127-K1-C
6.35	12.70	9.65	7.29	17-4 PH Stainless: T-Handle - Stainless Steel - Heavy Duty Part Number: BLP-064-0127-THD-S17
6.35	12.70			303 Stainless Steel: Threaded End - Stainless Steel Part Number: BLP-064-0127-THR-S3
6.35	12.70	7.93	7.26	303 Stainless Steel: Keyring Style - 303/304 Stainless Steel Part Number: BLP-064-0127-K1-S3
6.35	12.70	7.93	7.26	316 Stainless Steel: Keyring Style - 316 Stainless Steel Part Number: * BLP-064-0127-K1-S6
6.35	12.70	7.93	7.26	304 Stainless Steel: Keyring Style - 303/304 Stainless Steel Part Number: BLP-064-0127-K2-S4
6.35 x 15.24 mm (0.25 x 0.60 in.)				
6.35	15.24	7.26	7.93	Carbon Steel: Shoulder Type - T Handle Part Number: BLP-064-0152-TSH-C
6.35	15.24	7.26	7.93	Carbon Steel: Shoulder Type - Ring Handle Part Number: BLP-064-0152-RSH-C
6.35 x 19.05 mm (0.25 x 0.75 in.)				
6.35	19.05	9.65	7.29	304 Stainless Steel: Marine Style - Half Ring Part Number: * BLP-064-0191-MHR-S4

Stocked or Short Delivery (up to 4 weeks)
 Usually 4-6 week delivery
 Long delivery or not in current production

* Large Minimum Quantities

** Available only while stock lasts

Ball Lock Pins

Nominal Pin Dia. A (mm)	Grip Length (mm)	End Distance C (mm)	Open Ball Distance B (mm)	
6.35 x 19.05 mm		<i>(0.25 x 0.75 in.)</i>		
6.35	19.05	9.65	7.89	304 Stainless Steel: Marine Style - Recessed Head Part Number: * BLP-064-0191-MRE-S4
6.35	19.05	7.36	7.34	17-4 PH Stainless Steel: Button Handle - Stainless Steel Part Number: BLP-064-0191-BT-S17
6.35	19.05	7.93	7.26	304 Stainless Steel: Keyring Style - 303/304 Stainless Steel Part Number: BLP-064-0191-K1-S4
6.35	19.05	7.93	7.26	316 Stainless Steel: Keyring Style - 316 Stainless Steel Part Number: * BLP-064-0191-K1-S6
6.35 x 20.32 mm		<i>(0.25 x 0.80 in.)</i>		
6.35	20.32	7.93	7.26	Carbon Steel: Keyring Style - Steel Part Number: BLP-064-0203-K1-C
6.35	20.32	7.93	7.26	303 Stainless Steel: Keyring Style - 303/304 Stainless Steel Part Number: BLP-064-0203-K1-S3
6.35 x 25.40 mm		<i>(0.25 x 1.00 in.)</i>		
6.35	25.40	9.65	7.29	304 Stainless Steel: Marine Style - Half Ring Part Number: * BLP-064-0254-MHR-S4
6.35	25.40	9.65	7.89	304 Stainless Steel: Marine Style - Recessed Head Part Number: * BLP-064-0254-MRE-S4
6.35	25.40	7.37	7.34	Carbon Steel: T-Handle - Commercial Part Number: BLP-064-0254-TC-C
6.35	25.40	7.37	7.34	Carbon Steel: Button Handle - Commercial Part Number: BLP-064-0254-BTC-C
6.35	25.40	7.36	7.34	17-4 PH Stainless Steel: T-Handle - Industrial - Stainless Steel Part Number: BLP-064-0254-TI-S17
6.35	25.40	7.36	7.34	Carbon Steel: Button Handle - Steel Part Number: * BLP-064-0254-BT-C
6.35	25.40	7.36	7.34	Carbon steel with aluminium handle, stainless ball and ring.: L-Handle - Industrial - Steel Part Number: * BLP-064-0254-LI-C
6.35	25.40	7.36	7.34	17-4 PH Stainless Steel: Ring Handle - Industrial - Stainless Steel Part Number: BLP-064-0254-RHI-S17
6.35	25.40	7.36	7.34	Carbon Steel: Ring Handle - Industrial - Steel Part Number: BLP-064-0254-RHI-C
6.35	25.40	7.36	7.34	17-4 PH Stainless Steel: Button Handle - Stainless Steel Part Number: BLP-064-0254-BT-S17
6.35	25.40	7.36	7.34	17-4 PH Stainless Steel: L-Handle - Industrial - Stainless Steel Part Number: * BLP-064-0254-LI-S17
6.35	25.40	7.36	7.34	Aluminium and Carbon Steel: T-Handle - Industrial - Steel and Aluminium Part Number: * BLP-064-0254-TI-AC
6.35	25.40	7.37	7.34	17-4 PH or PH15-7MO shank with CRES440C spindle: High Tension - Industrial Part Number: BLP-064-0254-HTI-S17
6.35	25.40	7.37	7.34	17-4 PH Stainless Steel: Double Acting - L-Handle - Stainless Steel Part Number: BLP-064-0254-DL-S17
6.35	25.40	7.37	7.34	17-4 PH Stainless Steel: Double Acting - T-Handle - Stainless Steel Part Number: BLP-064-0254-DT-S17
6.35	25.40	7.26	7.93	Carbon Steel: Shoulder Type - Ring Handle Part Number: BLP-064-0254-RSH-C
6.35	25.40	7.26	7.93	Carbon Steel: Shoulder Type - T Handle Part Number: BLP-064-0254-TSH-C
6.35	25.40	7.93	7.26	Carbon Steel: T-Handle - Plastic Handle Part Number: BLP-064-0254-T-PC
6.35	25.40	7.93	7.26	Carbon Steel: Ball Handle - Plastic Handle Part Number: BLP-064-0254-BL-C
6.35	25.40	7.93	7.26	Carbon Steel: Keyring Style - Steel Part Number: BLP-064-0254-K1-C
6.35	25.40	9.65	7.29	17-4 PH Stainless Steel: T-Handle - Stainless Steel - Heavy Duty Part Number: BLP-064-0254-THD-S17
6.35	25.40			303 Stainless Steel: Threaded End - Stainless Steel Part Number: BLP-064-0254-THR-S3
6.35	25.40	7.93	7.26	303 Stainless Steel: Keyring Style - 303/304 Stainless Steel Part Number: BLP-064-0254-K1-S3

Stocked or Short Delivery (up to 4 weeks)
 Usually 4-6 week delivery
 Long delivery or not in current production

* Large Minimum Quantities

** Available only while stock lasts

Ball Lock Pins

Nominal Pin Dia. A (mm)	Grip Length (mm)	End Distance C (mm)	Open Ball Distance B (mm)	
6.35 x 25.40 mm (0.25 x 1.00 in.)				
6.35	25.40	7.93	7.26	316 Stainless Steel: Keyring Style - 316 Stainless Steel Part Number: BLP-064-0254-K1-S6
6.35	25.40	7.93	7.26	304 Stainless Steel: Keyring Style - 303/304 Stainless Steel Part Number: BLP-064-0254-K2-S4
6.35 x 31.70 mm (0.25 x 1.25 in.)				
6.35	31.70	7.36	7.34	17-4 PH Stainless Steel: Button Handle - Stainless Steel Part Number: * BLP-064-0317-BT-S17
6.35 x 31.75 mm (0.25 x 1.25 in.)				
6.35	31.75	9.65	7.29	304 Stainless Steel: Marine Style - Half Ring Part Number: * BLP-064-0318-MHR-S4
6.35	31.75	9.65	7.89	304 Stainless Steel: Marine Style - Recessed Head Part Number: BLP-064-0318-MRE-S4
6.35	31.75	7.93	7.26	316 Stainless Steel: Keyring Style - 316 Stainless Steel Part Number: BLP-064-0318-K1-S6
6.35	31.75	7.93	7.26	304 Stainless Steel: Keyring Style - 303/304 Stainless Steel Part Number: BLP-064-0318-K2-S4
6.35 x 33.02 mm (0.25 x 1.30 in.)				
6.35	33.02	7.26	7.93	Carbon Steel: Shoulder Type - Ring Handle Part Number: BLP-064-0330-RSH-C
6.35	33.02	7.26	7.93	Carbon Steel: Shoulder Type - T Handle Part Number: BLP-064-0330-TSH-C
6.35	33.02	7.93	7.26	Carbon Steel: Keyring Style - Steel Part Number: BLP-064-0330-K1-C
6.35	33.02	7.93	7.26	303 Stainless Steel: Keyring Style - 303/304 Stainless Steel Part Number: BLP-064-0330-K1-S3
6.35 x 38.10 mm (0.25 x 1.50 in.)				
6.35	38.10	9.65	7.29	304 Stainless Steel: Marine Style - Half Ring Part Number: * BLP-064-0381-MHR-S4
6.35	38.10	9.65	7.89	304 Stainless Steel: Marine Style - Recessed Head Part Number: BLP-064-0381-MRE-S4
6.35	38.10	7.37	7.34	Carbon Steel: T-Handle - Commercial Part Number: BLP-064-0381-TC-C
6.35	38.10	7.37	7.34	Carbon Steel: Button Handle - Commercial Part Number: BLP-064-0381-BTC-C
6.35	38.10	7.36	7.34	Carbon steel with aluminium handle, stainless ball and ring.: L-Handle - Industrial - Steel Part Number: * BLP-064-0381-LI-C
6.35	38.10	7.36	7.34	17-4 PH Stainless Steel: T-Handle - Industrial - Stainless Steel Part Number: * BLP-064-0381-TI-S17
6.35	38.10	7.36	7.34	Carbon Steel: Button Handle - Steel Part Number: * BLP-064-0381-BT-C
6.35	38.10	7.36	7.34	17-4 PH Stainless Steel: Ring Handle - Industrial - Stainless Steel Part Number: BLP-064-0381-RHI-S17
6.35	38.10	7.36	7.34	Carbon Steel: Ring Handle - Industrial - Steel Part Number: * BLP-064-0381-RHI-C
6.35	38.10	7.36	7.34	17-4 PH Stainless Steel: Button Handle - Stainless Steel Part Number: BLP-064-0381-BT-S17
6.35	38.10	7.36	7.34	17-4 PH Stainless Steel: L-Handle - Industrial - Stainless Steel Part Number: * BLP-064-0381-LI-S17
6.35	38.10	7.36	7.34	Aluminium and Carbon Steel: T-Handle - Industrial - Steel and Aluminium Part Number: * BLP-064-0381-TI-AC
6.35	38.10	7.37	7.34	17-4 PH Stainless Steel: Double Acting - Ring Handle - Stainless Steel Part Number: BLP-064-0381-DR-S17
6.35	38.10	7.37	7.34	17-4 PH Stainless Steel: Double Acting - T-Handle - Stainless Steel Part Number: BLP-064-0381-DT-S17
6.35	38.10	7.26	7.93	Carbon Steel: Shoulder Type - T Handle Part Number: BLP-064-0381-TSH-C
6.35	38.10	7.26	7.93	Carbon Steel: Shoulder Type - Ring Handle Part Number: BLP-064-0381-RSH-C
6.35	38.10	7.93	7.26	Carbon Steel: Ball Handle - Plastic Handle Part Number: BLP-064-0381-BL-C



Stocked or Short Delivery (up to 4 weeks)



Usually 4-6 week delivery



Long delivery or not in current production

* Large Minimum Quantities

** Available only while stock lasts

Ball Lock Pins

Nominal Pin Dia. A (mm)	Grip Length (mm)	End Distance C (mm)	Open Ball Distance B (mm)	
6.35 x 38.10 mm		<i>(0.25 x 1.50 in.)</i>		
6.35	38.10	7.93	7.26	Carbon Steel: T-Handle - Plastic Handle Part Number: BLP-064-0381-T-PC
6.35	38.10	7.93	7.26	Carbon Steel: Keyring Style - Steel Part Number: BLP-064-0381-K1-C
6.35	38.10	9.65	7.29	17-4 PH Stainless Steel: T-Handle - Stainless Steel - Heavy Duty Part Number: BLP-064-0381-THD-S17
6.35	38.10	7.93	7.26	303 Stainless Steel: Keyring Style - 303/304 Stainless Steel Part Number: BLP-064-0381-K1-S3
6.35	38.10	7.93	7.26	316 Stainless Steel: Keyring Style - 316 Stainless Steel Part Number: BLP-064-0381-K1-S6
6.35	38.10	7.93	7.26	304 Stainless Steel: Keyring Style - 303/304 Stainless Steel Part Number: BLP-064-0381-K2-S4
6.35 x 44.45 mm		<i>(0.25 x 1.75 in.)</i>		
6.35	44.45	9.65	7.29	304 Stainless Steel: Marine Style - Half Ring Part Number: BLP-064-0445-MHR-S4
6.35	44.45	9.65	7.89	304 Stainless Steel: Marine Style - Recessed Head Part Number: * BLP-064-0445-MRE-S4
6.35	44.45	7.93	7.26	304 Stainless Steel: Keyring Style - 303/304 Stainless Steel Part Number: BLP-064-0445-K1-S4
6.35	44.45	7.93	7.26	316 Stainless Steel: Keyring Style - 316 Stainless Steel Part Number: BLP-064-0445-K1-S6
6.35 x 50.80 mm		<i>(0.25 x 2.00 in.)</i>		
6.35	50.80	9.65	7.29	304 Stainless Steel: Marine Style - Half Ring Part Number: * BLP-064-0508-MHR-S4
6.35	50.80	9.65	7.89	304 Stainless Steel: Marine Style - Recessed Head Part Number: * BLP-064-0508-MRE-S4
6.35	50.80	7.37	7.34	Carbon Steel: T-Handle - Commercial Part Number: BLP-064-0508-TC-C
6.35	50.80	7.37	7.34	Carbon Steel: Button Handle - Commercial Part Number: BLP-064-0508-BTC-C
6.35	50.80	7.36	7.34	17-4 PH Stainless Steel: T-Handle - Industrial - Stainless Steel Part Number: BLP-064-0508-TI-S17
6.35	50.80	7.36	7.34	Carbon Steel: Button Handle - Steel Part Number: * BLP-064-0508-BT-C
6.35	50.80	7.36	7.34	Carbon steel with aluminium handle, stainless ball and ring.: L-Handle - Industrial - Steel Part Number: * BLP-064-0508-LI-C
6.35	50.80	7.36	7.34	17-4 PH Stainless Steel: Ring Handle - Industrial - Stainless Steel Part Number: BLP-064-0508-RHI-S17
6.35	50.80	7.36	7.34	Carbon Steel: Ring Handle - Industrial - Steel Part Number: * BLP-064-0508-RHI-C
6.35	50.80	7.36	7.34	17-4 PH Stainless Steel: L-Handle - Industrial - Stainless Steel Part Number: BLP-064-0508-LI-S17
6.35	50.80	7.36	7.34	17-4 PH Stainless Steel: Button Handle - Stainless Steel Part Number: * BLP-064-0508-BT-S17
6.35	50.80	7.36	7.34	Aluminium and Carbon Steel: T-Handle - Industrial - Steel and Aluminium Part Number: * BLP-064-0508-TI-AC
6.35	50.80	7.37	7.34	17-4 PH or PH15-7MO shank with CRES440C spindle: High Tension - Industrial Part Number: BLP-064-0508-HTI-S17
6.35	50.80	7.37	7.34	17-4 PH Stainless Steel: Double Acting - Ring Handle - Stainless Steel Part Number: BLP-064-0508-DR-S17
6.35	50.80	7.37	7.34	17-4 PH Stainless Steel: Double Acting - T-Handle - Stainless Steel Part Number: BLP-064-0508-DT-S17
6.35	50.80	7.26	7.93	Carbon Steel: Shoulder Type - Ring Handle Part Number: BLP-064-0508-RSH-C
6.35	50.80	7.26	7.93	Carbon Steel: Shoulder Type - T Handle Part Number: BLP-064-0508-TSH-C
6.35	50.80	7.93	7.26	Carbon Steel: T-Handle - Plastic Handle Part Number: BLP-064-0508-T-PC
6.35	50.80	7.93	7.26	Carbon Steel: Ball Handle - Plastic Handle Part Number: BLP-064-0508-BL-C

Stocked or Short Delivery (up to 4 weeks)
 Usually 4-6 week delivery
 Long delivery or not in current production

* Large Minimum Quantities

** Available only while stock lasts

Ball Lock Pins

Nominal Pin Dia. A (mm)	Grip Length (mm)	End Distance C (mm)	Open Ball Distance B (mm)	
6.35 x 50.80 mm		<i>(0.25 x 2.00 in.)</i>		
6.35	50.80	7.93	7.26	Carbon Steel: Keyring Style - Steel Part Number: BLP-064-0508-K1-C
6.35	50.80	9.65	7.29	17-4 PH Stainless Stainless: T-Handle - Stainless Steel - Heavy Duty Part Number: BLP-064-0508-THD-S17
6.35	50.80			303 Stainless Steel: Threaded End - Stainless Steel Part Number: BLP-064-0508-THR-S3
6.35	50.80	7.93	7.26	316 Stainless Steel: Keyring Style - 316 Stainless Steel Part Number: BLP-064-0508-K1-S6
6.35	50.80	7.93	7.26	303 Stainless Steel: Keyring Style - 303/304 Stainless Steel Part Number: BLP-064-0508-K1-S3
6.35	50.80	7.93	7.26	304 Stainless Steel: Keyring Style - 303/304 Stainless Steel Part Number: BLP-064-0508-K2-S4
6.35 x 57.15 mm		<i>(0.25 x 2.25 in.)</i>		
6.35	57.15	9.65	7.29	304 Stainless Steel: Marine Style - Half Ring Part Number: BLP-064-0572-MHR-S4
6.35	57.15	9.65	7.89	304 Stainless Steel: Marine Style - Recessed Head Part Number: BLP-064-0572-MRE-S4
6.35	57.15	7.93	7.26	304 Stainless Steel: Keyring Style - 303/304 Stainless Steel Part Number: BLP-064-0572-K1-S4
6.35	57.15	7.93	7.26	316 Stainless Steel: Keyring Style - 316 Stainless Steel Part Number: * BLP-064-0572-K1-S6
6.35 x 63.50 mm		<i>(0.25 x 2.50 in.)</i>		
6.35	63.50	9.65	7.29	304 Stainless Steel: Marine Style - Half Ring Part Number: * BLP-064-0635-MHR-S4
6.35	63.50	9.65	7.89	304 Stainless Steel: Marine Style - Recessed Head Part Number: * BLP-064-0635-MRE-S4
6.35	63.50	7.37	7.34	Carbon Steel: T-Handle - Commercial Part Number: BLP-064-0635-TC-C
6.35	63.50	7.37	7.34	Carbon Steel: Button Handle - Commercial Part Number: BLP-064-0635-BTC-C
6.35	63.50	7.36	7.34	17-4 PH Stainless Stainless: T-Handle - Industrial - Stainless Steel Part Number: BLP-064-0635-TI-S17
6.35	63.50	7.36	7.34	Carbon Steel: Button Handle - Steel Part Number: * BLP-064-0635-BT-C
6.35	63.50	7.36	7.34	Carbon steel with aluminium handle, stainless ball and ring.: L-Handle - Industrial - Steel Part Number: * BLP-064-0635-LI-C
6.35	63.50	7.36	7.34	17-4 PH Stainless Stainless: Ring Handle - Industrial - Stainless Steel Part Number: BLP-064-0635-RHI-S17
6.35	63.50	7.36	7.34	Carbon Steel: Ring Handle - Industrial - Steel Part Number: * BLP-064-0635-RHI-C
6.35	63.50	7.36	7.34	17-4 PH Stainless Stainless: L-Handle - Industrial - Stainless Steel Part Number: BLP-064-0635-LI-S17
6.35	63.50	7.36	7.34	17-4 PH Stainless Stainless: Button Handle - Stainless Steel Part Number: * BLP-064-0635-BT-S17
6.35	63.50	7.36	7.34	Aluminium and Carbon Steel: T-Handle - Industrial - Steel and Aluminium Part Number: * BLP-064-0635-TI-AC
6.35	63.50	7.37	7.34	17-4 PH or PH15-7MO shank with CRES440C spindle: High Tension - Industrial Part Number: BLP-064-0635-HTI-S17
6.35	63.50	7.37	7.34	17-4 PH Stainless Stainless: Double Acting - Ring Handle - Stainless Steel Part Number: BLP-064-0635-DR-S17
6.35	63.50	7.37	7.34	17-4 PH Stainless Stainless: Double Acting - T-Handle - Stainless Steel Part Number: BLP-064-0635-DT-S17
6.35	63.50	7.93	7.26	Carbon Steel: Ball Handle - Plastic Handle Part Number: BLP-064-0635-BL-C
6.35	63.50	7.93	7.26	Carbon Steel: T-Handle - Plastic Handle Part Number: BLP-064-0635-T-PC
6.35	63.50	7.93	7.26	Carbon Steel: Keyring Style - Steel Part Number: BLP-064-0635-K1-C
6.35	63.50	9.65	7.29	17-4 PH Stainless Stainless: T-Handle - Stainless Steel - Heavy Duty Part Number: BLP-064-0635-THD-S17

Stocked or Short Delivery (up to 4 weeks)
 Usually 4-6 week delivery
 Long delivery or not in current production

* Large Minimum Quantities

** Available only while stock lasts

Ball Lock Pins

Nominal Pin Dia. A (mm)	Grip Length (mm)	End Distance C (mm)	Open Ball Distance B (mm)	
6.35 x 63.50 mm		<i>(0.25 x 2.50 in.)</i>		
6.35	63.50			303 Stainless Steel: Threaded End - Stainless Steel Part Number: BLP-064-0635-THR-S3
6.35	63.50	7.93	7.26	303 Stainless Steel: Keyring Style - 303/304 Stainless Steel Part Number: BLP-064-0635-K1-S3
6.35	63.50	7.93	7.26	304 Stainless Steel: Keyring Style - 303/304 Stainless Steel Part Number: BLP-064-0635-K1-S4
6.35	63.50	7.93	7.26	316 Stainless Steel: Keyring Style - 316 Stainless Steel Part Number: BLP-064-0635-K1-S6
6.35 x 69.85 mm		<i>(0.25 x 2.75 in.)</i>		
6.35	69.85	9.65	7.29	304 Stainless Steel: Marine Style - Half Ring Part Number: * BLP-064-0699-MHR-S4
6.35	69.85	9.65	7.89	304 Stainless Steel: Marine Style - Recessed Head Part Number: * BLP-064-0699-MRE-S4
6.35	69.85	7.93	7.26	316 Stainless Steel: Keyring Style - 316 Stainless Steel Part Number: * BLP-064-0699-K1-S6
6.35	69.85	7.93	7.26	304 Stainless Steel: Keyring Style - 303/304 Stainless Steel Part Number: * BLP-064-0699-K2-S4
6.35 x 76.20 mm		<i>(0.25 x 3.00 in.)</i>		
6.35	76.20	9.65	7.29	304 Stainless Steel: Marine Style - Half Ring Part Number: * BLP-064-0762-MHR-S4
6.35	76.20	9.65	7.89	304 Stainless Steel: Marine Style - Recessed Head Part Number: * BLP-064-0762-MRE-S4
6.35	76.20	7.37	7.34	Carbon Steel: T-Handle - Commercial Part Number: BLP-064-0762-TC-C
6.35	76.20	7.37	7.34	Carbon Steel: Button Handle - Commercial Part Number: BLP-064-0762-BTC-C
6.35	76.20	7.36	7.34	17-4 PH Stainless Steel: T-Handle - Industrial - Stainless Steel Part Number: BLP-064-0762-TI-S17
6.35	76.20	7.36	7.34	Carbon steel with aluminium handle, stainless ball and ring.: L-Handle - Industrial - Steel Part Number: * BLP-064-0762-LI-C
6.35	76.20	7.36	7.34	Carbon Steel: Button Handle - Steel Part Number: * BLP-064-0762-BT-C
6.35	76.20	7.36	7.34	17-4 PH Stainless Steel: Ring Handle - Industrial - Stainless Steel Part Number: BLP-064-0762-RHI-S17
6.35	76.20	7.36	7.34	Carbon Steel: Ring Handle - Industrial - Steel Part Number: * BLP-064-0762-RHI-C
6.35	76.20	7.36	7.34	17-4 PH Stainless Steel: Button Handle - Stainless Steel Part Number: BLP-064-0762-BT-S17
6.35	76.20	7.36	7.34	17-4 PH Stainless Steel: L-Handle - Industrial - Stainless Steel Part Number: BLP-064-0762-LI-S17
6.35	76.20	7.36	7.34	Aluminium and Carbon Steel: T-Handle - Industrial - Steel and Aluminium Part Number: * BLP-064-0762-TI-AC
6.35	76.20	7.37	7.34	17-4 PH or PH15-7MO shank with CRES440C spindle: High Tension - Industrial Part Number: * BLP-064-0762-HTI-S17
6.35	76.20	7.37	7.34	17-4 PH Stainless Steel: Double Acting - T-Handle - Stainless Steel Part Number: BLP-064-0762-DT-S17
6.35	76.20	7.26	7.93	Carbon Steel: Shoulder Type - Ring Handle Part Number: BLP-064-0762-RSH-C
6.35	76.20	7.26	7.93	Carbon Steel: Shoulder Type - T Handle Part Number: BLP-064-0762-TSH-C
6.35	76.20	7.93	7.26	Carbon Steel: Ball Handle - Plastic Handle Part Number: BLP-064-0762-BL-C
6.35	76.20	7.93	7.26	Carbon Steel: T-Handle - Plastic Handle Part Number: BLP-064-0762-T-PC
6.35	76.20	7.93	7.26	Carbon Steel: Keyring Style - Steel Part Number: BLP-064-0762-K1-C
6.35	76.20	9.65	7.29	17-4 PH Stainless Steel: T-Handle - Stainless Steel - Heavy Duty Part Number: BLP-064-0762-THD-S17
6.35	76.20	7.93	7.26	303 Stainless Steel: Keyring Style - 303/304 Stainless Steel Part Number: BLP-064-0762-K1-S3

Stocked or Short Delivery (up to 4 weeks)
 Usually 4-6 week delivery
 Long delivery or not in current production

* Large Minimum Quantities

** Available only while stock lasts

Ball Lock Pins

Nominal Pin Dia. A (mm)	Grip Length (mm)	End Distance C (mm)	Open Ball Distance B (mm)	
6.35 x 76.20 mm (0.25 x 3.00 in.)				
6.35	76.20	7.93	7.26	316 Stainless Steel: Keyring Style - 316 Stainless Steel Part Number: * BLP-064-0762-K1-S6
6.35	76.20	7.93	7.26	304 Stainless Steel: Keyring Style - 303/304 Stainless Steel Part Number: BLP-064-0762-K2-S4
6.35 x 82.55 mm (0.25 x 3.25 in.)				
6.35	82.55	9.65	7.29	304 Stainless Steel: Marine Style - Half Ring Part Number: BLP-064-0826-MHR-S4
6.35	82.55	9.65	7.89	304 Stainless Steel: Marine Style - Recessed Head Part Number: BLP-064-0826-MRE-S4
6.35	82.55	7.93	7.26	316 Stainless Steel: Keyring Style - 316 Stainless Steel Part Number: * BLP-064-0826-K1-S6
6.35	82.55	7.93	7.26	304 Stainless Steel: Keyring Style - 303/304 Stainless Steel Part Number: BLP-064-0826-K2-S4
6.35 x 88.90 mm (0.25 x 3.50 in.)				
6.35	88.90	9.65	7.29	304 Stainless Steel: Marine Style - Half Ring Part Number: * BLP-064-0889-MHR-S4
6.35	88.90	9.65	7.89	304 Stainless Steel: Marine Style - Recessed Head Part Number: * BLP-064-0889-MRE-S4
6.35	88.90	7.37	7.34	Carbon Steel: T-Handle - Commercial Part Number: BLP-064-0889-TC-C
6.35	88.90	7.37	7.34	Carbon Steel: Button Handle - Commercial Part Number: BLP-064-0889-BTC-C
6.35	88.90	7.36	7.34	Carbon steel with aluminium handle, stainless ball and ring.: L-Handle - Industrial - Steel Part Number: * BLP-064-0889-LI-C
6.35	88.90	7.36	7.34	Carbon Steel: Button Handle - Steel Part Number: * BLP-064-0889-BT-C
6.35	88.90	7.36	7.34	17-4 PH Stainless Steel: T-Handle - Industrial - Stainless Steel Part Number: * BLP-064-0889-TI-S17
6.35	88.90	7.36	7.34	Carbon Steel: Ring Handle - Industrial - Steel Part Number: * BLP-064-0889-RHI-C
6.35	88.90	7.36	7.34	17-4 PH Stainless Steel: Button Handle - Stainless Steel Part Number: BLP-064-0889-BT-S17
6.35	88.90	7.36	7.34	Aluminium and Carbon Steel: T-Handle - Industrial - Steel and Aluminium Part Number: * BLP-064-0889-TI-AC
6.35	88.90	7.93	7.26	316 Stainless Steel: Keyring Style - 316 Stainless Steel Part Number: * BLP-064-0889-K1-S6
6.35	88.90	7.93	7.26	304 Stainless Steel: Keyring Style - 303/304 Stainless Steel Part Number: * BLP-064-0889-K2-S4
6.35 x 95.25 mm (0.25 x 3.75 in.)				
6.35	95.25	9.65	7.29	304 Stainless Steel: Marine Style - Half Ring Part Number: BLP-064-0953-MHR-S4
6.35	95.25	9.65	7.89	304 Stainless Steel: Marine Style - Recessed Head Part Number: BLP-064-0953-MRE-S4
6.35	95.25	7.93	7.26	316 Stainless Steel: Keyring Style - 316 Stainless Steel Part Number: * BLP-064-0953-K1-S6
6.35	95.25	7.93	7.26	304 Stainless Steel: Keyring Style - 303/304 Stainless Steel Part Number: BLP-064-0953-K2-S4
6.35 x 101.60 mm (0.25 x 4.00 in.)				
6.35	101.60	9.65	7.29	304 Stainless Steel: Marine Style - Half Ring Part Number: BLP-064-1016-MHR-S4
6.35	101.60	7.37	7.34	Carbon Steel: T-Handle - Commercial Part Number: BLP-064-1016-TC-C
6.35	101.60	7.37	7.34	Carbon Steel: Button Handle - Commercial Part Number: BLP-064-1016-BTC-C
6.35	101.60	7.36	7.34	17-4 PH Stainless Steel: T-Handle - Industrial - Stainless Steel Part Number: BLP-064-1016-TI-S17
6.35	101.60	7.36	7.34	Carbon steel with aluminium handle, stainless ball and ring.: L-Handle - Industrial - Steel Part Number: * BLP-064-1016-LI-C
6.35	101.60	7.36	7.34	Aluminium and Carbon Steel: T-Handle - Industrial - Steel and Aluminium Part Number: * BLP-064-1016-TI-AC

Stocked or Short Delivery (up to 4 weeks)
 Usually 4-6 week delivery
 Long delivery or not in current production

* Large Minimum Quantities

** Available only while stock lasts

Ball Lock Pins

Nominal Pin Dia. A (mm)	Grip Length (mm)	End Distance C (mm)	Open Ball Distance B (mm)	
6.35 x 101.60 mm		<i>(0.25 x 4.00 in.)</i>		
6.35	101.60	7.37	7.34	17-4 PH or PH15-7MO shank with CRES440C spindle: High Tension - Industrial Part Number: BLP-064-1016-HTI-S17
6.35	101.60	8.38	9.52	Carbon Steel: Button Handle - Steel Part Number: * BLP-064-1016-BT-C
6.35	101.60	8.38	9.52	Carbon Steel: Ring Handle - Industrial - Steel Part Number: BLP-064-1016-RHI-C
6.35	101.60	8.38	9.52	17-4 PH Stainless Steel: Button Handle - Stainless Steel Part Number: BLP-064-1016-BT-S17
6.35	101.60	9.65	7.29	17-4 PH Stainless Steel: T-Handle - Stainless Steel - Heavy Duty Part Number: BLP-064-1016-THD-S17
6.35	101.60	7.93	7.26	304 Stainless Steel: Keyring Style - 303/304 Stainless Steel Part Number: BLP-064-1016-K1-S4
6.35	101.60	7.93	7.26	316 Stainless Steel: Keyring Style - 316 Stainless Steel Part Number: * BLP-064-1016-K1-S6
6.35 x 114.30 mm		<i>(0.25 x 4.50 in.)</i>		
6.35	114.30	7.36	7.34	Carbon steel with aluminium handle, stainless ball and ring.: L-Handle - Industrial - Steel Part Number: * BLP-064-1143-LI-C
6.35	114.30	9.65	7.29	17-4 PH Stainless Steel: T-Handle - Stainless Steel - Heavy Duty Part Number: * BLP-064-1143-THD-S17
7.94 x 6.35 mm		<i>(0.31 x 0.25 in.)</i>		
7.94	6.35	10.16	9.45	304 Stainless Steel: Marine Style - Half Ring Part Number: * BLP-079-0064-MHR-S4
7.94	6.35	10.16	9.45	304 Stainless Steel: Marine Style - Recessed Head Part Number: * BLP-079-0064-MRE-S4
7.94	6.35	9.53	9.09	316 Stainless Steel: Keyring Style - 316 Stainless Steel Part Number: * BLP-079-0064-K1-S6
7.94	6.35	9.53	9.09	304 Stainless Steel: Keyring Style - 303/304 Stainless Steel Part Number: * BLP-079-0064-K2-S4
7.94 x 12.70 mm		<i>(0.31 x 0.50 in.)</i>		
7.94	12.70	10.16	9.45	304 Stainless Steel: Marine Style - Half Ring Part Number: * BLP-079-0127-MHR-S4
7.94	12.70	10.16	9.45	304 Stainless Steel: Marine Style - Recessed Head Part Number: * BLP-079-0127-MRE-S4
7.94	12.70	8.38	9.53	Carbon Steel: T-Handle - Commercial Part Number: BLP-079-0127-TC-C
7.94	12.70	8.38	9.52	Carbon Steel: Button Handle - Steel Part Number: * BLP-079-0127-BT-C
7.94	12.70	8.38	9.52	Aluminium and Carbon Steel: T-Handle - Industrial - Steel and Aluminium Part Number: * BLP-079-0127-TI-AC
7.94	12.70	8.38	9.53	17-4 PH or PH15-7MO shank with CRES440C spindle: High Tension - Industrial Part Number: * BLP-079-0127-HTI-S17
7.94	12.70	10.16	9.45	17-4 PH Stainless Steel: T-Handle - Stainless Steel - Heavy Duty Part Number: BLP-079-0127-THD-S17
7.94	12.70	9.53	9.09	316 Stainless Steel: Keyring Style - 316 Stainless Steel Part Number: * BLP-079-0127-K1-S6
7.94	12.70	9.53	9.09	304 Stainless Steel: Keyring Style - 303/304 Stainless Steel Part Number: * BLP-079-0127-K2-S4
7.94 x 19.05 mm		<i>(0.31 x 0.75 in.)</i>		
7.94	19.05	10.16	9.45	304 Stainless Steel: Marine Style - Recessed Head Part Number: BLP-079-0191-MRE-S4
7.94	19.05	10.16	9.45	304 Stainless Steel: Marine Style - Half Ring Part Number: * BLP-079-0191-MHR-S4
7.94	19.05	8.38	9.52	17-4 PH Stainless Steel: Button Handle - Stainless Steel Part Number: BLP-079-0191-BT-S17
7.94	19.05	9.53	9.09	316 Stainless Steel: Keyring Style - 316 Stainless Steel Part Number: * BLP-079-0191-K1-S6
7.94	19.05	9.53	9.09	304 Stainless Steel: Keyring Style - 303/304 Stainless Steel Part Number: BLP-079-0191-K2-S4

Ball Lock Pins

Nominal Pin Dia. A (mm)	Grip Length (mm)	End Distance C (mm)	Open Ball Distance B (mm)	
7.94 x 20.32 mm (0.31 x 0.80 in.)				
7.94	20.32	9.53	9.09	Carbon Steel: Keyring Style - Steel Part Number: BLP-079-0203-K1-C
7.94	20.32	9.53	9.09	303 Stainless Steel: Keyring Style - 303/304 Stainless Steel Part Number: BLP-079-0203-K1-S3
7.94 x 25.40 mm (0.31 x 1.00 in.)				
7.94	25.40	10.16	9.45	304 Stainless Steel: Marine Style - Recessed Head Part Number: * BLP-079-0254-MRE-S4
7.94	25.40	10.16	9.45	304 Stainless Steel: Marine Style - Half Ring Part Number: * BLP-079-0254-MHR-S4
7.94	25.40	8.38	9.53	Carbon Steel: T-Handle - Commercial Part Number: BLP-079-0254-TC-C
7.94	25.40	8.38	9.53	Carbon Steel: Button Handle - Commercial Part Number: BLP-079-0254-BTC-C
7.94	25.40	8.38	9.52	17-4 PH Stainless Steel: T-Handle - Industrial - Stainless Steel Part Number: BLP-079-0254-TI-S17
7.94	25.40	8.38	9.52	Carbon steel with aluminium handle, stainless ball and ring.: L-Handle - Industrial - Steel Part Number: * BLP-079-0254-LI-C
7.94	25.40	8.38	9.52	Carbon Steel: Button Handle - Steel Part Number: * BLP-079-0254-BT-C
7.94	25.40	8.38	9.52	17-4 PH Stainless Steel: Ring Handle - Industrial - Stainless Steel Part Number: BLP-079-0254-RHI-S17
7.94	25.40	8.38	9.52	Carbon Steel: Ring Handle - Industrial - Steel Part Number: * BLP-079-0254-RHI-C
7.94	25.40	8.38	9.52	17-4 PH Stainless Steel: Button Handle - Stainless Steel Part Number: BLP-079-0254-BT-S17
7.94	25.40	8.38	9.52	Aluminium and Carbon Steel: T-Handle - Industrial - Steel and Aluminium Part Number: * BLP-079-0254-TI-AC
7.94	25.40	8.38	9.53	17-4 PH Stainless Steel: L-Handle - Industrial - Stainless Steel Part Number: BLP-079-0254-LI-S17
7.94	25.40	8.38	9.53	17-4 PH or PH15-7MO shank with CRES440C spindle: High Tension - Industrial Part Number: BLP-079-0254-HTI-S17
7.94	25.40	8.38	9.53	17-4 PH Stainless Steel: Double Acting - Ring Handle - Stainless Steel Part Number: BLP-079-0254-DR-S17
7.94	25.40	8.38	9.53	17-4 PH Stainless Steel: Double Acting - T-Handle - Stainless Steel Part Number: BLP-079-0254-DT-S17
7.94	25.40	9.09	9.53	Carbon Steel: Shoulder Type - Ring Handle Part Number: BLP-079-0254-RSH-C
7.94	25.40	9.09	9.53	Carbon Steel: Shoulder Type - T Handle Part Number: BLP-079-0254-TSH-C
7.94	25.40	9.53	9.09	Carbon Steel: Keyring Style - Steel Part Number: BLP-079-0254-K1-C
7.94	25.40	10.16	9.45	17-4 PH Stainless Steel: T-Handle - Stainless Steel - Heavy Duty Part Number: BLP-079-0254-THD-S17
7.94	25.40			303 Stainless Steel: Threaded End - Stainless Steel Part Number: BLP-079-0254-THR-S3
7.94	25.40	9.53	9.09	316 Stainless Steel: Keyring Style - 316 Stainless Steel Part Number: BLP-079-0254-K1-S6
7.94	25.40	9.53	9.09	303 Stainless Steel: Keyring Style - 303/304 Stainless Steel Part Number: BLP-079-0254-K1-S3
7.94	25.40	9.53	9.09	304 Stainless Steel: Keyring Style - 303/304 Stainless Steel Part Number: BLP-079-0254-K2-S4
7.94 x 31.70 mm (0.31 x 1.25 in.)				
7.94	31.70	8.38	9.52	17-4 PH Stainless Steel: Button Handle - Stainless Steel Part Number: BLP-079-0317-BT-S17
7.94 x 31.75 mm (0.31 x 1.25 in.)				
7.94	31.75	10.16	9.45	304 Stainless Steel: Marine Style - Recessed Head Part Number: * BLP-079-0318-MRE-S4
7.94	31.75	10.16	9.45	304 Stainless Steel: Marine Style - Half Ring Part Number: * BLP-079-0318-MHR-S4

Stocked or Short Delivery (up to 4 weeks)
 Usually 4-6 week delivery
 Long delivery or not in current production

* Large Minimum Quantities

** Available only while stock lasts

Ball Lock Pins

Nominal Pin Dia. A (mm)	Grip Length (mm)	End Distance C (mm)	Open Ball Distance B (mm)	
7.94 x 31.75 mm (0.31 x 1.25 in.)				
7.94	31.75	9.53	9.09	316 Stainless Steel: Keyring Style - 316 Stainless Steel Part Number: * BLP-079-0318-K1-S6
7.94	31.75	9.53	9.09	304 Stainless Steel: Keyring Style - 303/304 Stainless Steel Part Number: BLP-079-0318-K2-S4
7.94 x 33.02 mm (0.31 x 1.30 in.)				
7.94	33.02	9.53	9.09	Carbon Steel: Keyring Style - Steel Part Number: BLP-079-0330-K1-C
7.94	33.02	9.53	9.09	303 Stainless Steel: Keyring Style - 303/304 Stainless Steel Part Number: BLP-079-0330-K1-S3
7.94 x 38.10 mm (0.31 x 1.50 in.)				
7.94	38.10	10.16	9.45	304 Stainless Steel: Marine Style - Recessed Head Part Number: * BLP-079-0381-MRE-S4
7.94	38.10	10.16	9.45	304 Stainless Steel: Marine Style - Half Ring Part Number: * BLP-079-0381-MHR-S4
7.94	38.10	8.38	9.53	Carbon Steel: T-Handle - Commercial Part Number: BLP-079-0381-TC-C
7.94	38.10	8.38	9.53	Carbon Steel: Button Handle - Commercial Part Number: BLP-079-0381-BTC-C
7.94	38.10	8.38	9.52	17-4 PH Stainless Steel: T-Handle - Industrial - Stainless Steel Part Number: BLP-079-0381-TI-S17
7.94	38.10	8.38	9.52	Carbon Steel: Button Handle - Steel Part Number: * BLP-079-0381-BT-C
7.94	38.10	8.38	9.52	Carbon steel with aluminium handle, stainless ball and ring.: L-Handle - Industrial - Steel Part Number: * BLP-079-0381-LI-C
7.94	38.10	8.38	9.52	17-4 PH Stainless Steel: Ring Handle - Industrial - Stainless Steel Part Number: BLP-079-0381-RHI-S17
7.94	38.10	8.38	9.52	Carbon Steel: Ring Handle - Industrial - Steel Part Number: * BLP-079-0381-RHI-C
7.94	38.10	8.38	9.52	17-4 PH Stainless Steel: Button Handle - Stainless Steel Part Number: BLP-079-0381-BT-S17
7.94	38.10	8.38	9.52	Aluminium and Carbon Steel: T-Handle - Industrial - Steel and Aluminium Part Number: * BLP-079-0381-TI-AC
7.94	38.10	8.38	9.53	17-4 PH Stainless Steel: L-Handle - Industrial - Stainless Steel Part Number: BLP-079-0381-LI-S17
7.94	38.10	8.38	9.53	17-4 PH or PH15-7MO shank with CRES440C spindle: High Tension - Industrial Part Number: * BLP-079-0381-HTI-S17
7.94	38.10	8.38	9.53	17-4 PH Stainless Steel: Double Acting - Ring Handle - Stainless Steel Part Number: * BLP-079-0381-DR-S17
7.94	38.10	8.38	9.53	17-4 PH Stainless Steel: Double Acting - L-Handle - Stainless Steel Part Number: BLP-079-0381-DL-S17
7.94	38.10	8.38	9.53	17-4 PH Stainless Steel: Double Acting - T-Handle - Stainless Steel Part Number: BLP-079-0381-DT-S17
7.94	38.10	9.09	9.53	Carbon Steel: Shoulder Type - Ring Handle Part Number: BLP-079-0381-RSH-C
7.94	38.10	9.09	9.53	Carbon Steel: Shoulder Type - T Handle Part Number: BLP-079-0381-TSH-C
7.94	38.10	9.53	9.09	Carbon Steel: Ball Handle - Plastic Handle Part Number: BLP-079-0381-BL-C
7.94	38.10	9.53	9.09	Carbon Steel: Keyring Style - Steel Part Number: BLP-079-0381-K1-C
7.94	38.10	10.16	9.45	17-4 PH Stainless Steel: T-Handle - Stainless Steel - Heavy Duty Part Number: BLP-079-0381-THD-S17
7.94	38.10			303 Stainless Steel: Threaded End - Stainless Steel Part Number: BLP-079-0381-THR-S3
7.94	38.10	9.53	9.09	303 Stainless Steel: Keyring Style - 303/304 Stainless Steel Part Number: BLP-079-0381-K1-S3
7.94	38.10	9.53	9.09	316 Stainless Steel: Keyring Style - 316 Stainless Steel Part Number: BLP-079-0381-K1-S6
7.94	38.10	9.53	9.09	304 Stainless Steel: Keyring Style - 303/304 Stainless Steel Part Number: BLP-079-0381-K2-S4

Stocked or Short Delivery (up to 4 weeks)
 Usually 4-6 week delivery
 Long delivery or not in current production

* Large Minimum Quantities

** Available only while stock lasts

Ball Lock Pins

Nominal Pin Dia. A (mm)	Grip Length (mm)	End Distance C (mm)	Open Ball Distance B (mm)	
7.94 x 44.45 mm		<i>(0.31 x 1.75 in.)</i>		
7.94	44.45	10.16	9.45	304 Stainless Steel: Marine Style - Half Ring Part Number: * BLP-079-0445-MHR-S4
7.94	44.45	9.53	9.09	316 Stainless Steel: Keyring Style - 316 Stainless Steel Part Number: * BLP-079-0445-K1-S6
7.94	44.45	9.53	9.09	304 Stainless Steel: Keyring Style - 303/304 Stainless Steel Part Number: * BLP-079-0445-K2-S4
7.94 x 50.80 mm		<i>(0.31 x 2.00 in.)</i>		
7.94	50.80	10.16	9.45	304 Stainless Steel: Marine Style - Half Ring Part Number: BLP-079-0508-MHR-S4
7.94	50.80	10.16	9.45	304 Stainless Steel: Marine Style - Recessed Head Part Number: * BLP-079-0508-MRE-S4
7.94	50.80	8.38	9.53	Carbon Steel: T-Handle - Commercial Part Number: BLP-079-0508-TC-C
7.94	50.80	8.38	9.53	Carbon Steel: Button Handle - Commercial Part Number: BLP-079-0508-BTC-C
7.94	50.80	8.38	9.52	17-4 PH Stainless Steel: T-Handle - Industrial - Stainless Steel Part Number: BLP-079-0508-TI-S17
7.94	50.80	8.38	9.52	Carbon Steel: Button Handle - Steel Part Number: * BLP-079-0508-BT-C
7.94	50.80	8.38	9.52	Carbon steel with aluminium handle, stainless ball and ring.: L-Handle - Industrial - Steel Part Number: * BLP-079-0508-LI-C
7.94	50.80	8.38	9.52	17-4 PH Stainless Steel: Ring Handle - Industrial - Stainless Steel Part Number: BLP-079-0508-RHI-S17
7.94	50.80	8.38	9.52	Carbon Steel: Ring Handle - Industrial - Steel Part Number: * BLP-079-0508-RHI-C
7.94	50.80	8.38	9.52	17-4 PH Stainless Steel: Button Handle - Stainless Steel Part Number: * BLP-079-0508-BT-S17
7.94	50.80	8.38	9.52	Aluminium and Carbon Steel: T-Handle - Industrial - Steel and Aluminium Part Number: * BLP-079-0508-TI-AC
7.94	50.80	8.38	9.53	17-4 PH Stainless Steel: L-Handle - Industrial - Stainless Steel Part Number: BLP-079-0508-LI-S17
7.94	50.80	8.38	9.53	17-4 PH or PH15-7MO shank with CRES440C spindle: High Tension - Industrial Part Number: BLP-079-0508-HTI-S17
7.94	50.80	8.38	9.53	17-4 PH Stainless Steel: Double Acting - T-Handle - Stainless Steel Part Number: BLP-079-0508-DT-S17
7.94	50.80	9.53	9.09	Carbon Steel: T-Handle - Plastic Handle Part Number: BLP-079-0508-T-PC
7.94	50.80	9.53	9.09	Carbon Steel: Keyring Style - Steel Part Number: BLP-079-0508-K1-C
7.94	50.80	10.16	9.45	17-4 PH Stainless Steel: T-Handle - Stainless Steel - Heavy Duty Part Number: BLP-079-0508-THD-S17
7.94	50.80	9.09	9.53	Carbon Steel: Shoulder Type - Ring Handle Part Number: BLP-079-0508-RSH-C
7.94	50.80	9.09	9.53	Carbon Steel: Shoulder Type - T Handle Part Number: BLP-079-0508-TSH-C
7.94	50.80	9.53	9.09	303 Stainless Steel: Keyring Style - 303/304 Stainless Steel Part Number: BLP-079-0508-K1-S3
7.94	50.80	9.53	9.09	316 Stainless Steel: Keyring Style - 316 Stainless Steel Part Number: * BLP-079-0508-K1-S6
7.94	50.80	9.53	9.09	304 Stainless Steel: Keyring Style - 303/304 Stainless Steel Part Number: * BLP-079-0508-K2-S4
7.94 x 57.15 mm		<i>(0.31 x 2.25 in.)</i>		
7.94	57.15	10.16	9.45	304 Stainless Steel: Marine Style - Recessed Head Part Number: * BLP-079-0572-MRE-S4
7.94	57.15	10.16	9.45	304 Stainless Steel: Marine Style - Half Ring Part Number: * BLP-079-0572-MHR-S4
7.94	57.15	9.53	9.09	316 Stainless Steel: Keyring Style - 316 Stainless Steel Part Number: * BLP-079-0572-K1-S6
7.94	57.15	9.53	9.09	304 Stainless Steel: Keyring Style - 303/304 Stainless Steel Part Number: * BLP-079-0572-K2-S4

Ball Lock Pins

Nominal Pin Dia. A (mm)	Grip Length (mm)	End Distance C (mm)	Open Ball Distance B (mm)	
7.94 x 63.50 mm		<i>(0.31 x 2.50 in.)</i>		
7.94	63.50	10.16	9.45	304 Stainless Steel: Marine Style - Half Ring Part Number: BLP-079-0635-MHR-S4
7.94	63.50	10.16	9.45	304 Stainless Steel: Marine Style - Recessed Head Part Number: * BLP-079-0635-MRE-S4
7.94	63.50	8.38	9.53	Carbon Steel: T-Handle - Commercial Part Number: BLP-079-0635-TC-C
7.94	63.50	8.38	9.53	Carbon Steel: Button Handle - Commercial Part Number: BLP-079-0635-BTC-C
7.94	63.50	8.38	9.52	17-4 PH Stainless Steel: T-Handle - Industrial - Stainless Steel Part Number: BLP-079-0635-TI-S17
7.94	63.50	8.38	9.52	Carbon Steel: Button Handle - Steel Part Number: * BLP-079-0635-BT-C
7.94	63.50	8.38	9.52	Carbon steel with aluminium handle, stainless ball and ring.: L-Handle - Industrial - Steel Part Number: * BLP-079-0635-LI-C
7.94	63.50	8.38	9.52	17-4 PH Stainless Steel: Ring Handle - Industrial - Stainless Steel Part Number: BLP-079-0635-RHI-S17
7.94	63.50	8.38	9.52	Carbon Steel: Ring Handle - Industrial - Steel Part Number: BLP-079-0635-RHI-C
7.94	63.50	8.38	9.52	17-4 PH Stainless Steel: Button Handle - Stainless Steel Part Number: BLP-079-0635-BT-S17
7.94	63.50	8.38	9.52	Aluminium and Carbon Steel: T-Handle - Industrial - Steel and Aluminium Part Number: * BLP-079-0635-TI-AC
7.94	63.50	8.38	9.53	17-4 PH Stainless Steel: L-Handle - Industrial - Stainless Steel Part Number: BLP-079-0635-LI-S17
7.94	63.50	8.38	9.53	17-4 PH Stainless Steel: Double Acting - Ring Handle - Stainless Steel Part Number: BLP-079-0635-DR-S17
7.94	63.50	8.38	9.53	17-4 PH Stainless Steel: Double Acting - T-Handle - Stainless Steel Part Number: BLP-079-0635-DT-S17
7.94	63.50	9.53	9.09	Carbon Steel: T-Handle - Plastic Handle Part Number: BLP-079-0635-T-PC
7.94	63.50	9.53	9.09	Carbon Steel: Keyring Style - Steel Part Number: BLP-079-0635-K1-C
7.94	63.50	10.16	9.45	17-4 PH Stainless Steel: T-Handle - Stainless Steel - Heavy Duty Part Number: BLP-079-0635-THD-S17
7.94	63.50	9.53	9.09	303 Stainless Steel: Keyring Style - 303/304 Stainless Steel Part Number: BLP-079-0635-K1-S3
7.94	63.50	9.53	9.09	316 Stainless Steel: Keyring Style - 316 Stainless Steel Part Number: BLP-079-0635-K1-S6
7.94	63.50	9.53	9.09	304 Stainless Steel: Keyring Style - 303/304 Stainless Steel Part Number: * BLP-079-0635-K2-S4
7.94 x 69.85 mm		<i>(0.31 x 2.75 in.)</i>		
7.94	69.85	10.16	9.45	304 Stainless Steel: Marine Style - Half Ring Part Number: * BLP-079-0699-MHR-S4
7.94	69.85	10.16	9.45	304 Stainless Steel: Marine Style - Recessed Head Part Number: * BLP-079-0699-MRE-S4
7.94	69.85	9.53	9.09	316 Stainless Steel: Keyring Style - 316 Stainless Steel Part Number: * BLP-079-0699-K1-S6
7.94	69.85	9.53	9.09	304 Stainless Steel: Keyring Style - 303/304 Stainless Steel Part Number: * BLP-079-0699-K2-S4
7.94 x 76.20 mm		<i>(0.31 x 3.00 in.)</i>		
7.94	76.20	10.16	9.45	304 Stainless Steel: Marine Style - Recessed Head Part Number: * BLP-079-0762-MRE-S4
7.94	76.20	10.16	9.45	304 Stainless Steel: Marine Style - Half Ring Part Number: * BLP-079-0762-MHR-S4
7.94	76.20	8.38	9.53	Carbon Steel: T-Handle - Commercial Part Number: BLP-079-0762-TC-C
7.94	76.20	8.38	9.53	Carbon Steel: Button Handle - Commercial Part Number: BLP-079-0762-BTC-C
7.94	76.20	8.38	9.52	17-4 PH Stainless Steel: T-Handle - Industrial - Stainless Steel Part Number: BLP-079-0762-TI-S17

Ball Lock Pins

Nominal Pin Dia. A (mm)	Grip Length (mm)	End Distance C (mm)	Open Ball Distance B (mm)	
7.94 x 76.20 mm		<i>(0.31 x 3.00 in.)</i>		
7.94	76.20	8.38	9.52	Carbon Steel: Button Handle - Steel Part Number: * BLP-079-0762-BT-C
7.94	76.20	8.38	9.52	Carbon steel with aluminium handle, stainless ball and ring.: L-Handle - Industrial - Steel Part Number: * BLP-079-0762-LI-C
7.94	76.20	8.38	9.52	Carbon Steel: Ring Handle - Industrial - Steel Part Number: * BLP-079-0762-RHI-C
7.94	76.20	8.38	9.52	17-4 PH Stainless Stainless: Button Handle - Stainless Steel Part Number: BLP-079-0762-BT-S17
7.94	76.20	8.38	9.52	Aluminium and Carbon Steel: T-Handle - Industrial - Steel and Aluminium Part Number: * BLP-079-0762-TI-AC
7.94	76.20	8.38	9.53	17-4 PH Stainless Stainless: L-Handle - Industrial - Stainless Steel Part Number: BLP-079-0762-LI-S17
7.94	76.20	8.38	9.53	17-4 PH or PH15-7MO shank with CRES440C spindle: High Tension - Industrial Part Number: BLP-079-0762-HTI-S17
7.94	76.20	9.27	11.18	17-4 PH Stainless Stainless: Double Acting - T-Handle - Stainless Steel Part Number: BLP-079-0762-DT-S17
7.94	76.20	9.53	9.09	Carbon Steel: Keyring Style - Steel Part Number: BLP-079-0762-K1-C
7.94	76.20	10.16	9.45	17-4 PH Stainless Stainless: T-Handle - Stainless Steel - Heavy Duty Part Number: BLP-079-0762-THD-S17
7.94	76.20	9.53	9.09	303 Stainless Steel: Keyring Style - 303/304 Stainless Steel Part Number: BLP-079-0762-K1-S3
7.94	76.20	9.53	9.09	316 Stainless Steel: Keyring Style - 316 Stainless Steel Part Number: BLP-079-0762-K1-S6
7.94	76.20	9.53	9.09	304 Stainless Steel: Keyring Style - 303/304 Stainless Steel Part Number: BLP-079-0762-K2-S4
7.94 x 82.55 mm		<i>(0.31 x 3.25 in.)</i>		
7.94	82.55	10.16	9.45	304 Stainless Steel: Marine Style - Recessed Head Part Number: BLP-079-0826-MRE-S4
7.94	82.55	10.16	9.45	304 Stainless Steel: Marine Style - Half Ring Part Number: * BLP-079-0826-MHR-S4
7.94	82.55	9.53	9.09	316 Stainless Steel: Keyring Style - 316 Stainless Steel Part Number: * BLP-079-0826-K1-S6
7.94	82.55	9.53	9.09	304 Stainless Steel: Keyring Style - 303/304 Stainless Steel Part Number: * BLP-079-0826-K2-S4
7.94 x 88.90 mm		<i>(0.31 x 3.50 in.)</i>		
7.94	88.90	10.16	9.45	304 Stainless Steel: Marine Style - Half Ring Part Number: BLP-079-0889-MHR-S4
7.94	88.90	10.16	9.45	304 Stainless Steel: Marine Style - Recessed Head Part Number: * BLP-079-0889-MRE-S4
7.94	88.90	8.38	9.53	Carbon Steel: T-Handle - Commercial Part Number: BLP-079-0889-TC-C
7.94	88.90	8.38	9.53	Carbon Steel: Button Handle - Commercial Part Number: BLP-079-0889-BTC-C
7.94	88.90	8.38	9.52	17-4 PH Stainless Stainless: T-Handle - Industrial - Stainless Steel Part Number: * BLP-079-0889-TI-S17
7.94	88.90	8.38	9.52	Carbon Steel: Button Handle - Steel Part Number: * BLP-079-0889-BT-C
7.94	88.90	8.38	9.52	17-4 PH Stainless Stainless: Button Handle - Stainless Steel Part Number: * BLP-079-0889-BT-S17
7.94	88.90	8.38	9.52	Aluminium and Carbon Steel: T-Handle - Industrial - Steel and Aluminium Part Number: * BLP-079-0889-TI-AC
7.94	88.90	9.53	9.09	Carbon Steel: Keyring Style - Steel Part Number: BLP-079-0889-K1-C
7.94	88.90	10.16	9.45	17-4 PH Stainless Stainless: T-Handle - Stainless Steel - Heavy Duty Part Number: * BLP-079-0889-THD-S17
7.94	88.90	9.53	9.09	303 Stainless Steel: Keyring Style - 303/304 Stainless Steel Part Number: BLP-079-0889-K1-S3
7.94	88.90	9.53	9.09	316 Stainless Steel: Keyring Style - 316 Stainless Steel Part Number: * BLP-079-0889-K1-S6



Stocked or Short Delivery (up to 4 weeks)



Usually 4-6 week delivery



Long delivery or not in current production

* Large Minimum Quantities

** Available only while stock lasts

Ball Lock Pins

Nominal Pin Dia. A (mm)	Grip Length (mm)	End Distance C (mm)	Open Ball Distance B (mm)	
7.94 x 88.90 mm (0.31 x 3.50 in.)				
7.94	88.90	9.53	9.09	304 Stainless Steel: Keyring Style - 303/304 Stainless Steel Part Number: * BLP-079-0889-K2-S4
7.94 x 95.25 mm (0.31 x 3.75 in.)				
7.94	95.25	10.16	9.45	304 Stainless Steel: Marine Style - Half Ring Part Number: * BLP-079-0953-MHR-S4
7.94	95.25	10.16	9.45	304 Stainless Steel: Marine Style - Recessed Head Part Number: * BLP-079-0953-MRE-S4
7.94	95.25	9.53	9.09	316 Stainless Steel: Keyring Style - 316 Stainless Steel Part Number: * BLP-079-0953-K1-S6
7.94	95.25	9.53	9.09	304 Stainless Steel: Keyring Style - 303/304 Stainless Steel Part Number: * BLP-079-0953-K2-S4
7.94 x 101.60 mm (0.31 x 4.00 in.)				
7.94	101.60	10.16	9.45	304 Stainless Steel: Marine Style - Half Ring Part Number: * BLP-079-1016-MHR-S4
7.94	101.60	10.16	9.45	304 Stainless Steel: Marine Style - Recessed Head Part Number: * BLP-079-1016-MRE-S4
7.94	101.60	8.38	9.53	Carbon Steel: T-Handle - Commercial Part Number: BLP-079-1016-TC-C
7.94	101.60	8.38	9.53	Carbon Steel: Button Handle - Commercial Part Number: BLP-079-1016-BTC-C
7.94	101.60	8.38	9.52	17-4 PH Stainless Steel: T-Handle - Industrial - Stainless Steel Part Number: BLP-079-1016-TI-S17
7.94	101.60	8.38	9.52	Carbon steel with aluminium handle, stainless ball and ring.: L-Handle - Industrial - Steel Part Number: BLP-079-1016-LI-C
7.94	101.60	8.38	9.52	Carbon Steel: Button Handle - Steel Part Number: * BLP-079-1016-BT-C
7.94	101.60	8.38	9.52	Carbon Steel: Ring Handle - Industrial - Steel Part Number: * BLP-079-1016-RHI-C
7.94	101.60	8.38	9.52	17-4 PH Stainless Steel: Button Handle - Stainless Steel Part Number: BLP-079-1016-BT-S17
7.94	101.60	8.38	9.52	Aluminium and Carbon Steel: T-Handle - Industrial - Steel and Aluminium Part Number: * BLP-079-1016-TI-AC
7.94	101.60	8.38	9.53	17-4 PH Stainless Steel: L-Handle - Industrial - Stainless Steel Part Number: BLP-079-1016-LI-S17
7.94	101.60	8.38	9.53	17-4 PH or PH15-7MO shank with CRES440C spindle: High Tension - Industrial Part Number: BLP-079-1016-HTI-S17
7.94	101.60	9.53	9.09	Carbon Steel: Keyring Style - Steel Part Number: BLP-079-1016-K1-C
7.94	101.60	10.16	9.45	17-4 PH Stainless Steel: T-Handle - Stainless Steel - Heavy Duty Part Number: BLP-079-1016-THD-S17
7.94	101.60	9.53	9.09	303 Stainless Steel: Keyring Style - 303/304 Stainless Steel Part Number: BLP-079-1016-K1-S3
7.94	101.60	9.53	9.09	316 Stainless Steel: Keyring Style - 316 Stainless Steel Part Number: BLP-079-1016-K1-S6
7.94	101.60	9.53	9.09	304 Stainless Steel: Keyring Style - 303/304 Stainless Steel Part Number: * BLP-079-1016-K2-S4
7.94 x 114.30 mm (0.31 x 4.50 in.)				
7.94	114.30	8.38	9.52	Carbon Steel: Button Handle - Steel Part Number: * BLP-079-1143-BT-C
7.94	114.30	8.38	9.52	Carbon Steel: Ring Handle - Industrial - Steel Part Number: * BLP-079-1143-RHI-C
7.94	114.30	8.38	9.52	Aluminium and Carbon Steel: T-Handle - Industrial - Steel and Aluminium Part Number: * BLP-079-1143-TI-AC
7.94	114.30	10.16	9.45	17-4 PH Stainless Steel: T-Handle - Stainless Steel - Heavy Duty Part Number: * BLP-079-1143-THD-S17
7.94 x 127.00 mm (0.31 x 5.00 in.)				
7.94	127.00	10.16	9.45	304 Stainless Steel: Marine Style - Half Ring Part Number: * BLP-079-1270-MHR-S4
7.94	127.00	10.16	9.45	304 Stainless Steel: Marine Style - Recessed Head Part Number: * BLP-079-1270-MRE-S4

Stocked or Short Delivery (up to 4 weeks)
 Usually 4-6 week delivery
 Long delivery or not in current production

* Large Minimum Quantities

** Available only while stock lasts

Ball Lock Pins

Nominal Pin Dia. A (mm)	Grip Length (mm)	End Distance C (mm)	Open Ball Distance B (mm)	
7.94 x 127.00 mm (0.31 x 5.00 in.)				
7.94	127.00	8.38	9.52	17-4 PH Stainless Steel: T-Handle - Industrial - Stainless Steel Part Number: BLP-079-1270-TI-S17
7.94	127.00	8.38	9.52	Carbon Steel: Ring Handle - Industrial - Steel Part Number: * BLP-079-1270-RHI-C
7.94	127.00	8.38	9.52	Aluminium and Carbon Steel: T-Handle - Industrial - Steel and Aluminium Part Number: * BLP-079-1270-TI-AC
7.94 x 152.40 mm (0.31 x 6.00 in.)				
7.94	152.40	10.16	9.45	304 Stainless Steel: Marine Style - Half Ring Part Number: BLP-079-1524-MHR-S4
7.94	152.40	8.38	9.52	17-4 PH Stainless Steel: T-Handle - Industrial - Stainless Steel Part Number: BLP-079-1524-TI-S17
7.94	152.40	8.38	9.52	Carbon Steel: Ring Handle - Industrial - Steel Part Number: * BLP-079-1524-RHI-C
8.00 x 15.00 mm (0.31 x 0.59 in.)				
8.00	15.00	8.00	9.42	Aluminium and 400 Grade Stainless: T-Handle - Industrial - Stainless Steel and Aluminium Part Number: BLP-080-0150-TI-S17
8.00 x 25.00 mm (0.31 x 0.98 in.)				
8.00	25.00	8.00	9.42	Aluminium and Carbon Steel: T-Handle - Industrial - Steel and Aluminium Part Number: BLP-080-0250-TI-AC
8.00	25.00	8.00	9.42	Aluminium and 400 Grade Stainless: T-Handle - Industrial - Stainless Steel and Aluminium Part Number: BLP-080-0250-TI-S17
8.00 x 30.00 mm (0.31 x 1.18 in.)				
8.00	30.00	8.00	9.42	Aluminium and Carbon Steel: T-Handle - Industrial - Steel and Aluminium Part Number: * BLP-080-0300-TI-AC
8.00 x 40.00 mm (0.31 x 1.57 in.)				
8.00	40.00	8.00	9.42	Aluminium and 400 Grade Stainless: T-Handle - Industrial - Stainless Steel and Aluminium Part Number: BLP-080-0400-TI-S17
8.00	40.00	8.00	9.42	Aluminium and Carbon Steel: T-Handle - Industrial - Steel and Aluminium Part Number: * BLP-080-0400-TI-AC
8.00 x 50.00 mm (0.31 x 1.97 in.)				
8.00	50.00	8.00	9.42	Aluminium and Carbon Steel: T-Handle - Industrial - Steel and Aluminium Part Number: * BLP-080-0500-TI-AC
8.00	50.00	8.00	9.42	Aluminium and 400 Grade Stainless: T-Handle - Industrial - Stainless Steel and Aluminium Part Number: * BLP-080-0500-TI-S17
8.00 x 75.00 mm (0.31 x 2.95 in.)				
8.00	75.00	8.00	9.42	Aluminium and 400 Grade Stainless: T-Handle - Industrial - Stainless Steel and Aluminium Part Number: * BLP-080-0750-TI-S17
8.00 x 100.00 mm (0.31 x 3.94 in.)				
8.00	100.00	8.00	9.42	Aluminium and Carbon Steel: T-Handle - Industrial - Steel and Aluminium Part Number: BLP-080-1000-TI-AC
9.53 x 6.35 mm (0.38 x 0.25 in.)				
9.53	6.35	12.45	11.13	304 Stainless Steel: Marine Style - Recessed Head Part Number: * BLP-095-0064-MRE-S4
9.53	6.35	12.45	11.13	304 Stainless Steel: Marine Style - Half Ring Part Number: * BLP-095-0064-MHR-S4
9.53	6.35	12.70	10.82	316 Stainless Steel: Keyring Style - 316 Stainless Steel Part Number: * BLP-095-0064-K1-S6
9.53	6.35	12.70	10.82	304 Stainless Steel: Keyring Style - 303/304 Stainless Steel Part Number: * BLP-095-0064-K2-S4
9.53 x 12.70 mm (0.38 x 0.50 in.)				
9.53	12.70	12.45	11.13	304 Stainless Steel: Marine Style - Recessed Head Part Number: * BLP-095-0127-MRE-S4
9.53	12.70	9.27	11.17	Carbon Steel: Button Handle - Steel Part Number: * BLP-095-0127-BT-C
9.53	12.70	9.27	11.17	Carbon Steel: Ring Handle - Industrial - Steel Part Number: * BLP-095-0127-RHI-C

Stocked or Short Delivery (up to 4 weeks)
 Usually 4-6 week delivery
 Long delivery or not in current production

* Large Minimum Quantities

** Available only while stock lasts

Ball Lock Pins

Nominal Pin Dia. A (mm)	Grip Length (mm)	End Distance C (mm)	Open Ball Distance B (mm)	
9.53 x 12.70 mm (0.38 x 0.50 in.)				
9.53	12.70	9.27	11.17	Aluminium and Carbon Steel: T-Handle - Industrial - Steel and Aluminium Part Number: * BLP-095-0127-TI-AC
9.53	12.70	9.27	11.18	17-4 PH or PH15-7MO shank with CRES440C spindle: High Tension - Industrial Part Number: BLP-095-0127-HTI-S17
9.53	12.70	10.80	11.13	Carbon Steel: Shackle Part Number: * BLP-095-0127-SHK-C
9.53	12.70	9.27	11.18	Carbon Steel: T-Handle - Commercial Part Number: BLP-095-0127-TC-C
9.53	12.70	9.27	11.18	Carbon Steel: Button Handle - Commercial Part Number: BLP-095-0127-BTC-C
9.53	12.70	12.45	11.13	17-4 PH Stainless Steel: T-Handle - Stainless Steel - Heavy Duty Part Number: BLP-095-0127-THD-S17
9.53	12.70	12.70	10.82	304 Stainless Steel: Keyring Style - 303/304 Stainless Steel Part Number: BLP-095-0127-K1-S4
9.53	12.70	12.70	10.82	316 Stainless Steel: Keyring Style - 316 Stainless Steel Part Number: * BLP-095-0127-K1-S6
9.53	12.70	12.45	11.13	304 Stainless Steel: Marine Style - Half Ring Part Number: BLP-095-0127-MHR-S4
9.53 x 15.24 mm (0.38 x 0.60 in.)				
9.53	15.24	10.82	12.70	Carbon Steel: Shoulder Type - Ring Handle Part Number: BLP-095-0152-RSH-C
9.53 x 19.05 mm (0.38 x 0.75 in.)				
9.53	19.05	12.45	11.13	304 Stainless Steel: Marine Style - Half Ring Part Number: * BLP-095-0191-MHR-S4
9.53	19.05	12.45	11.13	304 Stainless Steel: Marine Style - Recessed Head Part Number: * BLP-095-0191-MRE-S4
9.53	19.05	9.27	11.17	17-4 PH Stainless Steel: Button Handle - Stainless Steel Part Number: BLP-095-0191-BT-S17
9.53	19.05	12.70	10.82	316 Stainless Steel: Keyring Style - 316 Stainless Steel Part Number: * BLP-095-0191-K1-S6
9.53	19.05	12.70	10.82	304 Stainless Steel: Keyring Style - 303/304 Stainless Steel Part Number: BLP-095-0191-K2-S4
9.53 x 20.32 mm (0.38 x 0.80 in.)				
9.53	20.32	12.70	10.82	Carbon Steel: Keyring Style - Steel Part Number: BLP-095-0203-K1-C
9.53	20.32	12.70	10.82	303 Stainless Steel: Keyring Style - 303/304 Stainless Steel Part Number: BLP-095-0203-K1-S3
9.53 x 25.40 mm (0.38 x 1.00 in.)				
9.53	25.40	12.45	11.13	304 Stainless Steel: Marine Style - Half Ring Part Number: BLP-095-0254-MHR-S4
9.53	25.40	12.45	11.13	304 Stainless Steel: Marine Style - Recessed Head Part Number: * BLP-095-0254-MRE-S4
9.53	25.40	9.27	11.17	17-4 PH Stainless Steel: T-Handle - Industrial - Stainless Steel Part Number: BLP-095-0254-TI-S17
9.53	25.40	9.27	11.17	Carbon Steel: Button Handle - Steel Part Number: * BLP-095-0254-BT-C
9.53	25.40	9.27	11.17	Carbon steel with aluminium handle, stainless ball and ring.: L-Handle - Industrial - Steel Part Number: * BLP-095-0254-LI-C
9.53	25.40	9.27	11.17	17-4 PH Stainless Steel: Ring Handle - Industrial - Stainless Steel Part Number: BLP-095-0254-RHI-S17
9.53	25.40	9.27	11.17	Carbon Steel: Ring Handle - Industrial - Steel Part Number: * BLP-095-0254-RHI-C
9.53	25.40	9.27	11.17	17-4 PH Stainless Steel: Button Handle - Stainless Steel Part Number: BLP-095-0254-BT-S17
9.53	25.40	9.27	11.17	Aluminium and Carbon Steel: T-Handle - Industrial - Steel and Aluminium Part Number: * BLP-095-0254-TI-AC
9.53	25.40	9.27	11.18	17-4 PH Stainless Steel: L-Handle - Industrial - Stainless Steel Part Number: BLP-095-0254-LI-S17
9.53	25.40	9.27	11.18	17-4 PH or PH15-7MO shank with CRES440C spindle: High Tension - Industrial Part Number: * BLP-095-0254-HTI-S17

Stocked or Short Delivery (up to 4 weeks)
 Usually 4-6 week delivery
 Long delivery or not in current production

* Large Minimum Quantities

** Available only while stock lasts

Ball Lock Pins

Nominal Pin Dia. A (mm)	Grip Length (mm)	End Distance C (mm)	Open Ball Distance B (mm)	
9.53 x 25.40 mm		<i>(0.38 x 1.00 in.)</i>		
9.53	25.40	9.27	11.18	17-4 PH Stainless Stainless: Double Acting - T-Handle - Stainless Steel Part Number: BLP-095-0254-DT-S17
9.53	25.40	9.27	11.18	Carbon Steel: T-Handle - Commercial Part Number: BLP-095-0254-TC-C
9.53	25.40	9.27	11.18	Carbon Steel: Button Handle - Commercial Part Number: BLP-095-0254-BTC-C
9.53	25.40	12.45	11.13	17-4 PH Stainless Stainless: T-Handle - Stainless Steel - Heavy Duty Part Number: BLP-095-0254-THD-S17
9.53	25.40	10.82	12.70	Carbon Steel: Shoulder Type - T Handle Part Number: BLP-095-0254-TSH-C
9.53	25.40	10.82	12.70	Carbon Steel: Shoulder Type - Ring Handle Part Number: BLP-095-0254-RSH-C
9.53	25.40	12.70	10.82	Carbon Steel: Keyring Style - Steel Part Number: BLP-095-0254-K1-C
9.53	25.40	12.70	10.82	303 Stainless Steel: Keyring Style - 303/304 Stainless Steel Part Number: BLP-095-0254-K1-S3
9.53	25.40	12.70	10.82	316 Stainless Steel: Keyring Style - 316 Stainless Steel Part Number: * BLP-095-0254-K1-S6
9.53	25.40	12.70	10.82	304 Stainless Steel: Keyring Style - 303/304 Stainless Steel Part Number: * BLP-095-0254-K2-S4
9.53 x 31.70 mm		<i>(0.38 x 1.25 in.)</i>		
9.53	31.70	9.27	11.17	Carbon Steel: Ring Handle - Industrial - Steel Part Number: * BLP-095-0317-RHI-C
9.53	31.70	9.27	11.17	17-4 PH Stainless Stainless: Button Handle - Stainless Steel Part Number: BLP-095-0317-BT-S17
9.53 x 31.75 mm		<i>(0.38 x 1.25 in.)</i>		
9.53	31.75	12.45	11.13	304 Stainless Steel: Marine Style - Half Ring Part Number: * BLP-095-0318-MHR-S4
9.53	31.75	12.45	11.13	304 Stainless Steel: Marine Style - Recessed Head Part Number: * BLP-095-0318-MRE-S4
9.53	31.75	12.70	10.82	304 Stainless Steel: Keyring Style - 303/304 Stainless Steel Part Number: BLP-095-0318-K1-S4
9.53	31.75	12.70	10.82	316 Stainless Steel: Keyring Style - 316 Stainless Steel Part Number: * BLP-095-0318-K1-S6
9.53 x 33.02 mm		<i>(0.38 x 1.30 in.)</i>		
9.53	33.02	12.70	10.82	Carbon Steel: Keyring Style - Steel Part Number: BLP-095-0330-K1-C
9.53	33.02	12.70	10.82	303 Stainless Steel: Keyring Style - 303/304 Stainless Steel Part Number: BLP-095-0330-K1-S3
9.53 x 38.10 mm		<i>(0.38 x 1.50 in.)</i>		
9.53	38.10	12.45	11.13	304 Stainless Steel: Marine Style - Half Ring Part Number: * BLP-095-0381-MHR-S4
9.53	38.10	12.45	11.13	304 Stainless Steel: Marine Style - Recessed Head Part Number: * BLP-095-0381-MRE-S4
9.53	38.10	9.27	11.17	17-4 PH Stainless Stainless: T-Handle - Industrial - Stainless Steel Part Number: BLP-095-0381-TI-S17
9.53	38.10	9.27	11.17	Carbon steel with aluminium handle, stainless ball and ring.: L-Handle - Industrial - Steel Part Number: * BLP-095-0381-LI-C
9.53	38.10	9.27	11.17	Carbon Steel: Button Handle - Steel Part Number: * BLP-095-0381-BT-C
9.53	38.10	9.27	11.17	17-4 PH Stainless Stainless: Ring Handle - Industrial - Stainless Steel Part Number: BLP-095-0381-RHI-S17
9.53	38.10	9.27	11.17	Carbon Steel: Ring Handle - Industrial - Steel Part Number: * BLP-095-0381-RHI-C
9.53	38.10	9.27	11.17	17-4 PH Stainless Stainless: Button Handle - Stainless Steel Part Number: BLP-095-0381-BT-S17
9.53	38.10	9.27	11.17	Aluminium and Carbon Steel: T-Handle - Industrial - Steel and Aluminium Part Number: * BLP-095-0381-TI-AC
9.53	38.10	9.27	11.18	17-4 PH Stainless Stainless: L-Handle - Industrial - Stainless Steel Part Number: BLP-095-0381-LI-S17

Stocked or Short Delivery (up to 4 weeks)
 Usually 4-6 week delivery
 Long delivery or not in current production

* Large Minimum Quantities

** Available only while stock lasts

Ball Lock Pins

Nominal Pin Dia. A (mm)	Grip Length (mm)	End Distance C (mm)	Open Ball Distance B (mm)	
9.53 x 38.10 mm (0.38 x 1.50 in.)				
9.53	38.10	9.27	11.18	17-4 PH Stainless Stainless: Double Acting - Ring Handle - Stainless Steel Part Number: BLP-095-0381-DR-S17
9.53	38.10	9.27	11.18	17-4 PH Stainless Stainless: Double Acting - T-Handle - Stainless Steel Part Number: BLP-095-0381-DT-S17
9.53	38.10	9.27	11.18	Carbon Steel: T-Handle - Commercial Part Number: BLP-095-0381-TC-C
9.53	38.10	9.27	11.18	Carbon Steel: Button Handle - Commercial Part Number: BLP-095-0381-BTC-C
9.53	38.10	12.45	11.13	17-4 PH Stainless Stainless: T-Handle - Stainless Steel - Heavy Duty Part Number: BLP-095-0381-THD-S17
9.53	38.10	10.82	12.70	Carbon Steel: Shoulder Type - T Handle Part Number: BLP-095-0381-TSH-C
9.53	38.10	10.82	12.70	Carbon Steel: Shoulder Type - Ring Handle Part Number: BLP-095-0381-RSH-C
9.53	38.10	12.70	10.82	Carbon Steel: Ball Handle - Plastic Handle Part Number: BLP-095-0381-BL-C
9.53	38.10	12.70	10.82	Carbon Steel: T-Handle - Plastic Handle Part Number: BLP-095-0381-T-PC
9.53	38.10	12.70	10.82	Carbon Steel: Keyring Style - Steel Part Number: BLP-095-0381-K1-C
9.53	38.10	12.70	10.82	303 Stainless Steel: Keyring Style - 303/304 Stainless Steel Part Number: BLP-095-0381-K1-S3
9.53	38.10	12.70	10.82	316 Stainless Steel: Keyring Style - 316 Stainless Steel Part Number: BLP-095-0381-K1-S6
9.53	38.10	12.70	10.82	304 Stainless Steel: Keyring Style - 303/304 Stainless Steel Part Number: * BLP-095-0381-K2-S4
9.53 x 44.40 mm (0.38 x 1.75 in.)				
9.53	44.40	9.27	11.17	Carbon Steel: Ring Handle - Industrial - Steel Part Number: * BLP-095-0444-RHI-C
9.53 x 44.45 mm (0.38 x 1.75 in.)				
9.53	44.45	12.45	11.13	304 Stainless Steel: Marine Style - Half Ring Part Number: BLP-095-0445-MHR-S4
9.53	44.45	12.45	11.13	304 Stainless Steel: Marine Style - Recessed Head Part Number: BLP-095-0445-MRE-S4
9.53	44.45	12.70	10.82	316 Stainless Steel: Keyring Style - 316 Stainless Steel Part Number: * BLP-095-0445-K1-S6
9.53	44.45	12.70	10.82	304 Stainless Steel: Keyring Style - 303/304 Stainless Steel Part Number: BLP-095-0445-K2-S4
9.53 x 45.72 mm (0.38 x 1.80 in.)				
9.53	45.72	10.82	12.70	Carbon Steel: Shoulder Type - Ring Handle Part Number: BLP-095-0457-RSH-C
9.53	45.72	10.82	12.70	Carbon Steel: Shoulder Type - T Handle Part Number: BLP-095-0457-TSH-C
9.53 x 50.80 mm (0.38 x 2.00 in.)				
9.53	50.80	12.45	11.13	304 Stainless Steel: Marine Style - Recessed Head Part Number: * BLP-095-0508-MRE-S4
9.53	50.80	12.45	11.13	304 Stainless Steel: Marine Style - Half Ring Part Number: * BLP-095-0508-MHR-S4
9.53	50.80	9.27	11.17	17-4 PH Stainless Stainless: T-Handle - Industrial - Stainless Steel Part Number: BLP-095-0508-TI-S17
9.53	50.80	9.27	11.17	Carbon Steel: Button Handle - Steel Part Number: * BLP-095-0508-BT-C
9.53	50.80	9.27	11.17	Carbon steel with aluminium handle, stainless ball and ring.: L-Handle - Industrial - Steel Part Number: * BLP-095-0508-LI-C
9.53	50.80	9.27	11.17	17-4 PH Stainless Stainless: Ring Handle - Industrial - Stainless Steel Part Number: BLP-095-0508-RHI-S17
9.53	50.80	9.27	11.17	Carbon Steel: Ring Handle - Industrial - Steel Part Number: * BLP-095-0508-RHI-C
9.53	50.80	9.27	11.17	17-4 PH Stainless Stainless: Button Handle - Stainless Steel Part Number: BLP-095-0508-BT-S17

Stocked or Short Delivery (up to 4 weeks)
 Usually 4-6 week delivery
 Long delivery or not in current production

* Large Minimum Quantities

** Available only while stock lasts

Ball Lock Pins

Nominal Pin Dia. A (mm)	Grip Length (mm)	End Distance C (mm)	Open Ball Distance B (mm)	
9.53 x 50.80 mm		<i>(0.38 x 2.00 in.)</i>		
9.53	50.80	9.27	11.17	Aluminium and Carbon Steel: T-Handle - Industrial - Steel and Aluminium Part Number: ** BLP-095-0508-TI-AC
9.53	50.80	9.27	11.18	17-4 PH Stainless Stainless: L-Handle - Industrial - Stainless Steel Part Number: BLP-095-0508-LI-S17
9.53	50.80	9.27	11.18	17-4 PH or PH15-7MO shank with CRES440C spindle: High Tension - Industrial Part Number: BLP-095-0508-HTI-S17
9.53	50.80	9.27	11.18	17-4 PH Stainless Stainless: Double Acting - Ring Handle - Stainless Steel Part Number: BLP-095-0508-DR-S17
9.53	50.80	9.27	11.18	17-4 PH Stainless Stainless: Double Acting - L-Handle - Stainless Steel Part Number: BLP-095-0508-DL-S17
9.53	50.80	9.27	11.18	17-4 PH Stainless Stainless: Double Acting - T-Handle - Stainless Steel Part Number: BLP-095-0508-DT-S17
9.53	50.80	9.27	11.18	17-4 PH Stainless Stainless: Double Acting - T-Handle - Stainless Steel Part Number: BLP-095-0508-DTDO-S17
9.53	50.80	10.80	11.13	Carbon Steel: Shackle Part Number: * BLP-095-0508-SHK-C
9.53	50.80	9.27	11.18	Carbon Steel: T-Handle - Commercial Part Number: BLP-095-0508-TC-C
9.53	50.80	9.27	11.18	Carbon Steel: Button Handle - Commercial Part Number: BLP-095-0508-BTC-C
9.53	50.80	12.45	11.13	17-4 PH Stainless Stainless: T-Handle - Stainless Steel - Heavy Duty Part Number: * BLP-095-0508-THD-S17
9.53	50.80	10.82	12.70	Carbon Steel: Shoulder Type - Ring Handle Part Number: BLP-095-0508-RSH-C
9.53	50.80	10.82	12.70	Carbon Steel: Shoulder Type - T Handle Part Number: BLP-095-0508-TSH-C
9.53	50.80	12.70	10.82	Carbon Steel: T-Handle - Plastic Handle Part Number: BLP-095-0508-T-PC
9.53	50.80	12.70	10.82	Carbon Steel: Ball Handle - Plastic Handle Part Number: BLP-095-0508-BL-C
9.53	50.80	12.70	10.82	Carbon Steel: Keyring Style - Steel Part Number: BLP-095-0508-K1-C
9.53	50.80	12.70	10.82	303 Stainless Steel: Keyring Style - 303/304 Stainless Steel Part Number: BLP-095-0508-K1-S3
9.53	50.80	12.70	10.82	316 Stainless Steel: Keyring Style - 316 Stainless Steel Part Number: * BLP-095-0508-K1-S6
9.53	50.80	12.70	10.82	304 Stainless Steel: Keyring Style - 303/304 Stainless Steel Part Number: BLP-095-0508-K2-S4
9.53 x 57.10 mm		<i>(0.38 x 2.25 in.)</i>		
9.53	57.10	9.27	11.17	Carbon Steel: Ring Handle - Industrial - Steel Part Number: * BLP-095-0571-RHI-C
9.53 x 57.15 mm		<i>(0.38 x 2.25 in.)</i>		
9.53	57.15	12.45	11.13	304 Stainless Steel: Marine Style - Recessed Head Part Number: * BLP-095-0572-MRE-S4
9.53	57.15	12.70	10.82	316 Stainless Steel: Keyring Style - 316 Stainless Steel Part Number: * BLP-095-0572-K1-S6
9.53	57.15	12.70	10.82	304 Stainless Steel: Keyring Style - 303/304 Stainless Steel Part Number: * BLP-095-0572-K2-S4
9.53 x 63.50 mm		<i>(0.38 x 2.50 in.)</i>		
9.53	63.50	12.45	11.13	304 Stainless Steel: Marine Style - Recessed Head Part Number: * BLP-095-0635-MRE-S4
9.53	63.50	12.45	11.13	304 Stainless Steel: Marine Style - Half Ring Part Number: * BLP-095-0635-MHR-S4
9.53	63.50	9.27	11.17	Carbon Steel: Button Handle - Steel Part Number: * BLP-095-0635-BT-C
9.53	63.50	9.27	11.17	Carbon steel with aluminium handle, stainless ball and ring.: L-Handle - Industrial - Steel Part Number: * BLP-095-0635-LI-C
9.53	63.50	9.27	11.17	17-4 PH Stainless Stainless: T-Handle - Industrial - Stainless Steel Part Number: * BLP-095-0635-TI-S17

Stocked or Short Delivery (up to 4 weeks)
 Usually 4-6 week delivery
 Long delivery or not in current production

* Large Minimum Quantities

** Available only while stock lasts

Ball Lock Pins

Nominal Pin Dia. A (mm)	Grip Length (mm)	End Distance C (mm)	Open Ball Distance B (mm)	
9.53 x 63.50 mm		<i>(0.38 x 2.50 in.)</i>		
9.53	63.50	9.27	11.17	17-4 PH Stainless Stainless: Ring Handle - Industrial - Stainless Steel Part Number: BLP-095-0635-RHI-S17
9.53	63.50	9.27	11.17	Carbon Steel: Ring Handle - Industrial - Steel Part Number: * BLP-095-0635-RHI-C
9.53	63.50	9.27	11.17	17-4 PH Stainless Stainless: Button Handle - Stainless Steel Part Number: BLP-095-0635-BT-S17
9.53	63.50	9.27	11.17	Aluminium and Carbon Steel: T-Handle - Industrial - Steel and Aluminium Part Number: * BLP-095-0635-TI-AC
9.53	63.50	9.27	11.18	17-4 PH Stainless Stainless: L-Handle - Industrial - Stainless Steel Part Number: BLP-095-0635-LI-S17
9.53	63.50	9.27	11.18	17-4 PH Stainless Stainless: Double Acting - T-Handle - Stainless Steel Part Number: BLP-095-0635-DT-S17
9.53	63.50	9.27	11.18	Carbon Steel: T-Handle - Commercial Part Number: BLP-095-0635-TC-C
9.53	63.50	9.27	11.18	Carbon Steel: Button Handle - Commercial Part Number: BLP-095-0635-BTC-C
9.53	63.50	12.45	11.13	17-4 PH Stainless Stainless: T-Handle - Stainless Steel - Heavy Duty Part Number: BLP-095-0635-THD-S17
9.53	63.50	10.82	12.70	Carbon Steel: Shoulder Type - T Handle Part Number: BLP-095-0635-TSH-C
9.53	63.50	10.82	12.70	Carbon Steel: Shoulder Type - Ring Handle Part Number: BLP-095-0635-RSH-C
9.53	63.50	12.70	10.82	Carbon Steel: T-Handle - Plastic Handle Part Number: BLP-095-0635-T-PC
9.53	63.50	12.70	10.82	Carbon Steel: Keyring Style - Steel Part Number: BLP-095-0635-K1-C
9.53	63.50	12.70	10.82	303 Stainless Steel: Keyring Style - 303/304 Stainless Steel Part Number: BLP-095-0635-K1-S3
9.53	63.50	12.70	10.82	316 Stainless Steel: Keyring Style - 316 Stainless Steel Part Number: * BLP-095-0635-K1-S6
9.53	63.50	12.70	10.82	304 Stainless Steel: Keyring Style - 303/304 Stainless Steel Part Number: * BLP-095-0635-K2-S4
9.53 x 69.85 mm		<i>(0.38 x 2.75 in.)</i>		
9.53	69.85	12.45	11.13	304 Stainless Steel: Marine Style - Recessed Head Part Number: * BLP-095-0699-MRE-S4
9.53	69.85	12.45	11.13	304 Stainless Steel: Marine Style - Half Ring Part Number: * BLP-095-0699-MHR-S4
9.53	69.85	12.70	10.82	316 Stainless Steel: Keyring Style - 316 Stainless Steel Part Number: * BLP-095-0699-K1-S6
9.53	69.85	12.70	10.82	304 Stainless Steel: Keyring Style - 303/304 Stainless Steel Part Number: * BLP-095-0699-K2-S4
9.53 x 76.20 mm		<i>(0.38 x 3.00 in.)</i>		
9.53	76.20	12.45	11.13	304 Stainless Steel: Marine Style - Half Ring Part Number: * BLP-095-0762-MHR-S4
9.53	76.20	12.45	11.13	304 Stainless Steel: Marine Style - Recessed Head Part Number: * BLP-095-0762-MRE-S4
9.53	76.20	9.27	11.17	17-4 PH Stainless Stainless: T-Handle - Industrial - Stainless Steel Part Number: BLP-095-0762-TI-S17
9.53	76.20	9.27	11.17	Carbon Steel: Button Handle - Steel Part Number: * BLP-095-0762-BT-C
9.53	76.20	9.27	11.17	Carbon steel with aluminium handle, stainless ball and ring.: L-Handle - Industrial - Steel Part Number: * BLP-095-0762-LI-C
9.53	76.20	9.27	11.17	17-4 PH Stainless Stainless: Ring Handle - Industrial - Stainless Steel Part Number: BLP-095-0762-RHI-S17
9.53	76.20	9.27	11.17	Carbon Steel: Ring Handle - Industrial - Steel Part Number: * BLP-095-0762-RHI-C
9.53	76.20	9.27	11.17	17-4 PH Stainless Stainless: Button Handle - Stainless Steel Part Number: BLP-095-0762-BT-S17
9.53	76.20	9.27	11.17	Aluminium and Carbon Steel: T-Handle - Industrial - Steel and Aluminium Part Number: * BLP-095-0762-TI-AC



Stocked or Short Delivery (up to 4 weeks)



Usually 4-6 week delivery



Long delivery or not in current production

* Large Minimum Quantities

** Available only while stock lasts

Ball Lock Pins

Nominal Pin Dia. A (mm)	Grip Length (mm)	End Distance C (mm)	Open Ball Distance B (mm)	
9.53 x 76.20 mm		<i>(0.38 x 3.00 in.)</i>		
9.53	76.20	9.27	11.18	17-4 PH Stainless Stainless: L-Handle - Industrial - Stainless Steel Part Number: BLP-095-0762-LI-S17
9.53	76.20	9.27	11.18	17-4 PH or PH15-7MO shank with CRES440C spindle: High Tension - Industrial Part Number: BLP-095-0762-HTI-S17
9.53	76.20	9.27	11.18	17-4 PH Stainless Stainless: Double Acting - T-Handle - Stainless Steel Part Number: BLP-095-0762-DT-S17
9.53	76.20	9.27	11.18	Carbon Steel: T-Handle - Commercial Part Number: BLP-095-0762-TC-C
9.53	76.20	9.27	11.18	Carbon Steel: Button Handle - Commercial Part Number: BLP-095-0762-BTC-C
9.53	76.20	12.45	11.13	17-4 PH Stainless Stainless: T-Handle - Stainless Steel - Heavy Duty Part Number: BLP-095-0762-THD-S17
9.53	76.20	10.82	12.70	Carbon Steel: Shoulder Type - Ring Handle Part Number: BLP-095-0762-RSH-C
9.53	76.20	10.82	12.70	Carbon Steel: Shoulder Type - T Handle Part Number: BLP-095-0762-TSH-C
9.53	76.20	12.70	10.82	Carbon Steel: Ball Handle - Plastic Handle Part Number: BLP-095-0762-BL-C
9.53	76.20	12.70	10.82	Carbon Steel: Keyring Style - Steel Part Number: BLP-095-0762-K1-C
9.53	76.20	12.70	10.82	303 Stainless Steel: Keyring Style - 303/304 Stainless Steel Part Number: BLP-095-0762-K1-S3
9.53	76.20	12.70	10.82	316 Stainless Steel: Keyring Style - 316 Stainless Steel Part Number: BLP-095-0762-K1-S6
9.53	76.20	12.70	10.82	304 Stainless Steel: Keyring Style - 303/304 Stainless Steel Part Number: BLP-095-0762-K2-S4
9.53 x 82.55 mm		<i>(0.38 x 3.25 in.)</i>		
9.53	82.55	12.45	11.13	304 Stainless Steel: Marine Style - Half Ring Part Number: * BLP-095-0826-MHR-S4
9.53	82.55	12.45	11.13	304 Stainless Steel: Marine Style - Recessed Head Part Number: * BLP-095-0826-MRE-S4
9.53	82.55	12.70	10.82	316 Stainless Steel: Keyring Style - 316 Stainless Steel Part Number: * BLP-095-0826-K1-S6
9.53	82.55	12.70	10.82	304 Stainless Steel: Keyring Style - 303/304 Stainless Steel Part Number: * BLP-095-0826-K2-S4
9.53 x 88.90 mm		<i>(0.38 x 3.50 in.)</i>		
9.53	88.90	12.45	11.13	304 Stainless Steel: Marine Style - Half Ring Part Number: BLP-095-0889-MHR-S4
9.53	88.90	12.45	11.13	304 Stainless Steel: Marine Style - Recessed Head Part Number: * BLP-095-0889-MRE-S4
9.53	88.90	9.27	11.17	17-4 PH Stainless Stainless: T-Handle - Industrial - Stainless Steel Part Number: BLP-095-0889-TI-S17
9.53	88.90	9.27	11.17	Carbon steel with aluminium handle, stainless ball and ring.: L-Handle - Industrial - Steel Part Number: * BLP-095-0889-LI-C
9.53	88.90	9.27	11.17	Carbon Steel: Button Handle - Steel Part Number: * BLP-095-0889-BT-C
9.53	88.90	9.27	11.17	Carbon Steel: Ring Handle - Industrial - Steel Part Number: * BLP-095-0889-RHI-C
9.53	88.90	9.27	11.17	17-4 PH Stainless Stainless: Button Handle - Stainless Steel Part Number: BLP-095-0889-BT-S17
9.53	88.90	9.27	11.17	Aluminium and Carbon Steel: T-Handle - Industrial - Steel and Aluminium Part Number: * BLP-095-0889-TI-AC
9.53	88.90	9.27	11.18	17-4 PH Stainless Stainless: L-Handle - Industrial - Stainless Steel Part Number: * BLP-095-0889-LI-S17
9.53	88.90	9.27	11.18	Carbon Steel: T-Handle - Commercial Part Number: BLP-095-0889-TC-C
9.53	88.90	9.27	11.18	Carbon Steel: Button Handle - Commercial Part Number: BLP-095-0889-BTC-C
9.53	88.90	12.45	11.13	17-4 PH Stainless Stainless: T-Handle - Stainless Steel - Heavy Duty Part Number: BLP-095-0889-THD-S17

Stocked or Short Delivery (up to 4 weeks)
 Usually 4-6 week delivery
 Long delivery or not in current production

* Large Minimum Quantities

** Available only while stock lasts

Ball Lock Pins

Nominal Pin Dia. A (mm)	Grip Length (mm)	End Distance C (mm)	Open Ball Distance B (mm)	
9.53 x 88.90 mm		<i>(0.38 x 3.50 in.)</i>		
9.53	88.90	12.70	10.82	Carbon Steel: T-Handle - Plastic Handle Part Number: BLP-095-0889-T-PC
9.53	88.90	12.70	10.82	Carbon Steel: Keyring Style - Steel Part Number: BLP-095-0889-K1-C
9.53	88.90	12.70	10.82	303 Stainless Steel: Keyring Style - 303/304 Stainless Steel Part Number: BLP-095-0889-K1-S3
9.53	88.90	12.70	10.82	316 Stainless Steel: Keyring Style - 316 Stainless Steel Part Number: * BLP-095-0889-K1-S6
9.53	88.90	12.70	10.82	304 Stainless Steel: Keyring Style - 303/304 Stainless Steel Part Number: * BLP-095-0889-K2-S4
9.53 x 95.25 mm		<i>(0.38 x 3.75 in.)</i>		
9.53	95.25	12.45	11.13	304 Stainless Steel: Marine Style - Recessed Head Part Number: BLP-095-0953-MRE-S4
9.53	95.25	12.45	11.13	304 Stainless Steel: Marine Style - Half Ring Part Number: * BLP-095-0953-MHR-S4
9.53	95.25	12.70	10.82	316 Stainless Steel: Keyring Style - 316 Stainless Steel Part Number: * BLP-095-0953-K1-S6
9.53	95.25	12.70	10.82	304 Stainless Steel: Keyring Style - 303/304 Stainless Steel Part Number: * BLP-095-0953-K2-S4
9.53 x 101.60 mm		<i>(0.38 x 4.00 in.)</i>		
9.53	101.60	12.45	11.13	304 Stainless Steel: Marine Style - Half Ring Part Number: * BLP-095-1016-MHR-S4
9.53	101.60	9.27	11.17	Carbon Steel: Button Handle - Steel Part Number: * BLP-095-1016-BT-C
9.53	101.60	9.27	11.17	Carbon steel with aluminium handle, stainless ball and ring.: L-Handle - Industrial - Steel Part Number: * BLP-095-1016-LI-C
9.53	101.60	9.27	11.17	17-4 PH Stainless Steel: T-Handle - Industrial - Stainless Steel Part Number: BLP-095-1016-TI-S17
9.53	101.60	9.27	11.17	Carbon Steel: Ring Handle - Industrial - Steel Part Number: * BLP-095-1016-RHI-C
9.53	101.60	9.27	11.17	17-4 PH Stainless Steel: Button Handle - Stainless Steel Part Number: BLP-095-1016-BT-S17
9.53	101.60	9.27	11.17	Aluminium and Carbon Steel: T-Handle - Industrial - Steel and Aluminium Part Number: * BLP-095-1016-TI-AC
9.53	101.60	9.27	11.18	17-4 PH Stainless Steel: L-Handle - Industrial - Stainless Steel Part Number: BLP-095-1016-LI-S17
9.53	101.60	9.27	11.18	17-4 PH or PH15-7MO shank with CRES440C spindle: High Tension - Industrial Part Number: BLP-095-1016-HTI-S17
9.53	101.60	9.27	11.18	Carbon Steel: T-Handle - Commercial Part Number: BLP-095-1016-TC-C
9.53	101.60	9.27	11.18	Carbon Steel: Button Handle - Commercial Part Number: BLP-095-1016-BTC-C
9.53	101.60	12.45	11.13	17-4 PH Stainless Steel: T-Handle - Stainless Steel - Heavy Duty Part Number: BLP-095-1016-THD-S17
9.53	101.60	12.70	10.82	Carbon Steel: Ball Handle - Plastic Handle Part Number: BLP-095-1016-BL-C
9.53	101.60	12.70	10.82	Carbon Steel: T-Handle - Plastic Handle Part Number: BLP-095-1016-T-PC
9.53	101.60	12.70	10.82	Carbon Steel: Keyring Style - Steel Part Number: BLP-095-1016-K1-C
9.53	101.60	10.82	12.70	Carbon Steel: Shoulder Type - Ring Handle Part Number: BLP-095-1016-RSH-C
9.53	101.60	10.82	12.70	Carbon Steel: Shoulder Type - T Handle Part Number: BLP-095-1016-TSH-C
9.53	101.60	12.70	10.82	303 Stainless Steel: Keyring Style - 303/304 Stainless Steel Part Number: BLP-095-1016-K1-S3
9.53	101.60	12.70	10.82	316 Stainless Steel: Keyring Style - 316 Stainless Steel Part Number: * BLP-095-1016-K1-S6
9.53	101.60	12.70	10.82	304 Stainless Steel: Keyring Style - 303/304 Stainless Steel Part Number: BLP-095-1016-K2-S4

Ball Lock Pins

Nominal Pin Dia. A (mm)	Grip Length (mm)	End Distance C (mm)	Open Ball Distance B (mm)	
9.53 x 107.95 mm (0.38 x 4.25 in.)				
9.53	107.95	12.45	11.13	304 Stainless Steel: Marine Style - Recessed Head Part Number: BLP-095-1080-MRE-S4
9.53	107.95	12.45	11.13	304 Stainless Steel: Marine Style - Half Ring Part Number: BLP-095-1080-MHR-S4
9.53	107.95	12.70	10.82	316 Stainless Steel: Keyring Style - 316 Stainless Steel Part Number: * BLP-095-1080-K1-S6
9.53	107.95	12.70	10.82	304 Stainless Steel: Keyring Style - 303/304 Stainless Steel Part Number: * BLP-095-1080-K2-S4
9.53 x 114.30 mm (0.38 x 4.50 in.)				
9.53	114.30	12.45	11.13	304 Stainless Steel: Marine Style - Recessed Head Part Number: BLP-095-1143-MRE-S4
9.53	114.30	12.45	11.13	304 Stainless Steel: Marine Style - Half Ring Part Number: * BLP-095-1143-MHR-S4
9.53	114.30	9.27	11.17	17-4 PH Stainless Steel: T-Handle - Industrial - Stainless Steel Part Number: * BLP-095-1143-TI-S17
9.53	114.30	9.27	11.17	Carbon steel with aluminium handle, stainless ball and ring.: L-Handle - Industrial - Steel Part Number: * BLP-095-1143-LI-C
9.53	114.30	9.27	11.17	Carbon Steel: Button Handle - Steel Part Number: * BLP-095-1143-BT-C
9.53	114.30	9.27	11.17	Carbon Steel: Ring Handle - Industrial - Steel Part Number: * BLP-095-1143-RHI-C
9.53	114.30	9.27	11.17	17-4 PH Stainless Steel: Button Handle - Stainless Steel Part Number: BLP-095-1143-BT-S17
9.53	114.30	9.27	11.17	Aluminium and Carbon Steel: T-Handle - Industrial - Steel and Aluminium Part Number: * BLP-095-1143-TI-AC
9.53	114.30	9.27	11.18	17-4 PH Stainless Steel: L-Handle - Industrial - Stainless Steel Part Number: * BLP-095-1143-LI-S17
9.53	114.30	12.45	11.13	17-4 PH Stainless Steel: T-Handle - Stainless Steel - Heavy Duty Part Number: * BLP-095-1143-THD-S17
9.53	114.30	12.70	10.82	Carbon Steel: Keyring Style - Steel Part Number: BLP-095-1143-K1-C
9.53	114.30	12.70	10.82	303 Stainless Steel: Keyring Style - 303/304 Stainless Steel Part Number: BLP-095-1143-K1-S3
9.53	114.30	12.70	10.82	316 Stainless Steel: Keyring Style - 316 Stainless Steel Part Number: * BLP-095-1143-K1-S6
9.53	114.30	12.70	10.82	304 Stainless Steel: Keyring Style - 303/304 Stainless Steel Part Number: * BLP-095-1143-K2-S4
9.53 x 120.65 mm (0.38 x 4.75 in.)				
9.53	120.65	12.45	11.13	304 Stainless Steel: Marine Style - Half Ring Part Number: BLP-095-1207-MHR-S4
9.53	120.65	12.45	11.13	304 Stainless Steel: Marine Style - Recessed Head Part Number: * BLP-095-1207-MRE-S4
9.53	120.65	12.70	10.82	316 Stainless Steel: Keyring Style - 316 Stainless Steel Part Number: * BLP-095-1207-K1-S6
9.53	120.65	12.70	10.82	304 Stainless Steel: Keyring Style - 303/304 Stainless Steel Part Number: * BLP-095-1207-K2-S4
9.53 x 127.00 mm (0.38 x 5.00 in.)				
9.53	127.00	12.45	11.13	304 Stainless Steel: Marine Style - Half Ring Part Number: BLP-095-1270-MHR-S4
9.53	127.00	12.45	11.13	304 Stainless Steel: Marine Style - Recessed Head Part Number: * BLP-095-1270-MRE-S4
9.53	127.00	9.27	11.17	17-4 PH Stainless Steel: T-Handle - Industrial - Stainless Steel Part Number: BLP-095-1270-TI-S17
9.53	127.00	9.27	11.17	Carbon Steel: Button Handle - Steel Part Number: * BLP-095-1270-BT-C
9.53	127.00	9.27	11.17	Carbon steel with aluminium handle, stainless ball and ring.: L-Handle - Industrial - Steel Part Number: * BLP-095-1270-LI-C
9.53	127.00	9.27	11.17	Carbon Steel: Ring Handle - Industrial - Steel Part Number: * BLP-095-1270-RHI-C
9.53	127.00	9.27	11.17	17-4 PH Stainless Steel: Button Handle - Stainless Steel Part Number: BLP-095-1270-BT-S17

Stocked or Short Delivery (up to 4 weeks)
 Usually 4-6 week delivery
 Long delivery or not in current production

* Large Minimum Quantities

** Available only while stock lasts

Ball Lock Pins

Nominal Pin Dia. A (mm)	Grip Length (mm)	End Distance C (mm)	Open Ball Distance B (mm)	
9.53 x 127.00 mm (0.38 x 5.00 in.)				
9.53	127.00	9.27	11.17	Aluminium and Carbon Steel: T-Handle - Industrial - Steel and Aluminium Part Number: * BLP-095-1270-TI-AC
9.53	127.00	9.27	11.18	17-4 PH Stainless Stainless: Double Acting - Ring Handle - Stainless Steel Part Number: BLP-095-1270-DR-S17
9.53	127.00	12.70	10.82	Carbon Steel: Keyring Style - Steel Part Number: BLP-095-1270-K1-C
9.53	127.00	12.70	10.82	303 Stainless Steel: Keyring Style - 303/304 Stainless Steel Part Number: BLP-095-1270-K1-S3
9.53	127.00	12.70	10.82	316 Stainless Steel: Keyring Style - 316 Stainless Steel Part Number: * BLP-095-1270-K1-S6
9.53	127.00	12.70	10.82	304 Stainless Steel: Keyring Style - 303/304 Stainless Steel Part Number: * BLP-095-1270-K2-S4
9.53 x 139.70 mm (0.38 x 5.50 in.)				
9.53	139.70	9.27	11.17	Carbon Steel: Ring Handle - Industrial - Steel Part Number: * BLP-095-1397-RHI-C
9.53	139.70	9.27	11.17	17-4 PH Stainless Stainless: Button Handle - Stainless Steel Part Number: BLP-095-1397-BT-S17
9.53	139.70	9.27	11.17	Aluminium and Carbon Steel: T-Handle - Industrial - Steel and Aluminium Part Number: * BLP-095-1397-TI-AC
9.53 x 152.40 mm (0.38 x 6.00 in.)				
9.53	152.40	12.45	11.13	304 Stainless Steel: Marine Style - Recessed Head Part Number: * BLP-095-1524-MRE-S4
9.53	152.40	9.27	11.17	17-4 PH Stainless Stainless: T-Handle - Industrial - Stainless Steel Part Number: BLP-095-1524-TI-S17
9.53	152.40	9.27	11.17	Carbon Steel: Ring Handle - Industrial - Steel Part Number: * BLP-095-1524-RHI-C
9.53	152.40	9.27	11.17	Aluminium and Carbon Steel: T-Handle - Industrial - Steel and Aluminium Part Number: * BLP-095-1524-TI-AC
10.00 x 15.00 mm (0.39 x 0.59 in.)				
10.00	15.00	9.00	11.86	Aluminium and 400 Grade Stainless: T-Handle - Industrial - Stainless Steel and Aluminium Part Number: BLP-100-0150-TI-S17
10.00 x 20.00 mm (0.39 x 0.79 in.)				
10.00	20.00	9.00	11.86	Aluminium and 400 Grade Stainless: T-Handle - Industrial - Stainless Steel and Aluminium Part Number: BLP-100-0200-TI-S17
10.00 x 25.00 mm (0.39 x 0.98 in.)				
10.00	25.00	9.00	11.86	Aluminium and Carbon Steel: T-Handle - Industrial - Steel and Aluminium Part Number: BLP-100-0250-TI-AC
10.00	25.00	9.00	11.86	Aluminium and 400 Grade Stainless: T-Handle - Industrial - Stainless Steel and Aluminium Part Number: BLP-100-0250-TI-S17
10.00 x 30.00 mm (0.39 x 1.18 in.)				
10.00	30.00	9.00	11.86	Aluminium and Carbon Steel: T-Handle - Industrial - Steel and Aluminium Part Number: * BLP-100-0300-TI-AC
10.00 x 40.00 mm (0.39 x 1.57 in.)				
10.00	40.00	9.00	11.86	Aluminium and 400 Grade Stainless: T-Handle - Industrial - Stainless Steel and Aluminium Part Number: * BLP-100-0400-TI-S17
10.00	40.00	9.00	11.86	Aluminium and Carbon Steel: T-Handle - Industrial - Steel and Aluminium Part Number: * BLP-100-0400-TI-AC
10.00 x 50.00 mm (0.39 x 1.97 in.)				
10.00	50.00	9.00	11.86	Aluminium and 400 Grade Stainless: T-Handle - Industrial - Stainless Steel and Aluminium Part Number: BLP-100-0500-TI-S17
10.00	50.00	9.00	11.86	Aluminium and Carbon Steel: T-Handle - Industrial - Steel and Aluminium Part Number: BLP-100-0500-TI-AC
10.00 x 65.00 mm (0.39 x 2.56 in.)				
10.00	65.00	9.00	11.86	Aluminium and 400 Grade Stainless: T-Handle - Industrial - Stainless Steel and Aluminium Part Number: * BLP-100-0650-TI-S17

Stocked or Short Delivery (up to 4 weeks)
 Usually 4-6 week delivery
 Long delivery or not in current production

* Large Minimum Quantities

** Available only while stock lasts

Ball Lock Pins

Nominal Pin Dia. A (mm)	Grip Length (mm)	End Distance C (mm)	Open Ball Distance B (mm)	
10.00 x 75.00 mm (0.39 x 2.95 in.)				
10.00	75.00	9.00	11.86	Aluminium and 400 Grade Stainless: T-Handle - Industrial - Stainless Steel and Aluminium Part Number: * BLP-100-0750-TI-S17
10.00 x 100.00 mm (0.39 x 3.94 in.)				
10.00	100.00	9.00	11.86	Aluminium and Carbon Steel: T-Handle - Industrial - Steel and Aluminium Part Number: BLP-100-1000-TI-AC
10.00	100.00	9.00	11.86	Aluminium and 400 Grade Stainless: T-Handle - Industrial - Stainless Steel and Aluminium Part Number: BLP-100-1000-TI-S17
11.11 x 25.40 mm (0.44 x 1.00 in.)				
11.11	25.40	9.65	12.92	17-4 PH Stainless: T-Handle - Industrial - Stainless Steel Part Number: BLP-111-0254-TI-S17
11.11	25.40	9.65	12.92	Aluminium and Carbon Steel: T-Handle - Industrial - Steel and Aluminium Part Number: * BLP-111-0254-TI-AC
11.11 x 38.10 mm (0.44 x 1.50 in.)				
11.11	38.10	9.65	12.92	Carbon Steel: Button Handle - Steel Part Number: * BLP-111-0381-BT-C
11.11	38.10	9.65	12.92	17-4 PH Stainless: T-Handle - Industrial - Stainless Steel Part Number: BLP-111-0381-TI-S17
11.11	38.10	9.65	12.92	Carbon steel with aluminium handle, stainless ball and ring.: L-Handle - Industrial - Steel Part Number: * BLP-111-0381-LI-C
11.11	38.10	9.65	12.92	Aluminium and Carbon Steel: T-Handle - Industrial - Steel and Aluminium Part Number: * BLP-111-0381-TI-AC
11.11 x 50.80 mm (0.44 x 2.00 in.)				
11.11	50.80	9.65	12.92	17-4 PH Stainless: T-Handle - Industrial - Stainless Steel Part Number: BLP-111-0508-TI-S17
11.11	50.80	9.65	12.92	Carbon Steel: Button Handle - Steel Part Number: * BLP-111-0508-BT-C
11.11	50.80	9.65	12.92	Carbon steel with aluminium handle, stainless ball and ring.: L-Handle - Industrial - Steel Part Number: * BLP-111-0508-LI-C
11.11	50.80	9.65	12.92	Carbon Steel: Ring Handle - Industrial - Steel Part Number: * BLP-111-0508-RHI-C
11.11	50.80	9.65	12.92	17-4 PH Stainless: Button Handle - Stainless Steel Part Number: BLP-111-0508-BT-S17
11.11	50.80	9.65	12.92	Aluminium and Carbon Steel: T-Handle - Industrial - Steel and Aluminium Part Number: * BLP-111-0508-TI-AC
11.11 x 63.50 mm (0.44 x 2.50 in.)				
11.11	63.50	9.65	12.92	Carbon steel with aluminium handle, stainless ball and ring.: L-Handle - Industrial - Steel Part Number: BLP-111-0635-LI-C
11.11	63.50	9.65	12.92	17-4 PH Stainless: T-Handle - Industrial - Stainless Steel Part Number: BLP-111-0635-TI-S17
11.11	63.50	9.65	12.92	Carbon Steel: Ring Handle - Industrial - Steel Part Number: * BLP-111-0635-RHI-C
11.11	63.50	9.65	12.92	17-4 PH Stainless: Button Handle - Stainless Steel Part Number: BLP-111-0635-BT-S17
11.11	63.50	9.65	12.92	Aluminium and Carbon Steel: T-Handle - Industrial - Steel and Aluminium Part Number: * BLP-111-0635-TI-AC
11.11 x 76.20 mm (0.44 x 3.00 in.)				
11.11	76.20	9.65	12.92	17-4 PH Stainless: T-Handle - Industrial - Stainless Steel Part Number: BLP-111-0762-TI-S17
11.11	76.20	9.65	12.92	Carbon steel with aluminium handle, stainless ball and ring.: L-Handle - Industrial - Steel Part Number: * BLP-111-0762-LI-C
11.11	76.20	9.65	12.92	Carbon Steel: Ring Handle - Industrial - Steel Part Number: * BLP-111-0762-RHI-C
11.11	76.20	9.65	12.92	Aluminium and Carbon Steel: T-Handle - Industrial - Steel and Aluminium Part Number: * BLP-111-0762-TI-AC
11.11 x 88.90 mm (0.44 x 3.50 in.)				
11.11	88.90	9.65	12.93	17-4 PH Stainless: L-Handle - Industrial - Stainless Steel Part Number: BLP-111-0889-LI-S17

Stocked or Short Delivery (up to 4 weeks)
 Usually 4-6 week delivery
 Long delivery or not in current production

* Large Minimum Quantities

** Available only while stock lasts

Ball Lock Pins

Nominal Pin Dia. A (mm)	Grip Length (mm)	End Distance C (mm)	Open Ball Distance B (mm)	
11.11 x 101.60 mm (0.44 x 4.00 in.)				
11.11	101.60	9.65	12.92	Carbon steel with aluminium handle, stainless ball and ring.: L-Handle - Industrial - Steel Part Number: * BLP-111-1016-LI-C
11.11	101.60	9.65	12.92	Carbon Steel: Ring Handle - Industrial - Steel Part Number: * BLP-111-1016-RHI-C
11.11	101.60	9.65	12.92	Aluminium and Carbon Steel: T-Handle - Industrial - Steel and Aluminium Part Number: * BLP-111-1016-TI-AC
11.11 x 114.30 mm (0.44 x 4.50 in.)				
11.11	114.30	9.65	12.92	17-4 PH Stainless Stainless: Ring Handle - Industrial - Stainless Steel Part Number: * BLP-111-1143-RHI-S17
12.00 x 30.00 mm (0.47 x 1.18 in.)				
12.00	30.00	10.00	14.45	Aluminium and Carbon Steel: T-Handle - Industrial - Steel and Aluminium Part Number: * BLP-120-0300-TI-AC
12.00 x 40.00 mm (0.47 x 1.57 in.)				
12.00	40.00	10.00	14.45	Aluminium and Carbon Steel: T-Handle - Industrial - Steel and Aluminium Part Number: * BLP-120-0400-TI-AC
12.00 x 50.00 mm (0.47 x 1.97 in.)				
12.00	50.00	10.00	14.45	Aluminium and 400 Grade Stainless: T-Handle - Industrial - Stainless Steel and Aluminium Part Number: BLP-120-0500-TI-S17
12.00	50.00	10.00	14.45	Aluminium and Carbon Steel: T-Handle - Industrial - Steel and Aluminium Part Number: BLP-120-0500-TI-AC
12.00 x 75.00 mm (0.47 x 2.95 in.)				
12.00	75.00	10.00	14.45	Aluminium and 400 Grade Stainless: T-Handle - Industrial - Stainless Steel and Aluminium Part Number: * BLP-120-0750-TI-S17
12.00 x 80.00 mm (0.47 x 3.15 in.)				
12.00	80.00	10.00	14.45	Aluminium and Carbon Steel: T-Handle - Industrial - Steel and Aluminium Part Number: * BLP-120-0800-TI-AC
12.00 x 100.00 mm (0.47 x 3.94 in.)				
12.00	100.00	10.00	14.45	Aluminium and Carbon Steel: T-Handle - Industrial - Steel and Aluminium Part Number: BLP-120-1000-TI-AC
12.00	100.00	10.00	14.45	Aluminium and 400 Grade Stainless: T-Handle - Industrial - Stainless Steel and Aluminium Part Number: BLP-120-1000-TI-S17
12.70 x 12.70 mm (0.50 x 0.50 in.)				
12.70	12.70	13.46	15.06	304 Stainless Steel: Marine Style - Recessed Head Part Number: * BLP-127-0127-MRE-S4
12.70	12.70	13.46	15.06	304 Stainless Steel: Marine Style - Half Ring Part Number: * BLP-127-0127-MHR-S4
12.70	12.70	11.68	15.09	Carbon Steel: T-Handle - Commercial Part Number: BLP-127-0127-TC-C
12.70	12.70	11.68	15.09	Carbon Steel: Button Handle - Commercial Part Number: BLP-127-0127-BTC-C
12.70	12.70	13.18	15.06	Carbon Steel: Shackle Part Number: * BLP-127-0127-SHK-C
12.70	12.70	13.46	15.06	17-4 PH Stainless Stainless: T-Handle - Stainless Steel - Heavy Duty Part Number: BLP-127-0127-THD-S17
12.70	12.70	15.88	14.48	316 Stainless Steel: Keyring Style - 316 Stainless Steel Part Number: BLP-127-0127-K1-S6
12.70	12.70	15.88	14.48	304 Stainless Steel: Keyring Style - 303/304 Stainless Steel Part Number: * BLP-127-0127-K2-S4
12.70 x 19.05 mm (0.50 x 0.75 in.)				
12.70	19.05	13.46	15.06	304 Stainless Steel: Marine Style - Recessed Head Part Number: * BLP-127-0191-MRE-S4
12.70	19.05	13.46	15.06	304 Stainless Steel: Marine Style - Half Ring Part Number: * BLP-127-0191-MHR-S4
12.70	19.05	15.88	14.48	316 Stainless Steel: Keyring Style - 316 Stainless Steel Part Number: * BLP-127-0191-K1-S6
12.70	19.05	15.88	14.48	304 Stainless Steel: Keyring Style - 303/304 Stainless Steel Part Number: * BLP-127-0191-K2-S4



Stocked or Short Delivery (up to 4 weeks)



Usually 4-6 week delivery



Long delivery or not in current production

* Large Minimum Quantities

** Available only while stock lasts

Ball Lock Pins

Nominal Pin Dia. A (mm)	Grip Length (mm)	End Distance C (mm)	Open Ball Distance B (mm)	
12.70 x 25.40 mm		<i>(0.50 x 1.00 in.)</i>		
12.70	25.40	13.46	15.06	304 Stainless Steel: Marine Style - Recessed Head Part Number: BLP-127-0254-MRE-S4
12.70	25.40	13.46	15.06	304 Stainless Steel: Marine Style - Half Ring Part Number: * BLP-127-0254-MHR-S4
12.70	25.40	11.68	15.08	Aluminium and Carbon Steel: T-Handle - Industrial - Steel and Aluminium Part Number: * BLP-127-0254-TI-AC
12.70	25.40	11.68	15.08	17-4 PH Stainless Steel: T-Handle - Industrial - Stainless Steel Part Number: BLP-127-0254-TI-S17
12.70	25.40	11.68	15.08	Carbon Steel: Button Handle - Steel Part Number: * BLP-127-0254-BT-C
12.70	25.40	11.68	15.08	17-4 PH Stainless Steel: Ring Handle - Industrial - Stainless Steel Part Number: BLP-127-0254-RHI-S17
12.70	25.40	11.68	15.08	Carbon Steel: Ring Handle - Industrial - Steel Part Number: * BLP-127-0254-RHI-C
12.70	25.40	11.68	15.08	17-4 PH Stainless Steel: Button Handle - Stainless Steel Part Number: BLP-127-0254-BT-S17
12.70	25.40	11.68	15.09	17-4 PH Stainless Steel: L-Handle - Industrial - Stainless Steel Part Number: BLP-127-0254-LI-S17
12.70	25.40	11.68	15.09	17-4 PH or PH15-7MO shank with CRES440C spindle: High Tension - Industrial Part Number: BLP-127-0254-HTI-S17
12.70	25.40	11.68	15.09	Carbon Steel: T-Handle - Commercial Part Number: BLP-127-0254-TC-C
12.70	25.40	11.68	15.09	Carbon Steel: Button Handle - Commercial Part Number: BLP-127-0254-BTC-C
12.70	25.40	13.46	15.06	17-4 PH Stainless Steel: T-Handle - Stainless Steel - Heavy Duty Part Number: * BLP-127-0254-THD-S17
12.70	25.40	14.48	15.88	Carbon Steel: Shoulder Type - Ring Handle Part Number: BLP-127-0254-RSH-C
12.70	25.40	14.48	15.88	Carbon Steel: Shoulder Type - T Handle Part Number: BLP-127-0254-TSH-C
12.70	25.40	15.88	14.48	Carbon Steel: Keyring Style - Steel Part Number: BLP-127-0254-K1-C
12.70	25.40	15.88	14.48	303 Stainless Steel: Keyring Style - 303/304 Stainless Steel Part Number: BLP-127-0254-K1-S3
12.70	25.40	15.88	14.48	316 Stainless Steel: Keyring Style - 316 Stainless Steel Part Number: BLP-127-0254-K1-S6
12.70	25.40	15.88	14.48	304 Stainless Steel: Keyring Style - 303/304 Stainless Steel Part Number: * BLP-127-0254-K2-S4
12.70 x 31.75 mm		<i>(0.50 x 1.25 in.)</i>		
12.70	31.75	13.46	15.06	304 Stainless Steel: Marine Style - Recessed Head Part Number: * BLP-127-0318-MRE-S4
12.70	31.75	13.46	15.06	304 Stainless Steel: Marine Style - Half Ring Part Number: * BLP-127-0318-MHR-S4
12.70	31.75	11.68	15.08	Aluminium and Carbon Steel: T-Handle - Industrial - Steel and Aluminium Part Number: * BLP-127-0318-TI-AC
12.70	31.75	11.68	15.08	Carbon steel with aluminium handle, stainless ball and ring.: L-Handle - Industrial - Steel Part Number: * BLP-127-0318-LI-C
12.70	31.75	15.88	14.48	316 Stainless Steel: Keyring Style - 316 Stainless Steel Part Number: * BLP-127-0318-K1-S6
12.70	31.75	15.88	14.48	304 Stainless Steel: Keyring Style - 303/304 Stainless Steel Part Number: * BLP-127-0318-K2-S4
12.70 x 33.02 mm		<i>(0.50 x 1.30 in.)</i>		
12.70	33.02	14.48	15.88	Carbon Steel: Shoulder Type - T Handle Part Number: BLP-127-0330-TSH-C
12.70	33.02	14.48	15.88	Carbon Steel: Shoulder Type - Ring Handle Part Number: BLP-127-0330-RSH-C
12.70	33.02	15.88	14.48	Carbon Steel: Keyring Style - Steel Part Number: * BLP-127-0330-K1-C
12.70	33.02	15.88	14.48	303 Stainless Steel: Keyring Style - 303/304 Stainless Steel Part Number: BLP-127-0330-K1-S3



Stocked or Short Delivery (up to 4 weeks)



Usually 4-6 week delivery



Long delivery or not in current production

* Large Minimum Quantities

** Available only while stock lasts

Ball Lock Pins

Nominal Pin Dia. A (mm)	Grip Length (mm)	End Distance C (mm)	Open Ball Distance B (mm)	
12.70 x 38.10 mm		<i>(0.50 x 1.50 in.)</i>		
12.70	38.10	13.46	15.06	304 Stainless Steel: Marine Style - Recessed Head Part Number: * BLP-127-0381-MRE-S4
12.70	38.10	13.46	15.06	304 Stainless Steel: Marine Style - Half Ring Part Number: * BLP-127-0381-MHR-S4
12.70	38.10	11.68	15.08	Aluminium and Carbon Steel: T-Handle - Industrial - Steel and Aluminium Part Number: * BLP-127-0381-TI-AC
12.70	38.10	11.68	15.08	Carbon Steel: Button Handle - Steel Part Number: * BLP-127-0381-BT-C
12.70	38.10	11.68	15.08	17-4 PH Stainless Steel: T-Handle - Industrial - Stainless Steel Part Number: * BLP-127-0381-TI-S17
12.70	38.10	11.68	15.08	17-4 PH Stainless Steel: Ring Handle - Industrial - Stainless Steel Part Number: BLP-127-0381-RHI-S17
12.70	38.10	11.68	15.08	Carbon Steel: Ring Handle - Industrial - Steel Part Number: * BLP-127-0381-RHI-C
12.70	38.10	11.68	15.08	17-4 PH Stainless Steel: Button Handle - Stainless Steel Part Number: * BLP-127-0381-BT-S17
12.70	38.10	11.68	15.09	17-4 PH Stainless Steel: L-Handle - Industrial - Stainless Steel Part Number: BLP-127-0381-LI-S17
12.70	38.10	11.68	15.09	17-4 PH or PH15-7MO shank with CRES440C spindle: High Tension - Industrial Part Number: BLP-127-0381-HTI-S17
12.70	38.10	11.68	15.09	17-4 PH Stainless Steel: Double Acting - T-Handle - Stainless Steel Part Number: BLP-127-0381-DT-S17
12.70	38.10	11.68	15.09	Carbon Steel: T-Handle - Commercial Part Number: BLP-127-0381-TC-C
12.70	38.10	11.68	15.09	Carbon Steel: Button Handle - Commercial Part Number: BLP-127-0381-BTC-C
12.70	38.10	13.18	15.06	Carbon Steel: Shackle Part Number: * BLP-127-0381-SHK-C
12.70	38.10	13.46	15.06	17-4 PH Stainless Steel: T-Handle - Stainless Steel - Heavy Duty Part Number: BLP-127-0381-THD-S17
12.70	38.10	14.48	15.88	Carbon Steel: Shoulder Type - Ring Handle Part Number: BLP-127-0381-RSH-C
12.70	38.10	14.48	15.88	Carbon Steel: Shoulder Type - T Handle Part Number: BLP-127-0381-TSH-C
12.70	38.10	15.88	14.48	Carbon Steel: Keyring Style - Steel Part Number: BLP-127-0381-K1-C
12.70	38.10	15.88	14.48	303 Stainless Steel: Keyring Style - 303/304 Stainless Steel Part Number: BLP-127-0381-K1-S3
12.70	38.10	15.88	14.48	316 Stainless Steel: Keyring Style - 316 Stainless Steel Part Number: BLP-127-0381-K1-S6
12.70	38.10	15.88	14.48	304 Stainless Steel: Keyring Style - 303/304 Stainless Steel Part Number: * BLP-127-0381-K2-S4
12.70 x 44.40 mm		<i>(0.50 x 1.75 in.)</i>		
12.70	44.40	11.68	15.08	Carbon Steel: Ring Handle - Industrial - Steel Part Number: * BLP-127-0444-RHI-C
12.70 x 44.45 mm		<i>(0.50 x 1.75 in.)</i>		
12.70	44.45	13.46	15.06	304 Stainless Steel: Marine Style - Half Ring Part Number: * BLP-127-0445-MHR-S4
12.70	44.45	13.46	15.06	304 Stainless Steel: Marine Style - Recessed Head Part Number: * BLP-127-0445-MRE-S4
12.70	44.45	11.68	15.08	Aluminium and Carbon Steel: T-Handle - Industrial - Steel and Aluminium Part Number: * BLP-127-0445-TI-AC
12.70	44.45	11.68	15.08	Carbon steel with aluminium handle, stainless ball and ring.: L-Handle - Industrial - Steel Part Number: * BLP-127-0445-LI-C
12.70	44.45	15.88	14.48	316 Stainless Steel: Keyring Style - 316 Stainless Steel Part Number: * BLP-127-0445-K1-S6
12.70	44.45	15.88	14.48	304 Stainless Steel: Keyring Style - 303/304 Stainless Steel Part Number: * BLP-127-0445-K2-S4
12.70 x 50.80 mm		<i>(0.50 x 2.00 in.)</i>		
12.70	50.80	13.46	15.06	304 Stainless Steel: Marine Style - Recessed Head Part Number: * BLP-127-0508-MRE-S4

Stocked or Short Delivery (up to 4 weeks)
 Usually 4-6 week delivery
 Long delivery or not in current production

* Large Minimum Quantities

** Available only while stock lasts

Ball Lock Pins

Nominal Pin Dia. A (mm)	Grip Length (mm)	End Distance C (mm)	Open Ball Distance B (mm)	
12.70 x 50.80 mm		<i>(0.50 x 2.00 in.)</i>		
12.70	50.80	13.46	15.06	304 Stainless Steel: Marine Style - Half Ring Part Number: * BLP-127-0508-MHR-S4
12.70	50.80	11.68	15.08	Aluminium and Carbon Steel: T-Handle - Industrial - Steel and Aluminium Part Number: * BLP-127-0508-TI-AC
12.70	50.80	11.68	15.08	17-4 PH Stainless Steel: T-Handle - Industrial - Stainless Steel Part Number: BLP-127-0508-TI-S17
12.70	50.80	11.68	15.08	Carbon Steel: Button Handle - Steel Part Number: * BLP-127-0508-BT-C
12.70	50.80	11.68	15.08	17-4 PH Stainless Steel: Ring Handle - Industrial - Stainless Steel Part Number: BLP-127-0508-RHI-S17
12.70	50.80	11.68	15.08	Carbon Steel: Ring Handle - Industrial - Steel Part Number: * BLP-127-0508-RHI-C
12.70	50.80	11.68	15.08	17-4 PH Stainless Steel: Button Handle - Stainless Steel Part Number: * BLP-127-0508-BT-S17
12.70	50.80	11.68	15.09	17-4 PH Stainless Steel: L-Handle - Industrial - Stainless Steel Part Number: BLP-127-0508-LI-S17
12.70	50.80	11.68	15.09	17-4 PH Stainless Steel: Double Acting - Ring Handle - Stainless Steel Part Number: BLP-127-0508-DR-S17
12.70	50.80	11.68	15.09	17-4 PH or PH15-7MO shank with CRES440C spindle: High Tension - Industrial Part Number: * BLP-127-0508-HTI-S17
12.70	50.80	11.68	15.09	17-4 PH Stainless Steel: Double Acting - T-Handle - Stainless Steel Part Number: BLP-127-0508-DT-S17
12.70	50.80	11.68	15.09	Carbon Steel: T-Handle - Commercial Part Number: BLP-127-0508-TC-C
12.70	50.80	11.68	15.09	Carbon Steel: Button Handle - Commercial Part Number: BLP-127-0508-BTC-C
12.70	50.80	13.46	15.06	17-4 PH Stainless Steel: T-Handle - Stainless Steel - Heavy Duty Part Number: BLP-127-0508-THD-S17
12.70	50.80	14.48	15.88	Carbon Steel: Shoulder Type - Ring Handle Part Number: BLP-127-0508-RSH-C
12.70	50.80	14.48	15.88	Carbon Steel: Shoulder Type - T Handle Part Number: BLP-127-0508-TSH-C
12.70	50.80	15.88	14.48	Carbon Steel: Keyring Style - Steel Part Number: BLP-127-0508-K1-C
12.70	50.80	15.88	14.48	303 Stainless Steel: Keyring Style - 303/304 Stainless Steel Part Number: BLP-127-0508-K1-S3
12.70	50.80	15.88	14.48	316 Stainless Steel: Keyring Style - 316 Stainless Steel Part Number: * BLP-127-0508-K1-S6
12.70	50.80	15.88	14.48	304 Stainless Steel: Keyring Style - 303/304 Stainless Steel Part Number: * BLP-127-0508-K2-S4
12.70 x 57.15 mm		<i>(0.50 x 2.25 in.)</i>		
12.70	57.15	13.46	15.06	304 Stainless Steel: Marine Style - Recessed Head Part Number: * BLP-127-0572-MRE-S4
12.70	57.15	13.46	15.06	304 Stainless Steel: Marine Style - Half Ring Part Number: * BLP-127-0572-MHR-S4
12.70	57.15	15.88	14.48	316 Stainless Steel: Keyring Style - 316 Stainless Steel Part Number: * BLP-127-0572-K1-S6
12.70	57.15	15.88	14.48	304 Stainless Steel: Keyring Style - 303/304 Stainless Steel Part Number: * BLP-127-0572-K2-S4
12.70 x 58.42 mm		<i>(0.50 x 2.30 in.)</i>		
12.70	58.42	14.48	15.88	Carbon Steel: Shoulder Type - Ring Handle Part Number: BLP-127-0584-RSH-C
12.70	58.42	14.48	15.88	Carbon Steel: Shoulder Type - T Handle Part Number: BLP-127-0584-TSH-C
12.70 x 63.50 mm		<i>(0.50 x 2.50 in.)</i>		
12.70	63.50	13.46	15.06	304 Stainless Steel: Marine Style - Recessed Head Part Number: BLP-127-0635-MRE-S4
12.70	63.50	13.46	15.06	304 Stainless Steel: Marine Style - Half Ring Part Number: * BLP-127-0635-MHR-S4

Stocked or Short Delivery (up to 4 weeks)
 Usually 4-6 week delivery
 Long delivery or not in current production

* Large Minimum Quantities

** Available only while stock lasts

Ball Lock Pins

Nominal Pin Dia. A (mm)	Grip Length (mm)	End Distance C (mm)	Open Ball Distance B (mm)	
12.70 x 63.50 mm (0.50 x 2.50 in.)				
12.70	63.50	11.68	15.08	Aluminium and Carbon Steel: T-Handle - Industrial - Steel and Aluminium Part Number: * BLP-127-0635-TI-AC
12.70	63.50	11.68	15.08	17-4 PH Stainless Stainless: T-Handle - Industrial - Stainless Steel Part Number: BLP-127-0635-TI-S17
12.70	63.50	11.68	15.08	Carbon Steel: Button Handle - Steel Part Number: * BLP-127-0635-BT-C
12.70	63.50	11.68	15.08	Carbon steel with aluminium handle, stainless ball and ring.: L-Handle - Industrial - Steel Part Number: * BLP-127-0635-LI-C
12.70	63.50	11.68	15.08	Carbon Steel: Ring Handle - Industrial - Steel Part Number: * BLP-127-0635-RHI-C
12.70	63.50	11.68	15.08	17-4 PH Stainless Stainless: Button Handle - Stainless Steel Part Number: BLP-127-0635-BT-S17
12.70	63.50	11.68	15.09	17-4 PH Stainless Stainless: L-Handle - Industrial - Stainless Steel Part Number: BLP-127-0635-LI-S17
12.70	63.50	11.68	15.09	17-4 PH Stainless Stainless: Double Acting - Ring Handle - Stainless Steel Part Number: BLP-127-0635-DR-S17
12.70	63.50	11.68	15.09	17-4 PH or PH15-7MO shank with CRES440C spindle: High Tension - Industrial Part Number: BLP-127-0635-HTI-S17
12.70	63.50	11.68	15.09	17-4 PH Stainless Stainless: Double Acting - T-Handle - Stainless Steel Part Number: BLP-127-0635-DT-S17
12.70	63.50	11.68	15.09	Carbon Steel: T-Handle - Commercial Part Number: BLP-127-0635-TC-C
12.70	63.50	11.68	15.09	Carbon Steel: Button Handle - Commercial Part Number: BLP-127-0635-BTC-C
12.70	63.50	13.46	15.06	17-4 PH Stainless Stainless: T-Handle - Stainless Steel - Heavy Duty Part Number: BLP-127-0635-THD-S17
12.70	63.50	14.48	15.88	Carbon Steel: Shoulder Type - Ring Handle Part Number: BLP-127-0635-RSH-C
12.70	63.50	14.48	15.88	Carbon Steel: Shoulder Type - T Handle Part Number: BLP-127-0635-TSH-C
12.70	63.50	15.88	14.48	Carbon Steel: Keyring Style - Steel Part Number: BLP-127-0635-K1-C
12.70	63.50	15.88	14.48	303 Stainless Steel: Keyring Style - 303/304 Stainless Steel Part Number: BLP-127-0635-K1-S3
12.70	63.50	15.88	14.48	316 Stainless Steel: Keyring Style - 316 Stainless Steel Part Number: * BLP-127-0635-K1-S6
12.70	63.50	15.88	14.48	304 Stainless Steel: Keyring Style - 303/304 Stainless Steel Part Number: * BLP-127-0635-K2-S4
12.70 x 69.85 mm (0.50 x 2.75 in.)				
12.70	69.85	13.46	15.06	304 Stainless Steel: Marine Style - Recessed Head Part Number: BLP-127-0699-MRE-S4
12.70	69.85	13.46	15.06	304 Stainless Steel: Marine Style - Half Ring Part Number: * BLP-127-0699-MHR-S4
12.70	69.85	15.88	14.48	316 Stainless Steel: Keyring Style - 316 Stainless Steel Part Number: * BLP-127-0699-K1-S6
12.70	69.85	15.88	14.48	304 Stainless Steel: Keyring Style - 303/304 Stainless Steel Part Number: * BLP-127-0699-K2-S4
12.70 x 76.00 mm (0.50 x 2.99 in.)				
12.70	76.00	11.68	15.08	Carbon Steel: Button Handle - Steel Part Number: * BLP-127-0760-BT-C
12.70 x 76.20 mm (0.50 x 3.00 in.)				
12.70	76.20	13.46	15.06	304 Stainless Steel: Marine Style - Half Ring Part Number: * BLP-127-0762-MHR-S4
12.70	76.20	11.68	15.08	Aluminium and Carbon Steel: T-Handle - Industrial - Steel and Aluminium Part Number: * BLP-127-0762-TI-AC
12.70	76.20	11.68	15.08	Carbon steel with aluminium handle, stainless ball and ring.: L-Handle - Industrial - Steel Part Number: BLP-127-0762-LI-C
12.70	76.20	11.68	15.08	17-4 PH Stainless Stainless: T-Handle - Industrial - Stainless Steel Part Number: BLP-127-0762-TI-S17

Ball Lock Pins

Nominal Pin Dia. A (mm)	Grip Length (mm)	End Distance C (mm)	Open Ball Distance B (mm)	
12.70 x 76.20 mm		<i>(0.50 x 3.00 in.)</i>		
12.70	76.20	11.68	15.08	17-4 PH Stainless Stainless: Ring Handle - Industrial - Stainless Steel Part Number: BLP-127-0762-RHI-S17
12.70	76.20	11.68	15.08	Carbon Steel: Ring Handle - Industrial - Steel Part Number: BLP-127-0762-RHI-C
12.70	76.20	11.68	15.08	17-4 PH Stainless Stainless: Button Handle - Stainless Steel Part Number: BLP-127-0762-BT-S17
12.70	76.20	11.68	15.09	17-4 PH Stainless Stainless: L-Handle - Industrial - Stainless Steel Part Number: BLP-127-0762-LI-S17
12.70	76.20	11.68	15.09	17-4 PH Stainless Stainless: Double Acting - Ring Handle - Stainless Steel Part Number: BLP-127-0762-DR-S17
12.70	76.20	11.68	15.09	17-4 PH or PH15-7MO shank with CRES440C spindle: High Tension - Industrial Part Number: * BLP-127-0762-HTI-S17
12.70	76.20	11.68	15.09	17-4 PH Stainless Stainless: Double Acting - L-Handle - Stainless Steel Part Number: BLP-127-0762-DL-S17
12.70	76.20	11.68	15.09	17-4 PH Stainless Stainless: Double Acting - T-Handle - Stainless Steel Part Number: * BLP-127-0762-DT-S17
12.70	76.20	11.68	15.09	Carbon Steel: T-Handle - Commercial Part Number: BLP-127-0762-TC-C
12.70	76.20	11.68	15.09	Carbon Steel: Button Handle - Commercial Part Number: BLP-127-0762-BTC-C
12.70	76.20	13.46	15.06	17-4 PH Stainless Stainless: T-Handle - Stainless Steel - Heavy Duty Part Number: BLP-127-0762-THD-S17
12.70	76.20	14.48	15.88	Carbon Steel: Shoulder Type - T Handle Part Number: BLP-127-0762-TSH-C
12.70	76.20	14.48	15.88	Carbon Steel: Shoulder Type - Ring Handle Part Number: BLP-127-0762-RSH-C
12.70	76.20	15.88	14.48	Carbon Steel: Keyring Style - Steel Part Number: BLP-127-0762-K1-C
12.70	76.20	15.88	14.48	303 Stainless Steel: Keyring Style - 303/304 Stainless Steel Part Number: BLP-127-0762-K1-S3
12.70	76.20	15.88	14.48	316 Stainless Steel: Keyring Style - 316 Stainless Steel Part Number: * BLP-127-0762-K1-S6
12.70	76.20	15.88	14.48	304 Stainless Steel: Keyring Style - 303/304 Stainless Steel Part Number: * BLP-127-0762-K2-S4
12.70 x 82.55 mm		<i>(0.50 x 3.25 in.)</i>		
12.70	82.55	13.46	15.06	304 Stainless Steel: Marine Style - Recessed Head Part Number: BLP-127-0826-MRE-S4
12.70	82.55	13.46	15.06	304 Stainless Steel: Marine Style - Half Ring Part Number: * BLP-127-0826-MHR-S4
12.70	82.55	15.88	14.48	316 Stainless Steel: Keyring Style - 316 Stainless Steel Part Number: * BLP-127-0826-K1-S6
12.70	82.55	15.88	14.48	304 Stainless Steel: Keyring Style - 303/304 Stainless Steel Part Number: * BLP-127-0826-K2-S4
12.70 x 88.90 mm		<i>(0.50 x 3.50 in.)</i>		
12.70	88.90	13.46	15.06	304 Stainless Steel: Marine Style - Recessed Head Part Number: BLP-127-0889-MRE-S4
12.70	88.90	13.46	15.06	304 Stainless Steel: Marine Style - Half Ring Part Number: * BLP-127-0889-MHR-S4
12.70	88.90	11.68	15.08	Aluminium and Carbon Steel: T-Handle - Industrial - Steel and Aluminium Part Number: * BLP-127-0889-TI-AC
12.70	88.90	11.68	15.08	Carbon Steel: Button Handle - Steel Part Number: BLP-127-0889-BT-C
12.70	88.90	11.68	15.08	17-4 PH Stainless Stainless: T-Handle - Industrial - Stainless Steel Part Number: * BLP-127-0889-TI-S17
12.70	88.90	11.68	15.08	Carbon steel with aluminium handle, stainless ball and ring.: L-Handle - Industrial - Steel Part Number: * BLP-127-0889-LI-C
12.70	88.90	11.68	15.08	Carbon Steel: Ring Handle - Industrial - Steel Part Number: * BLP-127-0889-RHI-C
12.70	88.90	11.68	15.08	17-4 PH Stainless Stainless: Button Handle - Stainless Steel Part Number: * BLP-127-0889-BT-S17

Stocked or Short Delivery (up to 4 weeks)
 Usually 4-6 week delivery
 Long delivery or not in current production

* Large Minimum Quantities

** Available only while stock lasts

Ball Lock Pins

Nominal Pin Dia. A (mm)	Grip Length (mm)	End Distance C (mm)	Open Ball Distance B (mm)	
12.70 x 88.90 mm		<i>(0.50 x 3.50 in.)</i>		
12.70	88.90	11.68	15.09	17-4 PH Stainless Stainless: L-Handle - Industrial - Stainless Steel Part Number: * BLP-127-0889-LI-S17
12.70	88.90	11.68	15.09	Carbon Steel: T-Handle - Commercial Part Number: BLP-127-0889-TC-C
12.70	88.90	11.68	15.09	Carbon Steel: Button Handle - Commercial Part Number: BLP-127-0889-BTC-C
12.70	88.90	13.46	15.06	17-4 PH Stainless Stainless: T-Handle - Stainless Steel - Heavy Duty Part Number: * BLP-127-0889-THD-S17
12.70	88.90	14.48	15.88	Carbon Steel: Shoulder Type - T Handle Part Number: BLP-127-0889-TSH-C
12.70	88.90	15.88	14.48	Carbon Steel: Keyring Style - Steel Part Number: BLP-127-0889-K1-C
12.70	88.90	15.88	14.48	303 Stainless Steel: Keyring Style - 303/304 Stainless Steel Part Number: BLP-127-0889-K1-S3
12.70	88.90	15.88	14.48	316 Stainless Steel: Keyring Style - 316 Stainless Steel Part Number: * BLP-127-0889-K1-S6
12.70	88.90	15.88	14.48	304 Stainless Steel: Keyring Style - 303/304 Stainless Steel Part Number: * BLP-127-0889-K2-S4
12.70 x 95.25 mm		<i>(0.50 x 3.75 in.)</i>		
12.70	95.25	13.46	15.06	304 Stainless Steel: Marine Style - Half Ring Part Number: BLP-127-0953-MHR-S4
12.70	95.25	13.46	15.06	304 Stainless Steel: Marine Style - Recessed Head Part Number: * BLP-127-0953-MRE-S4
12.70	95.25	15.88	14.48	316 Stainless Steel: Keyring Style - 316 Stainless Steel Part Number: * BLP-127-0953-K1-S6
12.70	95.25	15.88	14.48	304 Stainless Steel: Keyring Style - 303/304 Stainless Steel Part Number: * BLP-127-0953-K2-S4
12.70 x 101.60 mm		<i>(0.50 x 4.00 in.)</i>		
12.70	101.60	13.46	15.06	304 Stainless Steel: Marine Style - Recessed Head Part Number: BLP-127-1016-MRE-S4
12.70	101.60	13.46	15.06	304 Stainless Steel: Marine Style - Half Ring Part Number: * BLP-127-1016-MHR-S4
12.70	101.60	11.68	15.08	Aluminium and Carbon Steel: T-Handle - Industrial - Steel and Aluminium Part Number: * BLP-127-1016-TI-AC
12.70	101.60	11.68	15.08	17-4 PH Stainless Stainless: T-Handle - Industrial - Stainless Steel Part Number: BLP-127-1016-TI-S17
12.70	101.60	11.68	15.08	Carbon steel with aluminium handle, stainless ball and ring.: L-Handle - Industrial - Steel Part Number: * BLP-127-1016-LI-C
12.70	101.60	11.68	15.08	Carbon Steel: Button Handle - Steel Part Number: * BLP-127-1016-BT-C
12.70	101.60	11.68	15.08	17-4 PH Stainless Stainless: Ring Handle - Industrial - Stainless Steel Part Number: BLP-127-1016-RHI-S17
12.70	101.60	11.68	15.08	Carbon Steel: Ring Handle - Industrial - Steel Part Number: * BLP-127-1016-RHI-C
12.70	101.60	11.68	15.08	17-4 PH Stainless Stainless: Button Handle - Stainless Steel Part Number: BLP-127-1016-BT-S17
12.70	101.60	11.68	15.09	17-4 PH Stainless Stainless: L-Handle - Industrial - Stainless Steel Part Number: BLP-127-1016-LI-S17
12.70	101.60	11.68	15.09	17-4 PH or PH15-7MO shank with CRES440C spindle: High Tension - Industrial Part Number: * BLP-127-1016-HTI-S17
12.70	101.60	11.68	15.09	Carbon Steel: T-Handle - Commercial Part Number: BLP-127-1016-TC-C
12.70	101.60	11.68	15.09	Carbon Steel: Button Handle - Commercial Part Number: BLP-127-1016-BTC-C
12.70	101.60	13.46	15.06	17-4 PH Stainless Stainless: T-Handle - Stainless Steel - Heavy Duty Part Number: BLP-127-1016-THD-S17
12.70	101.60	14.48	15.88	Carbon Steel: Shoulder Type - T Handle Part Number: BLP-127-1016-TSH-C
12.70	101.60	14.48	15.88	Carbon Steel: Shoulder Type - Ring Handle Part Number: BLP-127-1016-RSH-C

Stocked or Short Delivery (up to 4 weeks)
 Usually 4-6 week delivery
 Long delivery or not in current production

* Large Minimum Quantities

** Available only while stock lasts

Ball Lock Pins

Nominal Pin Dia. A (mm)	Grip Length (mm)	End Distance C (mm)	Open Ball Distance B (mm)	
12.70 x 101.60 mm (0.50 x 4.00 in.)				
12.70	101.60	15.88	14.48	Carbon Steel: Keyring Style - Steel Part Number: BLP-127-1016-K1-C
12.70	101.60	15.88	14.48	303 Stainless Steel: Keyring Style - 303/304 Stainless Steel Part Number: BLP-127-1016-K1-S3
12.70	101.60	15.88	14.48	316 Stainless Steel: Keyring Style - 316 Stainless Steel Part Number: * BLP-127-1016-K1-S6
12.70	101.60	15.88	14.48	304 Stainless Steel: Keyring Style - 303/304 Stainless Steel Part Number: * BLP-127-1016-K2-S4
12.70 x 107.95 mm (0.50 x 4.25 in.)				
12.70	107.95	13.46	15.06	304 Stainless Steel: Marine Style - Half Ring Part Number: BLP-127-1080-MHR-S4
12.70	107.95	13.46	15.06	304 Stainless Steel: Marine Style - Recessed Head Part Number: BLP-127-1080-MRE-S4
12.70	107.95	15.88	14.48	316 Stainless Steel: Keyring Style - 316 Stainless Steel Part Number: * BLP-127-1080-K1-S6
12.70	107.95	15.88	14.48	304 Stainless Steel: Keyring Style - 303/304 Stainless Steel Part Number: * BLP-127-1080-K2-S4
12.70 x 114.30 mm (0.50 x 4.50 in.)				
12.70	114.30	13.46	15.06	304 Stainless Steel: Marine Style - Half Ring Part Number: BLP-127-1143-MHR-S4
12.70	114.30	13.46	15.06	304 Stainless Steel: Marine Style - Recessed Head Part Number: * BLP-127-1143-MRE-S4
12.70	114.30	11.68	15.08	Aluminium and Carbon Steel: T-Handle - Industrial - Steel and Aluminium Part Number: * BLP-127-1143-TI-AC
12.70	114.30	11.68	15.08	Carbon Steel: Button Handle - Steel Part Number: * BLP-127-1143-BT-C
12.70	114.30	11.68	15.08	17-4 PH Stainless Steel: T-Handle - Industrial - Stainless Steel Part Number: * BLP-127-1143-TI-S17
12.70	114.30	11.68	15.08	Carbon steel with aluminium handle, stainless ball and ring.: L-Handle - Industrial - Steel Part Number: * BLP-127-1143-LI-C
12.70	114.30	11.68	15.08	17-4 PH Stainless Steel: Ring Handle - Industrial - Stainless Steel Part Number: BLP-127-1143-RHI-S17
12.70	114.30	11.68	15.08	Carbon Steel: Ring Handle - Industrial - Steel Part Number: * BLP-127-1143-RHI-C
12.70	114.30	11.68	15.09	17-4 PH Stainless Steel: L-Handle - Industrial - Stainless Steel Part Number: * BLP-127-1143-LI-S17
12.70	114.30	11.68	15.09	17-4 PH Stainless Steel: Double Acting - Ring Handle - Stainless Steel Part Number: BLP-127-1143-DR-S17
12.70	114.30	13.46	15.06	17-4 PH Stainless Steel: T-Handle - Stainless Steel - Heavy Duty Part Number: * BLP-127-1143-THD-S17
12.70	114.30	15.88	14.48	Carbon Steel: Keyring Style - Steel Part Number: BLP-127-1143-K1-C
12.70	114.30	15.88	14.48	316 Stainless Steel: Keyring Style - 316 Stainless Steel Part Number: * BLP-127-1143-K1-S6
12.70	114.30	15.88	14.48	304 Stainless Steel: Keyring Style - 303/304 Stainless Steel Part Number: * BLP-127-1143-K2-S4
12.70 x 120.65 mm (0.50 x 4.75 in.)				
12.70	120.65	13.46	15.06	304 Stainless Steel: Marine Style - Recessed Head Part Number: * BLP-127-1207-MRE-S4
12.70	120.65	13.46	15.06	304 Stainless Steel: Marine Style - Half Ring Part Number: * BLP-127-1207-MHR-S4
12.70	120.65	15.88	14.48	316 Stainless Steel: Keyring Style - 316 Stainless Steel Part Number: * BLP-127-1207-K1-S6
12.70	120.65	15.88	14.48	304 Stainless Steel: Keyring Style - 303/304 Stainless Steel Part Number: * BLP-127-1207-K2-S4
12.70 x 127.00 mm (0.50 x 5.00 in.)				
12.70	127.00	13.46	15.06	304 Stainless Steel: Marine Style - Recessed Head Part Number: BLP-127-1270-MRE-S4
12.70	127.00	13.46	15.06	304 Stainless Steel: Marine Style - Half Ring Part Number: * BLP-127-1270-MHR-S4

Stocked or Short Delivery (up to 4 weeks)
 Usually 4-6 week delivery
 Long delivery or not in current production

* Large Minimum Quantities

** Available only while stock lasts

Ball Lock Pins

Nominal Pin Dia. A (mm)	Grip Length (mm)	End Distance C (mm)	Open Ball Distance B (mm)	
12.70 x 127.00 mm (0.50 x 5.00 in.)				
12.70	127.00	11.68	15.08	Aluminium and Carbon Steel: T-Handle - Industrial - Steel and Aluminium Part Number: * BLP-127-1270-TI-AC
12.70	127.00	11.68	15.08	Carbon Steel: Button Handle - Steel Part Number: BLP-127-1270-BT-C
12.70	127.00	11.68	15.08	17-4 PH Stainless Steel: T-Handle - Industrial - Stainless Steel Part Number: BLP-127-1270-TI-S17
12.70	127.00	11.68	15.08	Carbon steel with aluminium handle, stainless ball and ring.: L-Handle - Industrial - Steel Part Number: * BLP-127-1270-LI-C
12.70	127.00	11.68	15.08	Carbon Steel: Ring Handle - Industrial - Steel Part Number: * BLP-127-1270-RHI-C
12.70	127.00	11.68	15.08	17-4 PH Stainless Steel: Button Handle - Stainless Steel Part Number: BLP-127-1270-BT-S17
12.70	127.00	14.48	15.88	Carbon Steel: Shoulder Type - Ring Handle Part Number: BLP-127-1270-RSH-C
12.70	127.00	14.48	15.88	Carbon Steel: Shoulder Type - T Handle Part Number: BLP-127-1270-TSH-C
12.70	127.00	15.88	14.48	Carbon Steel: Keyring Style - Steel Part Number: BLP-127-1270-K1-C
12.70	127.00	15.88	14.48	303 Stainless Steel: Keyring Style - 303/304 Stainless Steel Part Number: BLP-127-1270-K1-S3
12.70	127.00	15.88	14.48	316 Stainless Steel: Keyring Style - 316 Stainless Steel Part Number: * BLP-127-1270-K1-S6
12.70	127.00	15.88	14.48	304 Stainless Steel: Keyring Style - 303/304 Stainless Steel Part Number: * BLP-127-1270-K2-S4
12.70 x 139.70 mm (0.50 x 5.50 in.)				
12.70	139.70	11.68	15.08	Aluminium and Carbon Steel: T-Handle - Industrial - Steel and Aluminium Part Number: * BLP-127-1397-TI-AC
12.70	139.70	11.68	15.08	Carbon steel with aluminium handle, stainless ball and ring.: L-Handle - Industrial - Steel Part Number: * BLP-127-1397-LI-C
12.70	139.70	11.68	15.08	Carbon Steel: Button Handle - Steel Part Number: * BLP-127-1397-BT-C
12.70	139.70	11.68	15.08	17-4 PH Stainless Steel: T-Handle - Industrial - Stainless Steel Part Number: * BLP-127-1397-TI-S17
12.70	139.70	11.68	15.08	Carbon Steel: Ring Handle - Industrial - Steel Part Number: * BLP-127-1397-RHI-C
12.70	139.70	15.88	14.48	Carbon Steel: Keyring Style - Steel Part Number: BLP-127-1397-K1-C
12.70	139.70	15.88	14.48	303 Stainless Steel: Keyring Style - 303/304 Stainless Steel Part Number: BLP-127-1397-K1-S3
12.70 x 152.40 mm (0.50 x 6.00 in.)				
12.70	152.40	13.46	15.06	304 Stainless Steel: Marine Style - Recessed Head Part Number: * BLP-127-1524-MRE-S4
12.70	152.40	11.68	15.08	Aluminium and Carbon Steel: T-Handle - Industrial - Steel and Aluminium Part Number: * BLP-127-1524-TI-AC
12.70	152.40	11.68	15.08	17-4 PH Stainless Steel: T-Handle - Industrial - Stainless Steel Part Number: BLP-127-1524-TI-S17
12.70	152.40	11.68	15.08	Carbon steel with aluminium handle, stainless ball and ring.: L-Handle - Industrial - Steel Part Number: BLP-127-1524-LI-C
12.70	152.40	11.68	15.08	Carbon Steel: Ring Handle - Industrial - Steel Part Number: BLP-127-1524-RHI-C
12.70	152.40	15.88	14.48	Carbon Steel: Keyring Style - Steel Part Number: BLP-127-1524-K1-C
12.70	152.40	15.88	14.48	303 Stainless Steel: Keyring Style - 303/304 Stainless Steel Part Number: BLP-127-1524-K1-S3
14.29 x 50.80 mm (0.56 x 2.00 in.)				
14.29	50.80	12.95	16.91	Aluminium and Carbon Steel: T-Handle - Industrial - Steel and Aluminium Part Number: BLP-143-0508-TI-AC
14.29	50.80	12.95	16.91	Carbon steel with aluminium handle, stainless ball and ring.: L-Handle - Industrial - Steel Part Number: * BLP-143-0508-LI-C

Ball Lock Pins

Nominal Pin Dia. A (mm)	Grip Length (mm)	End Distance C (mm)	Open Ball Distance B (mm)	
14.29 x 50.80 mm (0.56 x 2.00 in.)				
14.29	50.80	12.95	16.91	Carbon Steel: Ring Handle - Industrial - Steel Part Number: * BLP-143-0508-RHI-C
14.29 x 63.50 mm (0.56 x 2.50 in.)				
14.29	63.50	12.95	16.91	Aluminium and Carbon Steel: T-Handle - Industrial - Steel and Aluminium Part Number: * BLP-143-0635-TI-AC
14.29	63.50	12.95	16.91	Carbon steel with aluminium handle, stainless ball and ring.: L-Handle - Industrial - Steel Part Number: * BLP-143-0635-LI-C
14.29 x 76.20 mm (0.56 x 3.00 in.)				
14.29	76.20	12.95	16.91	Aluminium and Carbon Steel: T-Handle - Industrial - Steel and Aluminium Part Number: * BLP-143-0762-TI-AC
14.29	76.20	12.95	16.91	Carbon Steel: Ring Handle - Industrial - Steel Part Number: * BLP-143-0762-RHI-C
14.29 x 88.90 mm (0.56 x 3.50 in.)				
14.29	88.90	12.95	16.91	Aluminium and Carbon Steel: T-Handle - Industrial - Steel and Aluminium Part Number: * BLP-143-0889-TI-AC
14.29	88.90	12.95	16.91	Carbon steel with aluminium handle, stainless ball and ring.: L-Handle - Industrial - Steel Part Number: * BLP-143-0889-LI-C
14.29 x 101.60 mm (0.56 x 4.00 in.)				
14.29	101.60	12.95	16.91	Aluminium and Carbon Steel: T-Handle - Industrial - Steel and Aluminium Part Number: * BLP-143-1016-TI-AC
15.88 x 5.80 mm (0.63 x 0.23 in.)				
15.88	5.80	14.73	19.05	Aluminium and Carbon Steel: T-Handle - Industrial - Steel and Aluminium Part Number: * BLP-159-0058-TI-AC
15.88 x 12.70 mm (0.63 x 0.50 in.)				
15.88	12.70	14.73	19.05	Carbon Steel: T-Handle - Commercial Part Number: BLP-159-0127-TC-C
15.88	12.70	14.73	19.05	Carbon Steel: Button Handle - Commercial Part Number: BLP-159-0127-BTC-C
15.88 x 25.40 mm (0.63 x 1.00 in.)				
15.88	25.40	16.51	19.00	304 Stainless Steel: Marine Style - Recessed Head Part Number: * BLP-159-0254-MRE-S4
15.88	25.40	16.51	19.00	304 Stainless Steel: Marine Style - Half Ring Part Number: * BLP-159-0254-MHR-S4
15.88	25.40	14.73	19.05	Carbon Steel: T-Handle - Commercial Part Number: BLP-159-0254-TC-C
15.88	25.40	14.73	19.05	Carbon Steel: Button Handle - Commercial Part Number: BLP-159-0254-BTC-C
15.88	25.40	19.05	18.03	316 Stainless Steel: Keyring Style - 316 Stainless Steel Part Number: * BLP-159-0254-K1-S6
15.88	25.40	19.05	18.03	304 Stainless Steel: Keyring Style - 303/304 Stainless Steel Part Number: * BLP-159-0254-K2-S4
15.88 x 31.75 mm (0.63 x 1.25 in.)				
15.88	31.75	16.51	19.00	304 Stainless Steel: Marine Style - Recessed Head Part Number: * BLP-159-0318-MRE-S4
15.88	31.75	16.51	19.00	304 Stainless Steel: Marine Style - Half Ring Part Number: * BLP-159-0318-MHR-S4
15.88	31.75	19.05	18.03	316 Stainless Steel: Keyring Style - 316 Stainless Steel Part Number: * BLP-159-0318-K1-S6
15.88	31.75	19.05	18.03	304 Stainless Steel: Keyring Style - 303/304 Stainless Steel Part Number: * BLP-159-0318-K2-S4
15.88 x 38.10 mm (0.63 x 1.50 in.)				
15.88	38.10	16.51	19.00	304 Stainless Steel: Marine Style - Half Ring Part Number: * BLP-159-0381-MHR-S4
15.88	38.10	16.51	19.00	304 Stainless Steel: Marine Style - Recessed Head Part Number: * BLP-159-0381-MRE-S4
15.88	38.10	14.73	19.05	Aluminium and Carbon Steel: T-Handle - Industrial - Steel and Aluminium Part Number: * BLP-159-0381-TI-AC

Stocked or Short Delivery (up to 4 weeks)
 Usually 4-6 week delivery
 Long delivery or not in current production

* Large Minimum Quantities

** Available only while stock lasts

Ball Lock Pins

Nominal Pin Dia. A (mm)	Grip Length (mm)	End Distance C (mm)	Open Ball Distance B (mm)	
15.88 x 38.10 mm		<i>(0.63 x 1.50 in.)</i>		
15.88	38.10	14.73	19.05	17-4 PH Stainless Steel: T-Handle - Industrial - Stainless Steel Part Number: BLP-159-0381-TI-S17
15.88	38.10	14.73	19.05	Carbon Steel: Button Handle - Steel Part Number: * BLP-159-0381-BT-C
15.88	38.10	14.73	19.05	17-4 PH Stainless Steel: Button Handle - Stainless Steel Part Number: BLP-159-0381-BT-S17
15.88	38.10	14.73	19.05	Carbon Steel: T-Handle - Commercial Part Number: BLP-159-0381-TC-C
15.88	38.10	14.73	19.05	Carbon Steel: Button Handle - Commercial Part Number: BLP-159-0381-BTC-C
15.88	38.10	16.51	19.00	17-4 PH Stainless Steel: T-Handle - Stainless Steel - Heavy Duty Part Number: BLP-159-0381-THD-S17
15.88	38.10	18.03	19.05	Carbon Steel: Shoulder Type - T Handle Part Number: BLP-159-0381-TSH-C
15.88	38.10	19.05	18.03	316 Stainless Steel: Keyring Style - 316 Stainless Steel Part Number: * BLP-159-0381-K1-S6
15.88	38.10	19.05	18.03	304 Stainless Steel: Keyring Style - 303/304 Stainless Steel Part Number: * BLP-159-0381-K2-S4
15.88 x 44.45 mm		<i>(0.63 x 1.75 in.)</i>		
15.88	44.45	16.51	19.00	304 Stainless Steel: Marine Style - Recessed Head Part Number: * BLP-159-0445-MRE-S4
15.88	44.45	16.51	19.00	304 Stainless Steel: Marine Style - Half Ring Part Number: * BLP-159-0445-MHR-S4
15.88	44.45	19.05	18.03	316 Stainless Steel: Keyring Style - 316 Stainless Steel Part Number: * BLP-159-0445-K1-S6
15.88	44.45	19.05	18.03	304 Stainless Steel: Keyring Style - 303/304 Stainless Steel Part Number: * BLP-159-0445-K2-S4
15.88 x 50.80 mm		<i>(0.63 x 2.00 in.)</i>		
15.88	50.80	16.51	19.00	304 Stainless Steel: Marine Style - Half Ring Part Number: * BLP-159-0508-MHR-S4
15.88	50.80	16.51	19.00	304 Stainless Steel: Marine Style - Recessed Head Part Number: * BLP-159-0508-MRE-S4
15.88	50.80	14.73	19.05	17-4 PH Stainless Steel: T-Handle - Industrial - Stainless Steel Part Number: BLP-159-0058-TI-S17
15.88	50.80	14.73	19.05	Carbon steel with aluminium handle, stainless ball and ring.: L-Handle - Industrial - Steel Part Number: BLP-159-0058-LI-C
15.88	50.80	14.73	19.05	Carbon Steel: Button Handle - Steel Part Number: * BLP-159-0508-BT-C
15.88	50.80	14.73	19.05	Carbon Steel: Ring Handle - Industrial - Steel Part Number: * BLP-159-0508-RHI-C
15.88	50.80	14.73	19.05	17-4 PH Stainless Steel: Button Handle - Stainless Steel Part Number: BLP-159-0508-BT-S17
15.88	50.80	14.73	19.05	Carbon Steel: T-Handle - Commercial Part Number: BLP-159-0508-TC-C
15.88	50.80	14.73	19.05	Carbon Steel: Button Handle - Commercial Part Number: BLP-159-0508-BTC-C
15.88	50.80	16.51	19.00	17-4 PH Stainless Steel: T-Handle - Stainless Steel - Heavy Duty Part Number: BLP-159-0508-THD-S17
15.88	50.80	18.03	19.05	Carbon Steel: Shoulder Type - T Handle Part Number: BLP-159-0508-TSH-C
15.88	50.80	19.05	18.03	Carbon Steel: Keyring Style - Steel Part Number: BLP-159-0508-K1-C
15.88	50.80	19.05	18.03	303 Stainless Steel: Keyring Style - 303/304 Stainless Steel Part Number: BLP-159-0508-K1-S3
15.88	50.80	19.05	18.03	316 Stainless Steel: Keyring Style - 316 Stainless Steel Part Number: * BLP-159-0508-K1-S6
15.88	50.80	19.05	18.03	304 Stainless Steel: Keyring Style - 303/304 Stainless Steel Part Number: * BLP-159-0508-K2-S4

Ball Lock Pins

Nominal Pin Dia. A (mm)	Grip Length (mm)	End Distance C (mm)	Open Ball Distance B (mm)	
15.88 x 63.50 mm		<i>(0.63 x 2.50 in.)</i>		
15.88	63.50	14.73	19.05	Aluminium and Carbon Steel: T-Handle - Industrial - Steel and Aluminium Part Number: * BLP-159-0635-TI-AC
15.88	63.50	14.73	19.05	17-4 PH Stainless Stainless: T-Handle - Industrial - Stainless Steel Part Number: BLP-159-0635-TI-S17
15.88	63.50	14.73	19.05	Carbon steel with aluminium handle, stainless ball and ring.: L-Handle - Industrial - Steel Part Number: * BLP-159-0635-LI-C
15.88	63.50	14.73	19.05	Carbon Steel: Button Handle - Steel Part Number: * BLP-159-0635-BT-C
15.88	63.50	14.73	19.05	Carbon Steel: Ring Handle - Industrial - Steel Part Number: * BLP-159-0635-RHI-C
15.88	63.50	14.73	19.05	17-4 PH Stainless Stainless: Button Handle - Stainless Steel Part Number: BLP-159-0635-BT-S17
15.88	63.50	14.73	19.05	Carbon Steel: T-Handle - Commercial Part Number: BLP-159-0635-TC-C
15.88	63.50	14.73	19.05	Carbon Steel: Button Handle - Commercial Part Number: BLP-159-0635-BTC-C
15.88	63.50	16.51	19.00	17-4 PH Stainless Stainless: T-Handle - Stainless Steel - Heavy Duty Part Number: BLP-159-0635-THD-S17
15.88	63.50	18.03	19.05	Carbon Steel: Shoulder Type - Ring Handle Part Number: BLP-159-0635-RSH-C
15.88	63.50	19.05	18.03	Carbon Steel: Keyring Style - Steel Part Number: BLP-159-0635-K1-C
15.88	63.50	19.05	18.03	303 Stainless Steel: Keyring Style - 303/304 Stainless Steel Part Number: BLP-159-0635-K1-S3
15.88 x 76.00 mm		<i>(0.63 x 2.99 in.)</i>		
15.88	76.00	14.73	19.05	Carbon Steel: Button Handle - Steel Part Number: * BLP-159-0760-BT-C
15.88 x 76.20 mm		<i>(0.63 x 3.00 in.)</i>		
15.88	76.20	16.51	19.00	304 Stainless Steel: Marine Style - Recessed Head Part Number: * BLP-159-0762-MRE-S4
15.88	76.20	16.51	19.00	304 Stainless Steel: Marine Style - Half Ring Part Number: * BLP-159-0762-MHR-S4
15.88	76.20	14.73	19.05	Aluminium and Carbon Steel: T-Handle - Industrial - Steel and Aluminium Part Number: * BLP-159-0762-TI-AC
15.88	76.20	14.73	19.05	17-4 PH Stainless Stainless: T-Handle - Industrial - Stainless Steel Part Number: BLP-159-0762-TI-S17
15.88	76.20	14.73	19.05	Carbon steel with aluminium handle, stainless ball and ring.: L-Handle - Industrial - Steel Part Number: * BLP-159-0762-LI-C
15.88	76.20	14.73	19.05	Carbon Steel: Ring Handle - Industrial - Steel Part Number: BLP-159-0762-RHI-C
15.88	76.20	14.73	19.05	17-4 PH Stainless Stainless: Button Handle - Stainless Steel Part Number: BLP-159-0762-BT-S17
15.88	76.20	14.73	19.05	17-4 PH Stainless Stainless: L-Handle - Industrial - Stainless Steel Part Number: BLP-159-0762-LI-S17
15.88	76.20	14.73	19.05	Carbon Steel: T-Handle - Commercial Part Number: BLP-159-0762-TC-C
15.88	76.20	14.73	19.05	Carbon Steel: Button Handle - Commercial Part Number: BLP-159-0762-BTC-C
15.88	76.20	16.51	19.00	17-4 PH Stainless Stainless: T-Handle - Stainless Steel - Heavy Duty Part Number: BLP-159-0762-THD-S17
15.88	76.20	19.05	18.03	Carbon Steel: Keyring Style - Steel Part Number: BLP-159-0762-K1-C
15.88	76.20	19.05	18.03	304 Stainless Steel: Keyring Style - 303/304 Stainless Steel Part Number: BLP-159-0762-K1-S4
15.88	76.20	19.05	18.03	316 Stainless Steel: Keyring Style - 316 Stainless Steel Part Number: * BLP-159-0762-K1-S6
15.88 x 88.90 mm		<i>(0.63 x 3.50 in.)</i>		
15.88	88.90	14.73	19.05	Aluminium and Carbon Steel: T-Handle - Industrial - Steel and Aluminium Part Number: * BLP-159-0889-TI-AC

Stocked or Short Delivery (up to 4 weeks)
 Usually 4-6 week delivery
 Long delivery or not in current production

* Large Minimum Quantities

** Available only while stock lasts

Ball Lock Pins

Nominal Pin Dia. A (mm)	Grip Length (mm)	End Distance C (mm)	Open Ball Distance B (mm)	
15.88 x 88.90 mm (0.63 x 3.50 in.)				
15.88	88.90	14.73	19.05	Carbon steel with aluminium handle, stainless ball and ring.: L-Handle - Industrial - Steel Part Number: BLP-159-0889-LI-C
15.88	88.90	14.73	19.05	17-4 PH Stainless Stainless: T-Handle - Industrial - Stainless Steel Part Number: * BLP-159-0889-TI-S17
15.88	88.90	14.73	19.05	Carbon Steel: Button Handle - Steel Part Number: * BLP-159-0889-BT-C
15.88	88.90	14.73	19.05	Carbon Steel: Ring Handle - Industrial - Steel Part Number: * BLP-159-0889-RHI-C
15.88	88.90	14.73	19.05	17-4 PH Stainless Stainless: Button Handle - Stainless Steel Part Number: BLP-159-0889-BT-S17
15.88	88.90	14.73	19.05	17-4 PH Stainless Stainless: L-Handle - Industrial - Stainless Steel Part Number: * BLP-159-0889-LI-S17
15.88	88.90	14.73	19.05	Carbon Steel: T-Handle - Commercial Part Number: BLP-159-0889-TC-C
15.88	88.90	14.73	19.05	Carbon Steel: Button Handle - Commercial Part Number: BLP-159-0889-BTC-C
15.88	88.90	16.51	19.00	17-4 PH Stainless Stainless: T-Handle - Stainless Steel - Heavy Duty Part Number: * BLP-159-0889-THD-S17
15.88	88.90	19.05	18.03	Carbon Steel: Keyring Style - Steel Part Number: BLP-159-0889-K1-C
15.88 x 101.60 mm (0.63 x 4.00 in.)				
15.88	101.60	14.73	19.05	Aluminium and Carbon Steel: T-Handle - Industrial - Steel and Aluminium Part Number: * BLP-159-1016-TI-AC
15.88	101.60	14.73	19.05	17-4 PH Stainless Stainless: T-Handle - Industrial - Stainless Steel Part Number: BLP-159-1016-TI-S17
15.88	101.60	14.73	19.05	Carbon steel with aluminium handle, stainless ball and ring.: L-Handle - Industrial - Steel Part Number: * BLP-159-1016-LI-C
15.88	101.60	14.73	19.05	Carbon Steel: Ring Handle - Industrial - Steel Part Number: BLP-159-1016-RHI-C
15.88	101.60	14.73	19.05	17-4 PH Stainless Stainless: Button Handle - Stainless Steel Part Number: * BLP-159-1016-BT-S17
15.88	101.60	14.73	19.05	Carbon Steel: T-Handle - Commercial Part Number: BLP-159-1016-TC-C
15.88	101.60	14.73	19.05	Carbon Steel: Button Handle - Commercial Part Number: BLP-159-1016-BTC-C
15.88	101.60	16.51	19.00	17-4 PH Stainless Stainless: T-Handle - Stainless Steel - Heavy Duty Part Number: * BLP-159-1016-THD-S17
15.88	101.60	18.03	19.05	Carbon Steel: Shoulder Type - T Handle Part Number: BLP-159-1016-TSH-C
15.88	101.60	19.05	18.03	Carbon Steel: Keyring Style - Steel Part Number: BLP-159-1016-K1-C
15.88 x 114.30 mm (0.63 x 4.50 in.)				
15.88	114.30	14.73	19.05	Aluminium and Carbon Steel: T-Handle - Industrial - Steel and Aluminium Part Number: * BLP-159-1143-TI-AC
15.88	114.30	14.73	19.05	Carbon steel with aluminium handle, stainless ball and ring.: L-Handle - Industrial - Steel Part Number: * BLP-159-1143-LI-C
15.88	114.30	14.73	19.05	17-4 PH Stainless Stainless: T-Handle - Industrial - Stainless Steel Part Number: * BLP-159-1143-TI-S17
15.88	114.30	14.73	19.05	Carbon Steel: Ring Handle - Industrial - Steel Part Number: BLP-159-1143-RHI-C
15.88	114.30	16.51	19.00	17-4 PH Stainless Stainless: T-Handle - Stainless Steel - Heavy Duty Part Number: BLP-159-1143-THD-S17
15.88	114.30	19.05	18.03	Carbon Steel: Keyring Style - Steel Part Number: BLP-159-1143-K1-C
15.88	114.30	19.05	18.03	303 Stainless Steel: Keyring Style - 303/304 Stainless Steel Part Number: BLP-159-1143-K1-S3
15.88 x 127.00 mm (0.63 x 5.00 in.)				
15.88	127.00	14.73	19.05	Aluminium and Carbon Steel: T-Handle - Industrial - Steel and Aluminium Part Number: * BLP-159-1270-TI-AC

Stocked or Short Delivery (up to 4 weeks)
 Usually 4-6 week delivery
 Long delivery or not in current production

* Large Minimum Quantities

** Available only while stock lasts

Ball Lock Pins

Nominal Pin Dia. A (mm)	Grip Length (mm)	End Distance C (mm)	Open Ball Distance B (mm)	
15.88 x 127.00 mm (0.63 x 5.00 in.)				
15.88	127.00	14.73	19.05	17-4 PH Stainless Stainless: T-Handle - Industrial - Stainless Steel Part Number: BLP-159-1270-TI-S17
15.88	127.00	14.73	19.05	Carbon Steel: Ring Handle - Industrial - Steel Part Number: * BLP-159-1270-RHI-C
15.88	127.00	14.73	19.05	17-4 PH Stainless Stainless: Button Handle - Stainless Steel Part Number: BLP-159-1270-BT-S17
15.88	127.00	16.51	19.00	17-4 PH Stainless Stainless: T-Handle - Stainless Steel - Heavy Duty Part Number: BLP-159-1270-THD-S17
15.88	127.00	18.03	19.05	Carbon Steel: Shoulder Type - Ring Handle Part Number: BLP-159-1270-RSH-C
15.88	127.00	19.05	18.03	Carbon Steel: Keyring Style - Steel Part Number: BLP-159-1270-K1-C
15.88 x 139.70 mm (0.63 x 5.50 in.)				
15.88	139.70	14.73	19.05	Aluminium and Carbon Steel: T-Handle - Industrial - Steel and Aluminium Part Number: * BLP-159-1397-TI-AC
15.88	139.70	14.73	19.05	17-4 PH Stainless Stainless: T-Handle - Industrial - Stainless Steel Part Number: * BLP-159-1397-TI-S17
15.88	139.70	14.73	19.05	Carbon steel with aluminium handle, stainless ball and ring.: L-Handle - Industrial - Steel Part Number: * BLP-159-1397-LI-C
15.88 x 152.40 mm (0.63 x 6.00 in.)				
15.88	152.40	14.73	19.05	Aluminium and Carbon Steel: T-Handle - Industrial - Steel and Aluminium Part Number: * BLP-159-1524-TI-AC
15.88	152.40	14.73	19.05	Carbon steel with aluminium handle, stainless ball and ring.: L-Handle - Industrial - Steel Part Number: BLP-159-1524-LI-C
15.88	152.40	14.73	19.05	17-4 PH Stainless Stainless: T-Handle - Industrial - Stainless Steel Part Number: BLP-159-1524-TI-S17
15.88	152.40	14.73	19.05	17-4 PH Stainless Stainless: L-Handle - Industrial - Stainless Steel Part Number: BLP-159-1524-LI-S17
15.88	152.40	19.05	18.03	Carbon Steel: Keyring Style - Steel Part Number: BLP-159-1524-K1-C
16.00 x 50.00 mm (0.63 x 1.97 in.)				
16.00	50.00	14.00	19.00	Aluminium and Carbon Steel: T-Handle - Industrial - Steel and Aluminium Part Number: BLP-160-0500-TI-AC
16.00	50.00	14.00	19.00	Aluminium and 400 Grade Stainless: T-Handle - Industrial - Stainless Steel and Aluminium Part Number: BLP-160-0500-TI-S17
16.00 x 100.00 mm (0.63 x 3.94 in.)				
16.00	100.00	14.00	19.00	Aluminium and 400 Grade Stainless: T-Handle - Industrial - Stainless Steel and Aluminium Part Number: BLP-160-1000-TI-S17
16.00	100.00	14.00	19.00	Aluminium and Carbon Steel: T-Handle - Industrial - Steel and Aluminium Part Number: BLP-160-1000-TI-AC
19.05 x 25.40 mm (0.75 x 1.00 in.)				
19.05	25.40	19.81	22.53	304 Stainless Steel: Marine Style - Half Ring Part Number: * BLP-191-0254-MHR-S4
19.05	25.40	19.81	22.53	304 Stainless Steel: Marine Style - Recessed Head Part Number: * BLP-191-0254-MRE-S4
19.05	25.40	17.96	22.53	Carbon Steel: Shackle Part Number: BLP-191-0254-SHK-C
19.05 x 38.10 mm (0.75 x 1.50 in.)				
19.05	38.10	17.01	22.52	17-4 PH Stainless Stainless: T-Handle - Industrial - Stainless Steel Part Number: BLP-191-0381-TI-S17
19.05	38.10	17.01	22.52	Carbon steel with aluminium handle, stainless ball and ring.: L-Handle - Industrial - Steel Part Number: * BLP-191-0381-LI-C
19.05	38.10	17.01	22.52	17-4 PH Stainless Stainless: Button Handle - Stainless Steel Part Number: BLP-191-0381-BT-S17
19.05	38.10	17.01	22.52	Aluminium and Carbon Steel: T-Handle - Industrial - Steel and Aluminium Part Number: * BLP-191-0381-TI-AC
19.05	38.10	19.81	22.53	17-4 PH Stainless Stainless: T-Handle - Industrial - Stainless Steel - Heavy Duty Part Number: BLP-191-0381-THD-S17



Stocked or Short Delivery (up to 4 weeks)



Usually 4-6 week delivery



Long delivery or not in current production

* Large Minimum Quantities

** Available only while stock lasts

Ball Lock Pins

Nominal Pin Dia. A (mm)	Grip Length (mm)	End Distance C (mm)	Open Ball Distance B (mm)	
19.05 x 50.80 mm (0.75 x 2.00 in.)				
19.05	50.80	19.81	22.53	304 Stainless Steel: Marine Style - Recessed Head Part Number: * BLP-191-0508-MRE-S4
19.05	50.80	19.81	22.53	304 Stainless Steel: Marine Style - Half Ring Part Number: * BLP-191-0508-MHR-S4
19.05	50.80	17.01	22.52	17-4 PH Stainless Steel: T-Handle - Industrial - Stainless Steel Part Number: * BLP-191-0508-TI-S17
19.05	50.80	17.01	22.52	Carbon Steel: Button Handle - Steel Part Number: * BLP-191-0508-BT-C
19.05	50.80	17.01	22.52	Carbon Steel: Ring Handle - Industrial - Steel Part Number: BLP-191-0508-RHI-C
19.05	50.80	17.01	22.52	Aluminium and Carbon Steel: T-Handle - Industrial - Steel and Aluminium Part Number: * BLP-191-0508-TI-AC
19.05	50.80	17.01	22.53	17-4 PH Stainless Steel: L-Handle - Industrial - Stainless Steel Part Number: BLP-191-0508-LI-S17
19.05	50.80	21.74	23.80	Carbon Steel: Shoulder Type - T Handle Part Number: BLP-191-0508-TSH-C
19.05	50.80	21.74	23.80	Carbon Steel: Shoulder Type - Ring Handle Part Number: BLP-191-0508-RSH-C
19.05	50.80	23.80	21.74	Carbon Steel: Keyring Style - Steel Part Number: BLP-191-0508-K1-C
19.05	50.80	23.80	21.74	303 Stainless Steel: Keyring Style - 303/304 Stainless Steel Part Number: BLP-191-0508-K1-S3
19.05 x 63.50 mm (0.75 x 2.50 in.)				
19.05	63.50	17.01	22.52	Carbon steel with aluminium handle, stainless ball and ring.: L-Handle - Industrial - Steel Part Number: BLP-191-0635-LI-C
19.05	63.50	17.01	22.52	17-4 PH Stainless Steel: T-Handle - Industrial - Stainless Steel Part Number: BLP-191-0635-TI-S17
19.05	63.50	17.01	22.52	Carbon Steel: Button Handle - Steel Part Number: * BLP-191-0635-BT-C
19.05	63.50	17.01	22.52	Carbon Steel: Ring Handle - Industrial - Steel Part Number: * BLP-191-0635-RHI-C
19.05	63.50	17.01	22.52	17-4 PH Stainless Steel: Button Handle - Stainless Steel Part Number: BLP-191-0635-BT-S17
19.05	63.50	17.01	22.52	Aluminium and Carbon Steel: T-Handle - Industrial - Steel and Aluminium Part Number: * BLP-191-0635-TI-AC
19.05	63.50	17.01	22.53	17-4 PH Stainless Steel: L-Handle - Industrial - Stainless Steel Part Number: BLP-191-0635-LI-S17
19.05	63.50	19.81	22.53	17-4 PH Stainless Steel: T-Handle - Stainless Steel - Heavy Duty Part Number: BLP-191-0635-THD-S17
19.05	63.50	21.74	23.80	Carbon Steel: Shoulder Type - T Handle Part Number: BLP-191-0635-TSH-C
19.05	63.50	23.80	21.74	Carbon Steel: Keyring Style - Steel Part Number: BLP-191-0635-K1-C
19.05	63.50	23.80	21.74	303 Stainless Steel: Keyring Style - 303/304 Stainless Steel Part Number: BLP-191-0635-K1-S3
19.05 x 76.00 mm (0.75 x 2.99 in.)				
19.05	76.00	17.01	22.52	Carbon Steel: Button Handle - Steel Part Number: BLP-191-0760-BT-C
19.05 x 76.20 mm (0.75 x 3.00 in.)				
19.05	76.20	19.81	22.53	304 Stainless Steel: Marine Style - Half Ring Part Number: * BLP-191-0762-MHR-S4
19.05	76.20	19.81	22.53	304 Stainless Steel: Marine Style - Recessed Head Part Number: * BLP-191-0762-MRE-S4
19.05	76.20	17.01	22.52	17-4 PH Stainless Steel: T-Handle - Industrial - Stainless Steel Part Number: BLP-191-0762-TI-S17
19.05	76.20	17.01	22.52	Carbon steel with aluminium handle, stainless ball and ring.: L-Handle - Industrial - Steel Part Number: * BLP-191-0762-LI-C
19.05	76.20	17.01	22.52	Carbon Steel: Ring Handle - Industrial - Steel Part Number: * BLP-191-0762-RHI-C

Ball Lock Pins

Nominal Pin Dia. A (mm)	Grip Length (mm)	End Distance C (mm)	Open Ball Distance B (mm)	
19.05 x 76.20 mm (0.75 x 3.00 in.)				
19.05	76.20	17.01	22.52	Aluminium and Carbon Steel: T-Handle - Industrial - Steel and Aluminium Part Number: * BLP-191-0762-TI-AC
19.05	76.20	19.81	22.53	17-4 PH Stainless Stainless: T-Handle - Stainless Steel - Heavy Duty Part Number: BLP-191-0762-THD-S17
19.05	76.20	21.74	23.80	Carbon Steel: Shoulder Type - T Handle Part Number: BLP-191-0762-TSH-C
19.05	76.20	23.80	21.74	Carbon Steel: Keyring Style - Steel Part Number: BLP-191-0762-K1-C
19.05	76.20	23.80	21.74	303 Stainless Steel: Keyring Style - 303/304 Stainless Steel Part Number: BLP-191-0762-K1-S3
19.05 x 88.90 mm (0.75 x 3.50 in.)				
19.05	88.90	17.01	22.52	17-4 PH Stainless Stainless: T-Handle - Industrial - Stainless Steel Part Number: BLP-191-0889-TI-S17
19.05	88.90	17.01	22.52	Carbon steel with aluminium handle, stainless ball and ring.: L-Handle - Industrial - Steel Part Number: * BLP-191-0889-LI-C
19.05	88.90	17.01	22.52	Carbon Steel: Ring Handle - Industrial - Steel Part Number: * BLP-191-0889-RHI-C
19.05	88.90	17.01	22.52	17-4 PH Stainless Stainless: Button Handle - Stainless Steel Part Number: * BLP-191-0889-BT-S17
19.05	88.90	17.01	22.52	Aluminium and Carbon Steel: T-Handle - Industrial - Steel and Aluminium Part Number: * BLP-191-0889-TI-AC
19.05	88.90	21.74	23.80	Carbon Steel: Shoulder Type - Ring Handle Part Number: BLP-191-0889-RSH-C
19.05	88.90	21.74	23.80	Carbon Steel: Shoulder Type - T Handle Part Number: BLP-191-0889-TSH-C
19.05	88.90	23.80	21.74	Carbon Steel: Keyring Style - Steel Part Number: BLP-191-0889-K1-C
19.05	88.90	23.80	21.74	303 Stainless Steel: Keyring Style - 303/304 Stainless Steel Part Number: BLP-191-0889-K1-S3
19.05 x 101.60 mm (0.75 x 4.00 in.)				
19.05	101.60	17.01	22.52	17-4 PH Stainless Stainless: T-Handle - Industrial - Stainless Steel Part Number: BLP-191-1016-TI-S17
19.05	101.60	17.01	22.52	Carbon Steel: Button Handle - Steel Part Number: * BLP-191-1016-BT-C
19.05	101.60	17.01	22.52	Carbon steel with aluminium handle, stainless ball and ring.: L-Handle - Industrial - Steel Part Number: * BLP-191-1016-LI-C
19.05	101.60	17.01	22.52	17-4 PH Stainless Stainless: Button Handle - Stainless Steel Part Number: BLP-191-1016-BT-S17
19.05	101.60	17.01	22.52	Aluminium and Carbon Steel: T-Handle - Industrial - Steel and Aluminium Part Number: * BLP-191-1016-TI-AC
19.05	101.60	19.81	22.53	17-4 PH Stainless Stainless: T-Handle - Stainless Steel - Heavy Duty Part Number: BLP-191-1016-THD-S17
19.05	101.60	21.74	23.80	Carbon Steel: Shoulder Type - Ring Handle Part Number: BLP-191-1016-RSH-C
19.05	101.60	21.74	23.80	Carbon Steel: Shoulder Type - T Handle Part Number: BLP-191-1016-TSH-C
19.05	101.60	23.80	21.74	Carbon Steel: Keyring Style - Steel Part Number: BLP-191-1016-K1-C
19.05 x 114.30 mm (0.75 x 4.50 in.)				
19.05	114.30	17.01	22.52	Carbon steel with aluminium handle, stainless ball and ring.: L-Handle - Industrial - Steel Part Number: * BLP-191-1143-LI-C
19.05	114.30	17.01	22.52	Aluminium and Carbon Steel: T-Handle - Industrial - Steel and Aluminium Part Number: * BLP-191-1143-TI-AC
19.05	114.30	19.81	22.53	17-4 PH Stainless Stainless: T-Handle - Stainless Steel - Heavy Duty Part Number: BLP-191-1143-THD-S17
19.05	114.30	23.80	21.74	Carbon Steel: Keyring Style - Steel Part Number: BLP-191-1143-K1-C
19.05	114.30	23.80	21.74	303 Stainless Steel: Keyring Style - 303/304 Stainless Steel Part Number: BLP-191-1143-K1-S3

Stocked or Short Delivery (up to 4 weeks)
 Usually 4-6 week delivery
 Long delivery or not in current production

* Large Minimum Quantities

** Available only while stock lasts

Ball Lock Pins

Nominal Pin Dia. A (mm)	Grip Length (mm)	End Distance C (mm)	Open Ball Distance B (mm)	
19.05 x 127.00 mm (0.75 x 5.00 in.)				
19.05	127.00	17.01	22.52	17-4 PH Stainless Steel: T-Handle - Industrial - Stainless Steel Part Number: BLP-191-1270-TI-S17
19.05	127.00	17.01	22.52	Carbon Steel: Button Handle - Steel Part Number: * BLP-191-1270-BT-C
19.05	127.00	17.01	22.52	17-4 PH Stainless Steel: Button Handle - Stainless Steel Part Number: BLP-191-1270-BT-S17
19.05	127.00	17.01	22.52	Aluminium and Carbon Steel: T-Handle - Industrial - Steel and Aluminium Part Number: * BLP-191-1270-TI-AC
19.05	127.00	19.81	22.53	17-4 PH Stainless Steel: T-Handle - Stainless Steel - Heavy Duty Part Number: BLP-191-1270-THD-S17
19.05	127.00	21.74	23.80	Carbon Steel: Shoulder Type - Ring Handle Part Number: BLP-191-1270-RSH-C
19.05	127.00	21.74	23.80	Carbon Steel: Shoulder Type - T Handle Part Number: BLP-191-1270-TSH-C
19.05	127.00	23.80	21.74	Carbon Steel: Keyring Style - Steel Part Number: BLP-191-1270-K1-C
19.05	127.00	23.80	21.74	303 Stainless Steel: Keyring Style - 303/304 Stainless Steel Part Number: BLP-191-1270-K1-S3
19.05 x 139.70 mm (0.75 x 5.50 in.)				
19.05	139.70	17.01	22.52	17-4 PH Stainless Steel: T-Handle - Industrial - Stainless Steel Part Number: * BLP-191-1397-TI-S17
19.05	139.70	17.01	22.52	Carbon steel with aluminium handle, stainless ball and ring.: L-Handle - Industrial - Steel Part Number: * BLP-191-1397-LI-C
19.05	139.70	17.01	22.52	Aluminium and Carbon Steel: T-Handle - Industrial - Steel and Aluminium Part Number: * BLP-191-1397-TI-AC
19.05 x 152.40 mm (0.75 x 6.00 in.)				
19.05	152.40	17.01	22.52	17-4 PH Stainless Steel: T-Handle - Industrial - Stainless Steel Part Number: BLP-191-1524-TI-S17
19.05	152.40	17.01	22.52	Carbon Steel: Ring Handle - Industrial - Steel Part Number: * BLP-191-1524-RHI-C
19.05	152.40	17.01	22.52	Aluminium and Carbon Steel: T-Handle - Industrial - Steel and Aluminium Part Number: * BLP-191-1524-TI-AC
19.05	152.40	23.80	21.74	Carbon Steel: Keyring Style - Steel Part Number: BLP-191-1524-K1-C
19.05 x 165.10 mm (0.75 x 6.50 in.)				
19.05	165.10	23.80	21.74	Carbon Steel: Keyring Style - Steel Part Number: BLP-191-1651-K1-C
19.05	165.10	23.80	21.74	303 Stainless Steel: Keyring Style - 303/304 Stainless Steel Part Number: BLP-191-1651-K1-S3
19.05 x 177.80 mm (0.75 x 7.00 in.)				
19.05	177.80	23.80	21.74	Carbon Steel: Keyring Style - Steel Part Number: BLP-191-1778-K1-C
19.05	177.80	23.80	21.74	303 Stainless Steel: Keyring Style - 303/304 Stainless Steel Part Number: BLP-191-1778-K1-S3
19.05 x 203.20 mm (0.75 x 8.00 in.)				
19.05	203.20	23.80	21.74	Carbon Steel: Keyring Style - Steel Part Number: BLP-191-2032-K1-C
20.00 x 25.00 mm (0.79 x 0.98 in.)				
20.00	25.00	17.00	24.08	Aluminium and 400 Grade Stainless: T-Handle - Industrial - Stainless Steel and Aluminium Part Number: BLP-200-0250-TI-S17
20.00 x 50.00 mm (0.79 x 1.97 in.)				
20.00	50.00	17.00	24.08	Aluminium and 400 Grade Stainless: T-Handle - Industrial - Stainless Steel and Aluminium Part Number: BLP-200-0500-TI-S17
20.00 x 75.00 mm (0.79 x 2.95 in.)				
20.00	75.00	17.00	24.08	Aluminium and 400 Grade Stainless: T-Handle - Industrial - Stainless Steel and Aluminium Part Number: * BLP-200-0750-TI-S17

Stocked or Short Delivery (up to 4 weeks)
 Usually 4-6 week delivery
 Long delivery or not in current production

* Large Minimum Quantities

** Available only while stock lasts

Ball Lock Pins

Nominal Pin Dia. A (mm)	Grip Length (mm)	End Distance C (mm)	Open Ball Distance B (mm)	
20.00 x 100.00 mm (0.79 x 3.94 in.)				
20.00	100.00	17.00	24.08	Aluminium and 400 Grade Stainless: T-Handle - Industrial - Stainless Steel and Aluminium Part Number: BLP-200-1000-TI-S17
22.23 x 76.20 mm (0.88 x 3.00 in.)				
22.23	76.20	19.30	26.56	Carbon steel with aluminium handle, stainless ball and ring.: L-Handle - Industrial - Steel Part Number: * BLP-222-0762-LI-C
22.23	76.20	19.30	26.56	Carbon Steel: Ring Handle - Industrial - Steel Part Number: * BLP-222-0762-RHI-C
22.23	76.20	19.30	26.56	Aluminium and Carbon Steel: T-Handle - Industrial - Steel and Aluminium Part Number: * BLP-222-0762-TI-AC
22.23 x 101.60 mm (0.88 x 4.00 in.)				
22.23	101.60	19.30	26.56	Carbon steel with aluminium handle, stainless ball and ring.: L-Handle - Industrial - Steel Part Number: * BLP-222-1016-LI-C
22.23	101.60	19.30	26.56	Carbon Steel: Ring Handle - Industrial - Steel Part Number: * BLP-222-1016-RHI-C
22.23 x 152.40 mm (0.88 x 6.00 in.)				
22.23	152.40	19.30	26.56	Carbon steel with aluminium handle, stainless ball and ring.: L-Handle - Industrial - Steel Part Number: * BLP-222-1524-LI-C
22.23	152.40	19.30	26.56	Aluminium and Carbon Steel: T-Handle - Industrial - Steel and Aluminium Part Number: * BLP-222-1524-TI-AC
25.40 x 50.80 mm (1.00 x 2.00 in.)				
25.40	50.80	22.60	30.96	17-4 PH Stainless Stainless: T-Handle - Industrial - Stainless Steel Part Number: BLP-254-0508-TI-S17
25.40	50.80	22.60	30.96	Carbon Steel: Ring Handle - Industrial - Steel Part Number: * BLP-254-0508-RHI-C
25.40	50.80	22.60	30.96	17-4 PH Stainless Stainless: Button Handle - Stainless Steel Part Number: BLP-254-0508-BT-S17
25.40	50.80	22.60	30.96	Aluminium and Carbon Steel: T-Handle - Industrial - Steel and Aluminium Part Number: * BLP-254-0508-TI-AC
25.40	50.80	25.40	30.91	17-4 PH Stainless Stainless: T-Handle - Stainless Steel - Heavy Duty Part Number: BLP-254-0508-THD-S17
25.40	50.80	31.75	28.96	Carbon Steel: Keyring Style - Steel Part Number: BLP-254-0508-K1-C
25.40	50.80	31.75	28.96	303 Stainless Steel: Keyring Style - 303/304 Stainless Steel Part Number: BLP-254-0508-K1-S3
25.40 x 63.50 mm (1.00 x 2.50 in.)				
25.40	63.50	22.60	30.96	17-4 PH Stainless Stainless: T-Handle - Industrial - Stainless Steel Part Number: BLP-254-0635-TI-S17
25.40	63.50	22.60	30.96	Carbon steel with aluminium handle, stainless ball and ring.: L-Handle - Industrial - Steel Part Number: * BLP-254-0635-LI-C
25.40	63.50	22.60	30.96	17-4 PH Stainless Stainless: Button Handle - Stainless Steel Part Number: BLP-254-0635-BT-S17
25.40	63.50	22.60	30.96	17-4 PH Stainless Stainless: L-Handle - Industrial - Stainless Steel Part Number: BLP-254-0635-LI-S17
25.40	63.50	22.60	30.96	Aluminium and Carbon Steel: T-Handle - Industrial - Steel and Aluminium Part Number: * BLP-254-0635-TI-AC
25.40	63.50	28.96	31.75	Carbon Steel: Shoulder Type - Ring Handle Part Number: BLP-254-0635-RSH-C
25.40	63.50	31.75	28.96	Carbon Steel: Keyring Style - Steel Part Number: BLP-254-0635-K1-C
25.40 x 76.20 mm (1.00 x 3.00 in.)				
25.40	76.20	22.60	30.96	17-4 PH Stainless Stainless: T-Handle - Industrial - Stainless Steel Part Number: BLP-254-0762-TI-S17
25.40	76.20	22.60	30.96	17-4 PH Stainless Stainless: Button Handle - Stainless Steel Part Number: BLP-254-0762-BT-S17
25.40	76.20	22.60	30.96	Aluminium and Carbon Steel: T-Handle - Industrial - Steel and Aluminium Part Number: * BLP-254-0762-TI-AC
25.40	76.20	25.40	30.91	17-4 PH Stainless Stainless: T-Handle - Stainless Steel - Heavy Duty Part Number: BLP-254-0762-THD-S17

Stocked or Short Delivery (up to 4 weeks)
 Usually 4-6 week delivery
 Long delivery or not in current production

* Large Minimum Quantities

** Available only while stock lasts

Page 50 of 55

EOE

Ball Lock Pins

Nominal Pin Dia. A (mm)	Grip Length (mm)	End Distance C (mm)	Open Ball Distance B (mm)	
25.40 x 76.20 mm (1.00 x 3.00 in.)				
25.40	76.20	28.96	31.75	Carbon Steel: Shoulder Type - Ring Handle Part Number: BLP-254-0762-RSH-C
25.40	76.20	28.96	31.75	Carbon Steel: Shoulder Type - T Handle Part Number: BLP-254-0762-TSH-C
25.40	76.20	31.75	28.96	Carbon Steel: Keyring Style - Steel Part Number: BLP-254-0762-K1-C
25.40	76.20	31.75	28.96	303 Stainless Steel: Keyring Style - 303/304 Stainless Steel Part Number: BLP-254-0762-K1-S3
25.40 x 88.90 mm (1.00 x 3.50 in.)				
25.40	88.90	22.60	30.96	Carbon steel with aluminium handle, stainless ball and ring.: L-Handle - Industrial - Steel Part Number: * BLP-254-0889-LI-C
25.40	88.90	22.60	30.96	Aluminium and Carbon Steel: T-Handle - Industrial - Steel and Aluminium Part Number: * BLP-254-0889-TI-AC
25.40	88.90	31.75	28.96	Carbon Steel: Keyring Style - Steel Part Number: BLP-254-0889-K1-C
25.40	88.90	31.75	28.96	303 Stainless Steel: Keyring Style - 303/304 Stainless Steel Part Number: BLP-254-0889-K1-S3
25.40 x 101.60 mm (1.00 x 4.00 in.)				
25.40	101.60	22.60	30.96	17-4 PH Stainless Steel: T-Handle - Industrial - Stainless Steel Part Number: BLP-254-1016-TI-S17
25.40	101.60	22.60	30.96	Carbon steel with aluminium handle, stainless ball and ring.: L-Handle - Industrial - Steel Part Number: * BLP-254-1016-LI-C
25.40	101.60	22.60	30.96	Carbon Steel: Ring Handle - Industrial - Steel Part Number: * BLP-254-1016-RHI-C
25.40	101.60	22.60	30.96	Aluminium and Carbon Steel: T-Handle - Industrial - Steel and Aluminium Part Number: * BLP-254-1016-TI-AC
25.40	101.60	25.40	30.91	17-4 PH Stainless Steel: T-Handle - Stainless Steel - Heavy Duty Part Number: BLP-254-1016-THD-S17
25.40	101.60	28.96	31.75	Carbon Steel: Shoulder Type - T Handle Part Number: BLP-254-1016-TSH-C
25.40	101.60	28.96	31.75	Carbon Steel: Shoulder Type - Ring Handle Part Number: BLP-254-1016-RSH-C
25.40	101.60	31.75	28.96	Carbon Steel: Keyring Style - Steel Part Number: BLP-254-1016-K1-C
25.40	101.60	31.75	28.96	303 Stainless Steel: Keyring Style - 303/304 Stainless Steel Part Number: BLP-254-1016-K1-S3
25.40 x 114.30 mm (1.00 x 4.50 in.)				
25.40	114.30	22.60	30.96	Carbon steel with aluminium handle, stainless ball and ring.: L-Handle - Industrial - Steel Part Number: BLP-254-1143-LI-C
25.40	114.30	22.60	30.96	Aluminium and Carbon Steel: T-Handle - Industrial - Steel and Aluminium Part Number: * BLP-254-1143-TI-AC
25.40	114.30	31.75	28.96	Carbon Steel: Keyring Style - Steel Part Number: BLP-254-1143-K1-C
25.40 x 127.00 mm (1.00 x 5.00 in.)				
25.40	127.00	22.60	30.96	17-4 PH Stainless Steel: T-Handle - Industrial - Stainless Steel Part Number: * BLP-254-1270-TI-S17
25.40	127.00	22.60	30.96	17-4 PH Stainless Steel: Button Handle - Stainless Steel Part Number: BLP-254-1270-BT-S17
25.40	127.00	22.60	30.96	Aluminium and Carbon Steel: T-Handle - Industrial - Steel and Aluminium Part Number: * BLP-254-1270-TI-AC
25.40	127.00	25.40	30.91	17-4 PH Stainless Steel: T-Handle - Stainless Steel - Heavy Duty Part Number: BLP-254-1270-THD-S17
25.40	127.00	28.96	31.75	Carbon Steel: Shoulder Type - T Handle Part Number: BLP-254-1270-TSH-C
25.40	127.00	31.75	28.96	Carbon Steel: Keyring Style - Steel Part Number: BLP-254-1270-K1-C
25.40 x 139.70 mm (1.00 x 5.50 in.)				
25.40	139.70	22.60	30.96	17-4 PH Stainless Steel: T-Handle - Industrial - Stainless Steel Part Number: * BLP-254-1397-TI-S17

Stocked or Short Delivery (up to 4 weeks)
 Usually 4-6 week delivery
 Long delivery or not in current production

* Large Minimum Quantities

** Available only while stock lasts

Ball Lock Pins

Nominal Pin Dia. A (mm)	Grip Length (mm)	End Distance C (mm)	Open Ball Distance B (mm)	
25.40 x 139.70 mm (1.00 x 5.50 in.)				
25.40	139.70	22.60	30.96	Carbon steel with aluminium handle, stainless ball and ring.: L-Handle - Industrial - Steel Part Number: * BLP-254-1397-LI-C
25.40	139.70	31.75	28.96	Carbon Steel: Keyring Style - Steel Part Number: BLP-254-1397-K1-C
25.40 x 152.40 mm (1.00 x 6.00 in.)				
25.40	152.40	22.60	30.96	17-4 PH Stainless Stainless: T-Handle - Industrial - Stainless Steel Part Number: * BLP-254-1524-TI-S17
25.40	152.40	22.60	30.96	Carbon Steel: Ring Handle - Industrial - Steel Part Number: BLP-254-1524-RHI-C
25.40	152.40	22.60	30.96	17-4 PH Stainless Stainless: Button Handle - Stainless Steel Part Number: BLP-254-1524-BT-S17
25.40	152.40	22.60	30.96	Aluminium and Carbon Steel: T-Handle - Industrial - Steel and Aluminium Part Number: * BLP-254-1524-TI-AC
25.40	152.40	25.40	30.91	17-4 PH Stainless Stainless: T-Handle - Stainless Steel - Heavy Duty Part Number: BLP-254-1524-THD-S17
25.40	152.40	28.96	31.75	Carbon Steel: Shoulder Type - T Handle Part Number: BLP-254-1524-TSH-C
25.40 x 177.80 mm (1.00 x 7.00 in.)				
25.40	177.80	22.60	30.96	Carbon steel with aluminium handle, stainless ball and ring.: L-Handle - Industrial - Steel Part Number: * BLP-254-1778-LI-C
25.40	177.80	22.60	30.96	17-4 PH Stainless Stainless: T-Handle - Industrial - Stainless Steel Part Number: * BLP-254-1778-TI-S17
25.40	177.80	31.75	28.96	Carbon Steel: Keyring Style - Steel Part Number: BLP-254-1778-K1-C
25.40 x 203.20 mm (1.00 x 8.00 in.)				
25.40	203.20	31.75	28.96	Carbon Steel: Keyring Style - Steel Part Number: BLP-254-2032-K1-C
25.40	203.20	31.75	28.96	303 Stainless Steel: Keyring Style - 303/304 Stainless Steel Part Number: BLP-254-2032-K1-S3

Stocked or Short Delivery (up to 4 weeks)
 Usually 4-6 week delivery
 Long delivery or not in current production

* Large Minimum Quantities

** Available only while stock lasts

Receptacles

Suits Pin Dia. (mm)	Style	Tube Dia. (mm)	Flange Thickness (mm)	
6.35 mm (0.25 inch.)				
6.35	A	9.53	1.52	Part Number: BLP-064-A-REC-S3
6.35	B	9.53	1.52	Part Number: BLP-064-B-REC-S3
6.35	C	9.53	1.52	Part Number: BLP-064-C-REC-S3
6.35	D	9.53	1.52	Part Number: BLP-064-D-REC-S3
7.94 mm (0.31 inch.)				
7.94	A	11.91	1.52	Part Number: BLP-079-A-REC-S3
7.94	B	11.91	1.52	Part Number: BLP-079-B-REC-S3
7.94	C	11.91	1.52	Part Number: BLP-079-C-REC-S3
7.94	D	11.91	1.52	Part Number: BLP-079-D-REC-S3
9.53 mm (0.38 inch.)				
9.53	A	14.28	1.52	Part Number: BLP-095-A-REC-S3
9.53	B	14.28	1.52	Part Number: BLP-095-B-REC-S3
9.53	C	14.28	1.52	Part Number: BLP-095-C-REC-S3
9.53	D	14.28	1.52	Part Number: BLP-095-D-REC-S3
12.70 mm (0.50 inch.)				
12.70	A	19.05	2.54	Part Number: BLP-127-A-REC-S3
12.70	C	19.05	2.54	Part Number: BLP-127-C-REC-S3
12.70	D	19.05	2.54	Part Number: * BLP-127-D-REC-S3

Tips

- Stainless steel models use a variety of stainless steel types in their construction. The pin material listed is for the main pin shank only. Stainless buttons, handles and springs are usually 300 grade stainless whilst the balls are usually 440C grade stainless.
- 17-4 PH Stainless Pins are heat treated to Rockwell C 40 Minimum.
- Button handle type pins require the button to be depressed before the balls retract into the shank allowing the pin to be removed.
- Non button type are removed by applying sufficient pull force.



Distributed By

Miniature Bearings Australia
<http://www.minibearings.com.au>
sales@minibearings.com.au

Resellers: Please place your contact sticker over our details

Avoid verbal communication

We sell an extensive range of products with varying amounts of technical data. Please assist us to provide you with accurate information by placing your orders and enquiries online or by e-mail.

Ball Lock Pins