



Knobs - Four Lobe - Standard - Male

6/4/2018

Indicates item not stocked at time of printing - Please enquire for lead time

E&OE Pricing and all details subject to change without notice - Copyright Miniature Bearings Australia Pty Ltd

MBA Size Listings are a guide to sizes only and must not be solely relied on for critical design information.

Page 1 of 8

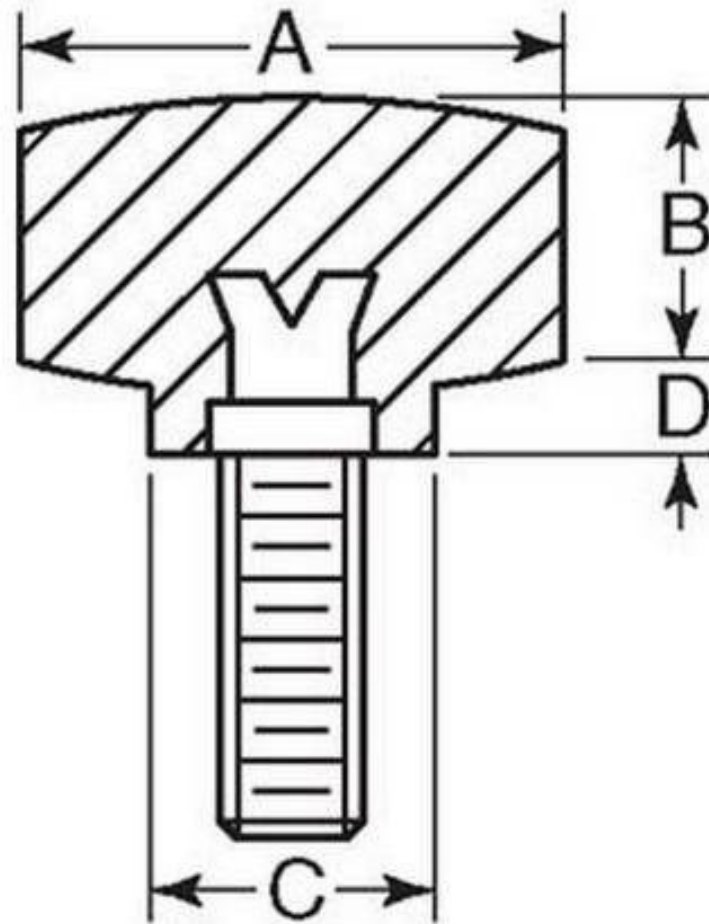
INFORMATION

Also see star knobs

Indicates item not stocked at time of printing - Please enquire for lead time

E&OE Pricing and all details subject to change without notice - Copyright Miniature Bearings Australia Pty Ltd

MBA Size Listings are a guide to sizes only and must not be solely relied on for critical design information.



Indicates item not stocked at time of printing - Please enquire for lead time

E&OE Pricing and all details subject to change without notice - Copyright Miniature Bearings Australia Pty Ltd

MBA Size Listings are a guide to sizes only and must not be solely relied on for critical design information.

Knobs - Four Lobe - Standard - Male

| Part Number | Thread Size | Diameter (A) mm | Thread Length mm | Hub Diameter (E) mm | Hub Length (C) mm | Knob Height (D) mm | Knob Material | Stud Material |
|-------------------|------------------------|-----------------|------------------|---------------------|-------------------|--------------------|---------------------|---------------|
| | | <i>inches</i> | <i>inches</i> | <i>inches</i> | <i>inches</i> | <i>inches</i> | | |
| # KM048C-020-4L19 | 10-24 UNC (4.762mm) | 20.07 | 19.05 | 9.91 | 7.11 | 13.97 | Black Phenolic | Plated Steel |
| | | <i>0.790</i> | <i>0.750</i> | <i>0.390</i> | <i>0.280</i> | <i>0.550</i> | | |
| # KM064C-020-4L13 | 1/4-20 UNC (6.35mm) | 20.07 | 12.95 | 10.92 | 5.08 | 12.95 | Black Thermoplastic | Plated Steel |
| | | <i>0.790</i> | <i>0.510</i> | <i>0.430</i> | <i>0.200</i> | <i>0.510</i> | | |
| # KM064C-020-4L25 | 1/4-20 UNC (6.35mm) | 20.07 | 24.89 | 10.92 | 5.08 | 12.95 | Black Thermoplastic | Plated Steel |
| | | <i>0.790</i> | <i>0.980</i> | <i>0.430</i> | <i>0.200</i> | <i>0.510</i> | | |
| # KM064C-025-4L13 | 1/4-20 UNC (6.35mm) | 24.89 | 12.95 | 11.94 | 6.10 | 14.99 | Black Thermoplastic | Plated Steel |
| | | <i>0.980</i> | <i>0.510</i> | <i>0.470</i> | <i>0.240</i> | <i>0.590</i> | | |
| # KM064C-025-4L19 | 1/4-20 UNC (6.35mm) | 24.89 | 19.05 | 16.00 | 4.06 | 19.05 | Black Phenolic | Plated Steel |
| | | <i>0.980</i> | <i>0.750</i> | <i>0.630</i> | <i>0.160</i> | <i>0.750</i> | | |
| # KM064C-025-4L25 | 1/4-20 UNC (6.35mm) | 24.89 | 24.89 | 11.94 | 6.10 | 14.99 | Black Thermoplastic | Plated Steel |
| | | <i>0.980</i> | <i>0.980</i> | <i>0.470</i> | <i>0.240</i> | <i>0.590</i> | | |
| # KM064C-030-4L13 | 1/4-20 UNC (6.35mm) | 29.97 | 12.95 | 14.99 | 7.87 | 22.10 | Black Thermoplastic | Plated Steel |
| | | <i>1.180</i> | <i>0.510</i> | <i>0.590</i> | <i>0.310</i> | <i>0.870</i> | | |
| # KM064C-030-4L25 | 1/4-20 UNC (6.35mm) | 29.97 | 24.89 | 14.99 | 7.87 | 22.10 | Black Thermoplastic | Plated Steel |
| | | <i>1.180</i> | <i>0.980</i> | <i>0.590</i> | <i>0.310</i> | <i>0.870</i> | | |

Indicates item not stocked at time of printing - Please enquire for lead time

Page 4 of 8

E&OE Pricing and all details subject to change without notice - Copyright Miniature Bearings Australia Pty Ltd

MBA Size Listings are a guide to sizes only and must not be solely relied on for critical design information.

Knobs - Four Lobe - Standard - Male

| Part Number | Thread Size | Diameter (A) mm | Thread Length mm | Hub Diameter (E) mm | Hub Length (C) mm | Knob Height (D) mm | Knob Material | Stud Material |
|--------------------|--------------------------|-----------------|------------------|---------------------|-------------------|--------------------|------------------------|---------------|
| | | <i>inches</i> | <i>inches</i> | <i>inches</i> | <i>inches</i> | <i>inches</i> | | |
| # KM064C-032-4L19 | 1/4-20 UNC (6.35mm) | 32.00 | 19.05 | 18.03 | 4.06 | 22.10 | Black Phenolic | Plated Steel |
| | | <i>1.260</i> | <i>0.750</i> | <i>0.710</i> | <i>0.160</i> | <i>0.870</i> | | |
| # KM064C-032-4L25B | 1/4-20 UNC (6.35mm) | 32.00 | 25.40 | 18.03 | 4.06 | 22.10 | Black Phenolic | Plated Steel |
| | | <i>1.260</i> | <i>1.000</i> | <i>0.710</i> | <i>0.160</i> | <i>0.870</i> | | |
| KM064C-032-4L25A | 1/4-20 UNC (6.35mm) | 32.00 | 25.40 | 13.97 | 8.89 | 20.07 | Black Phenolic | Plated Steel |
| | | <i>1.260</i> | <i>1.000</i> | <i>0.550</i> | <i>0.350</i> | <i>0.790</i> | | |
| # KM064C-032-4L32 | 1/4-20 UNC (6.35mm) | 32.00 | 31.75 | 18.03 | 4.06 | 22.10 | Black Phenolic | Plated Steel |
| | | <i>1.260</i> | <i>1.250</i> | <i>0.710</i> | <i>0.160</i> | <i>0.870</i> | | |
| # KM064C-040-4L25 | 1/4-20 UNC (6.35mm) | 39.88 | 24.89 | 16.00 | 8.89 | 27.94 | Black Thermoplastic | Plated Steel |
| | | <i>1.570</i> | <i>0.980</i> | <i>0.630</i> | <i>0.350</i> | <i>1.100</i> | | |
| # KM064C-040-4L32 | 1/4-20 UNC (6.35mm) | 39.88 | 31.75 | 18.03 | 14.22 | 25.91 | Black Phenolic | Plated Steel |
| | | <i>1.570</i> | <i>1.250</i> | <i>0.710</i> | <i>0.560</i> | <i>1.020</i> | | |
| # KM079C-040-4L25A | 5/16-18 UNC (7.938mm) | 39.88 | 24.89 | 16.00 | 8.89 | 27.94 | Black Thermoplastic | Plated Steel |
| | | <i>1.570</i> | <i>0.980</i> | <i>0.630</i> | <i>0.350</i> | <i>1.100</i> | | |
| # KM079C-040-4L25B | 5/16-18 UNC (7.938mm) | 39.88 | 25.40 | 21.08 | 5.59 | 26.92 | Black Phenolic | Plated Steel |
| | | <i>1.570</i> | <i>1.000</i> | <i>0.830</i> | <i>0.220</i> | <i>1.060</i> | | |

Indicates item not stocked at time of printing - Please enquire for lead time

Page 5 of 8

E&OE Pricing and all details subject to change without notice - Copyright Miniature Bearings Australia Pty Ltd

MBA Size Listings are a guide to sizes only and must not be solely relied on for critical design information.

Knobs - Four Lobe - Standard - Male

| Part Number | Thread Size | Diameter (A) mm | Thread Length mm | Hub Diameter (E) mm | Hub Length (C) mm | Knob Height (D) mm | Knob Material | Stud Material |
|--------------------|--------------------------|-----------------|------------------|---------------------|-------------------|--------------------|---------------------|---------------|
| | | <i>inches</i> | <i>inches</i> | <i>inches</i> | <i>inches</i> | <i>inches</i> | | |
| # KM079C-040-4L32 | 5/16-18 UNC (7.938mm) | 39.88 | 31.75 | 18.03 | 14.22 | 25.91 | Black Phenolic | Plated Steel |
| | | <i>1.570</i> | <i>1.250</i> | <i>0.710</i> | <i>0.560</i> | <i>1.020</i> | | |
| # KM079C-040-4L38 | 5/16-18 UNC (7.938mm) | 39.88 | 38.10 | 21.08 | 5.59 | 26.92 | Black Phenolic | Plated Steel |
| | | <i>1.570</i> | <i>1.500</i> | <i>0.830</i> | <i>0.220</i> | <i>1.060</i> | | |
| # KM079C-050-4L25 | 5/16-18 UNC (7.938mm) | 50.04 | 24.89 | 20.07 | 9.91 | 32.00 | Black Thermoplastic | Plated Steel |
| | | <i>1.970</i> | <i>0.980</i> | <i>0.790</i> | <i>0.390</i> | <i>1.260</i> | | |
| # KM079C-050-4L38 | 5/16-18 UNC (7.938mm) | 50.04 | 38.10 | 22.10 | 18.54 | 32.00 | Black Phenolic | Plated Steel |
| | | <i>1.970</i> | <i>1.500</i> | <i>0.870</i> | <i>0.730</i> | <i>1.260</i> | | |
| # KM095C-050-4L25 | 3/8-16 UNC (9.525mm) | 50.04 | 24.89 | 20.07 | 9.91 | 32.00 | Black Thermoplastic | Plated Steel |
| | | <i>1.970</i> | <i>0.980</i> | <i>0.790</i> | <i>0.390</i> | <i>1.260</i> | | |
| # KM095C-050-4L38A | 3/8-16 UNC (9.525mm) | 50.04 | 38.10 | 23.11 | 6.35 | 32.00 | Black Phenolic | Plated Steel |
| | | <i>1.970</i> | <i>1.500</i> | <i>0.910</i> | <i>0.250</i> | <i>1.260</i> | | |
| # KM095C-050-4L38B | 3/8-16 UNC (9.525mm) | 50.04 | 38.10 | 22.10 | 18.54 | 32.00 | Black Phenolic | Plated Steel |
| | | <i>1.970</i> | <i>1.500</i> | <i>0.870</i> | <i>0.730</i> | <i>1.260</i> | | |
| # KM095C-060-4L25 | 3/8-16 UNC (9.525mm) | 59.94 | 24.89 | 23.11 | 13.97 | 38.10 | Black Thermoplastic | Plated Steel |
| | | <i>2.360</i> | <i>0.980</i> | <i>0.910</i> | <i>0.550</i> | <i>1.500</i> | | |

Indicates item not stocked at time of printing - Please enquire for lead time

Page 6 of 8

E&OE Pricing and all details subject to change without notice - Copyright Miniature Bearings Australia Pty Ltd

MBA Size Listings are a guide to sizes only and must not be solely relied on for critical design information.

Knobs - Four Lobe - Standard - Male

| Part Number | Thread Size | Diameter (A) mm | Thread Length mm | Hub Diameter (E) mm | Hub Length (C) mm | Knob Height (D) mm | Knob Material | Stud Material |
|-------------------|-------------------------|-----------------|------------------|---------------------|-------------------|--------------------|---------------------|---------------|
| | | <i>inches</i> | <i>inches</i> | <i>inches</i> | <i>inches</i> | <i>inches</i> | | |
| # KM095C-063-4L44 | 3/8-16 UNC (9.525mm) | 62.99 | 44.45 | 25.91 | 21.34 | 38.10 | Black Phenolic | Plated Steel |
| | | <i>2.480</i> | <i>1.750</i> | <i>1.020</i> | <i>0.840</i> | <i>1.500</i> | | |
| # KM095C-080-4L25 | 3/8-16 UNC (9.525mm) | 80.01 | 24.89 | 30.99 | 18.03 | 40.89 | Black Thermoplastic | Plated Steel |
| | | <i>3.150</i> | <i>0.980</i> | <i>1.220</i> | <i>0.710</i> | <i>1.610</i> | | |
| # KM127C-050-4L38 | 1/2-13 UNC (12.7mm) | 50.04 | 38.10 | 23.11 | 6.35 | 32.00 | Black Phenolic | Plated Steel |
| | | <i>1.970</i> | <i>1.500</i> | <i>0.910</i> | <i>0.250</i> | <i>1.260</i> | | |
| # KM127C-050-4L51 | 1/2-13 UNC (12.7mm) | 50.04 | 50.80 | 23.11 | 6.35 | 32.00 | Black Phenolic | Plated Steel |
| | | <i>1.970</i> | <i>2.000</i> | <i>0.910</i> | <i>0.250</i> | <i>1.260</i> | | |
| # KM127C-060-4L25 | 1/2-13 UNC (12.7mm) | 59.94 | 24.89 | 23.11 | 13.97 | 38.10 | Black Thermoplastic | Plated Steel |
| | | <i>2.360</i> | <i>0.980</i> | <i>0.910</i> | <i>0.550</i> | <i>1.500</i> | | |
| # KM127C-063-4L44 | 1/2-13 UNC (12.7mm) | 62.99 | 44.45 | 25.91 | 21.34 | 38.10 | Black Phenolic | Plated Steel |
| | | <i>2.480</i> | <i>1.750</i> | <i>1.020</i> | <i>0.840</i> | <i>1.500</i> | | |
| # KM127C-080-4L30 | 1/2-13 UNC (12.7mm) | 80.01 | 29.97 | 30.99 | 18.03 | 40.89 | Black Thermoplastic | Plated Steel |
| | | <i>3.150</i> | <i>1.180</i> | <i>1.220</i> | <i>0.710</i> | <i>1.610</i> | | |
| # KM127C-080-4L35 | 1/2-13 UNC (12.7mm) | 80.01 | 35.05 | 30.99 | 18.03 | 40.89 | Black Thermoplastic | Plated Steel |
| | | <i>3.150</i> | <i>1.380</i> | <i>1.220</i> | <i>0.710</i> | <i>1.610</i> | | |

Indicates item not stocked at time of printing - Please enquire for lead time

Page 7 of 8

E&OE Pricing and all details subject to change without notice - Copyright Miniature Bearings Australia Pty Ltd

MBA Size Listings are a guide to sizes only and must not be solely relied on for critical design information.

Knobs - Four Lobe - Standard - Male

| Part Number | Thread Size | Diameter (A) mm | Thread Length mm | Hub Diameter (E) mm | Hub Length (C) mm | Knob Height (D) mm | Knob Material | Stud Material |
|-------------------|--------------------------|-----------------|------------------|---------------------|-------------------|--------------------|---------------------|---------------|
| | | <i>inches</i> | <i>inches</i> | <i>inches</i> | <i>inches</i> | <i>inches</i> | | |
| # KM127C-080-4L51 | 1/2-13 UNC (12.7mm) | 80.01 | 50.80 | 32.00 | 30.48 | 50.04 | Black Phenolic | Plated Steel |
| | | <i>3.150</i> | <i>2.000</i> | <i>1.260</i> | <i>1.200</i> | <i>1.970</i> | | |
| # KM159C-080-4L30 | 5/8-11 UNC (15.875mm) | 80.01 | 29.97 | 30.99 | 18.03 | 40.89 | Black Thermoplastic | Plated Steel |
| | | <i>3.150</i> | <i>1.180</i> | <i>1.220</i> | <i>0.710</i> | <i>1.610</i> | | |
| # KM159C-080-4L35 | 5/8-11 UNC (15.875mm) | 80.01 | 35.05 | 30.99 | 18.03 | 40.89 | Black Thermoplastic | Plated Steel |
| | | <i>3.150</i> | <i>1.380</i> | <i>1.220</i> | <i>0.710</i> | <i>1.610</i> | | |

Indicates item not stocked at time of printing - Please enquire for lead time

Page 8 of 8

E&OE Pricing and all details subject to change without notice - Copyright Miniature Bearings Australia Pty Ltd
MBA Size Listings are a guide to sizes only and must not be solely relied on for critical design information.

DISTRIBUTED BY

Distributed By:

