



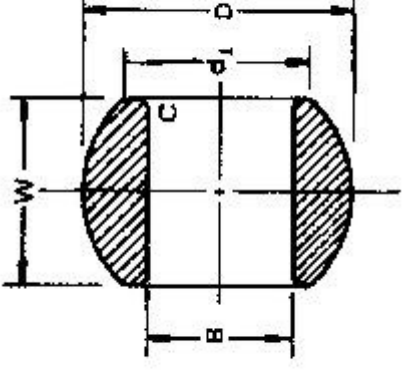
# MBA

## Balls - Bored - Steel

Bored steel balls as used in steel rod ends

Hardness: 58-64 Rc

Material: SUJ-2



This catalogue to be read in conjunction with information at <http://www.minibearings.com.au/ical/balls/>

### Balls - Bored - Steel

Part Number	Diameter (D) mm	Bore (B) mm	Width (W) mm	Flat Diameter (d1) mm	Chamfer (C) mm
# BLB-07.938x03.000-SUJ2	7.938	3.000	6.000	5.100	0.3X45
# BLB-09.525x04.000-SUJ2	9.525	4.000	7.000	7.400	0.3X45
# BLB-11.112x05.000-SUJ2	11.112	5.000	8.000	7.71	0.3X45
# BLB-12.700x06.000-SUJ2	12.700	6.000	9.000	8.96	0.3X45
# BLB-15.875x08.000-SUJ2	15.875	8.000	12.000	10.39	0.5X45
# BLB-19.050x10.000-SUJ2	19.050	10.000	14.000	12.92	0.5X45
# BLB-22.225x12.000-SUJ2	22.225	12.000	16.000	15.43	0.8X45
# BLB-25.400x14.000-SUJ2	25.400	14.000	19.000	16.86	0.8X45
# BLB-28.575x16.000-SUJ2	28.575	16.000	21.000	19.39	0.8X45

**E&OE Pricing and all details subject to change without notice - Copyright Miniature Bearings Australia Pty Ltd**  
**MBA Size Listings are a guide to sizes only and must not be solely relied on for critical design information.**

## Balls - Bored - Steel

Part Number	Diameter (D) mm	Bore (B) mm	Width (W) mm	Flat Diameter (d1) mm	Chamfer (C) mm
# BLB-31.750x18.000-SUJ2	31.750	18.000	23.000	21.89	0.8X45
# BLB-34.925x20.000-SUJ2	34.925	20.000	25.000	24.38	0.8X45
# BLB-38.100x22.000-SUJ2	38.100	22.000	28.000	25.84	0.8X45
# BLB-42.863x25.000-SUJ2	42.863	25.000	31.000	29.600	0.8X45
# BLB-50.800x30.000-SUJ2	50.800	30.000	37.000	34.810	0.8X45

E&OE Pricing and all details subject to change without notice - Copyright Miniature Bearings Australia Pty Ltd  
MBA Size Listings are a guide to sizes only and must not be solely relied on for critical design information.

**MBA** **MINIAMNURD**  
**BEARINGS**  
 Australia Pty Ltd



ABN 94 069 113 800

DISTRIBUTED BY

Ask us to put your name and address here

<http://www.minibearings.com.au/product>  
 Ph +61 7 3349 1224  
 Fax +61 7 3349 3801

Catalogue requests to [catalogues@minibearings.com.au](mailto:catalogues@minibearings.com.au)

