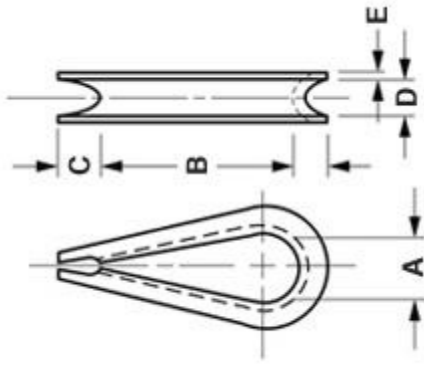




MBA Attachments - Thimbles



Thimbles provide loop support at higher loads and protect cables from wear when motion is present. Some thimbles may have open or uneven ends.

This catalogue to be read in conjunction with information at <http://www.minibearings.com.au/ogue/tech/synchromesh/synchromesh.pdf>

Attachments - Thimbles

Part Number	A Dimension mm	B Dimension mm	C Dimension mm	D Dimension mm	E Dimension mm	F Dimension mm	Material	Suits Synchromesh Cable	Suits Miniature Cable
TH-01.50	4.775	6.350	3.175	2.381	0.381	1.191	Stainless Steel	SM-CBL- 01.50x03.05	
TH-02.06	8.611	17.066	4.762	3.175	0.813	1.984	Stainless Steel	SM-CBL- 02.06x03.81	
TH-03.40	8.611	17.859	5.556	3.572	0.813	1.984	Stainless Steel	SM-CBL- 02.59x05.08 and SM-CBL- 03.40x06.35	

**E&OE Pricing and all details subject to change without notice - Copyright Miniature Bearings Australia Pty Ltd
MBA Size Listings are a guide to sizes only and must not be solely relied on for critical design information.**

