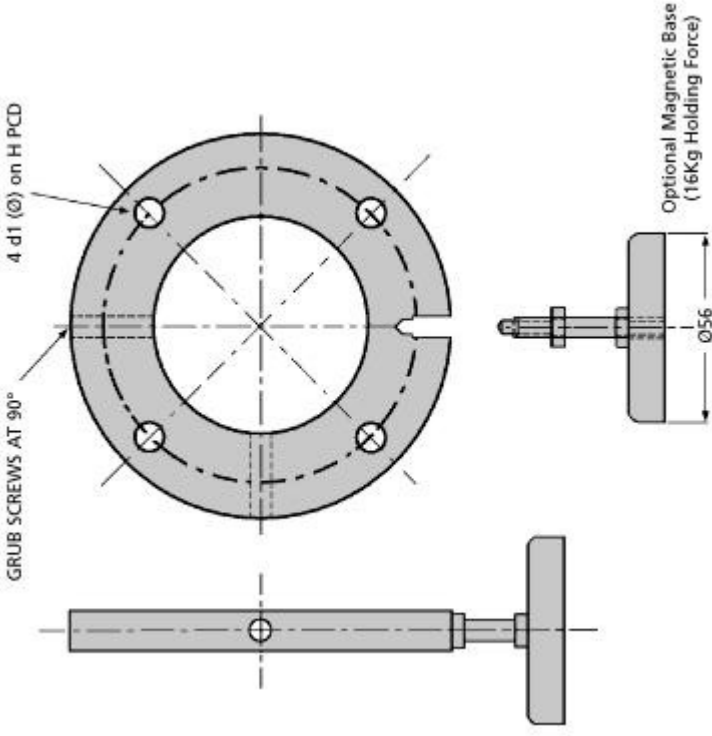


MBA

Airmovers - Mounting Rings

Airmovers amplify air flow from a small supply of compressed air. Terrific for fume or smoke extraction or to move large volumes of light weight materials.

Stainless Steel 304



This catalogue to be read in conjunction with information at http://www.minibearings.com.au/ogue/tech/airmovers/airmovers_tech.pdf

Airmovers - Mounting Rings

Part Number	Inner Diameter mm	PCD mm	Suits Sizes	Screw Hole Diameter (d1) mm
# MR10SS	31.0	54	10A	6.5
# MR20SS	39.0	65	20A	6.5
# MRCG4SS	45.5	65	-	6.5
# MR35SS	59.0	90	35A	8.5
# MR40SS	64.5	94	40A	8.5
# MR60SS	91.0	135	60A	8.5

E&OE Pricing and all details subject to change without notice - Copyright Miniature Bearings Australia Pty Ltd
MBA Size Listings are a guide to sizes only and must not be solely relied on for critical design information.

Airmovers - Mounting Rings

Part Number	Inner Diameter mm	PCD mm	Suits Sizes	Screw Hole Diameter (d1) mm
# MR75SS	113.0	155	75A	8.5
# MR125SS	187.0	225	125A	10.5

E&OE Pricing and all details subject to change without notice - Copyright Miniature Bearings Australia Pty Ltd
MBA Size Listings are a guide to sizes only and must not be solely relied on for critical design information.

MBA **MINIAMNURD**
BEARINGS
 Australia Pty Ltd



ABN 94 069 113 800

DISTRIBUTED BY

Ask us to put your name and address here

<http://www.minibearings.com.au/product>
 Ph +61 7 3349 1224
 Fax +61 7 3349 3801

Catalogue requests to catalogues@minibearings.com.au

