

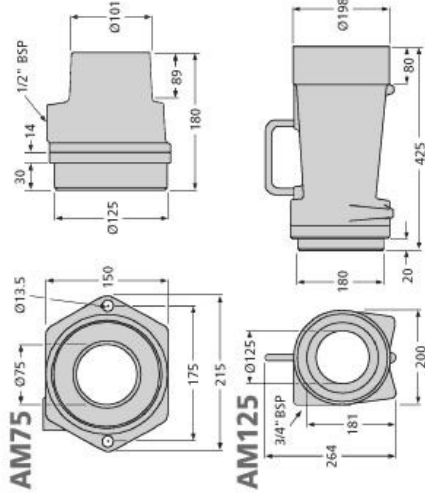
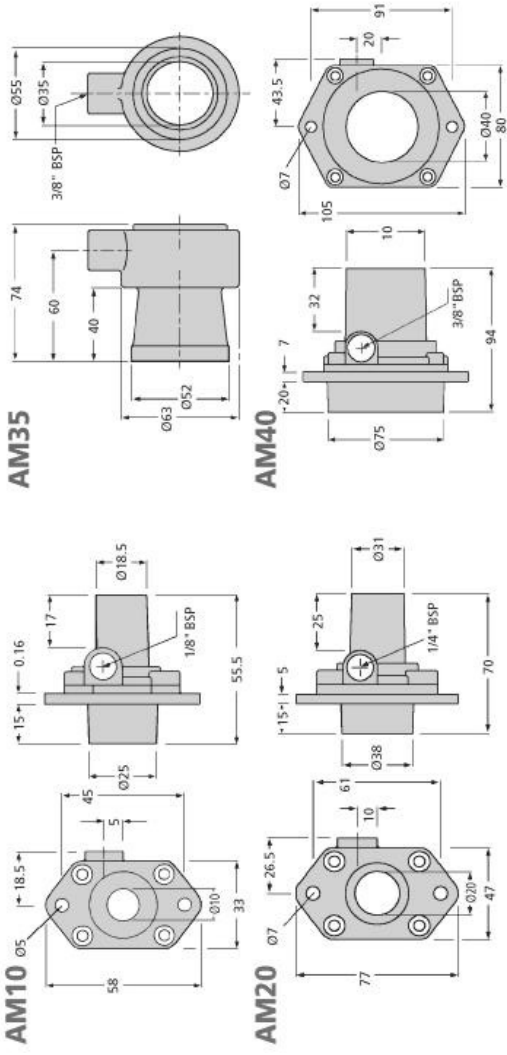


MBA

Airmovers - Fixed Gap

Airmovers amplify air flow from a small supply of compressed air. Terrific for fume or smoke extraction or to move large volumes of light weight materials.

This catalogue to be read in conjunction with information at http://www.minibearings.com.au/ogue/tech/airmovers/airmovers_tech.pdf



Airmovers - Fixed Gap

Part Number	Standard Gap (mm)	Db a at 5.5 Bar: Db a	Material (mm)	Standard Inlet Thread	Standard Inlet Thread Options	Shims
# AM10	0.05	72	Zinc Alloy	1/8 BSP	1/4 NPT	0.04 - 0.05 - 0.08

E&OE Pricing and all details subject to change without notice - Copyright Miniature Bearings Australia Pty Ltd
MBA Size Listings are a guide to sizes only and must not be solely relied on for critical design information.

Airmovers - Fixed Gap

Part Number	Standard Gap (mm)	Db a at 5.5 Bar: Db a	Material (mm)	Standard Inlet Thread	Standard Inlet Thread Options	Shims
# AM20	0.05	79	Zinc Alloy	1/4 BSP	1/8 NPT	0.04 - 0.05 - 0.08
# AM75	0.05	80	Zinc Alloy	1/2 BSP	1/2 NPT	Not Required
# AM40	0.05	80	Zinc Alloy	3/8 BSP	3/8 NPT	0.04 - 0.05 - 0.08
# AM35	0.05	80	Zinc Alloy and Aluminium	3/8 BSP	3/8 NPT	Not Required
# AM125	0.15	85	Aluminium Alloy	3/4 BSP	3/4 NPT	Not Required

E&OE Pricing and all details subject to change without notice - Copyright Miniature Bearings Australia Pty Ltd
MBA Size Listings are a guide to sizes only and must not be solely relied on for critical design information.

MBA **MINIAMNURD**
BEARINGS
 Australia Pty Ltd



ABN 94 069 113 800

DISTRIBUTED BY

Ask us to put your name and address here

<http://www.minibearings.com.au/product>
 Ph +61 7 3349 1224
 Fax +61 7 3349 3801

Catalogue requests to catalogues@minibearings.com.au

