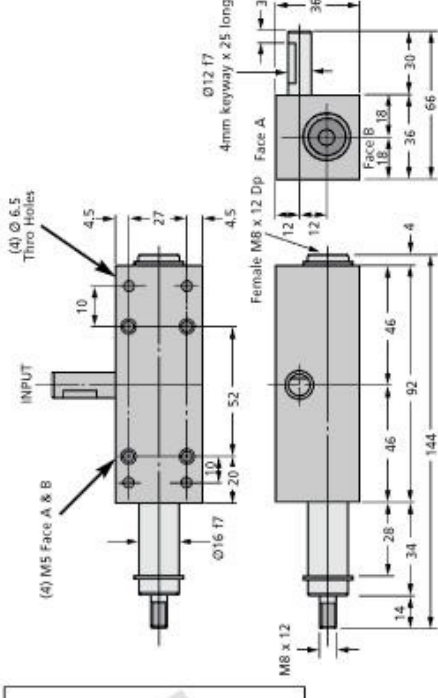
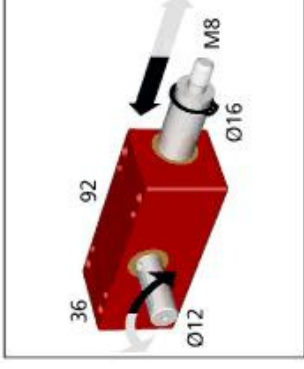


# MBA

## Actuator Box - Rack and Pinion - Size 16



Precision low backlash actuator boxes

Case: AA15 Red Anodised Aluminum (6082-T6)

Rack & Pinion: High Carbon Steel 817M40 (EN24)

Backlash: 2°

Travel: 25mm travel = 204.8° pinion rotation on input : 1mm travel = 8.19° pinion rotation on input

Lubrication: Greased for life - Shell Nerita Grease HV

### Actuator Box - Rack and Pinion - Size 16

Part Number	Output Shaft Dia.	Input Shaft Dia	Standard Travel	Max Torque Input @ 100 RPM Nm	Max Load Output Kg	Pinion Module	Angular Movement per mm travel	Total Angular Movement
# RPA16-25	16.0	12.0	25.0	3.00	41.00	1.00	8.19°	204.8°

E&OE Pricing and all details subject to change without notice - Copyright Miniature Bearings Australia Pty Ltd  
MBA Size Listings are a guide to sizes only and must not be solely relied on for critical design information.

**MBA** **MINIAMNURD**  
**BEARINGS**  
 Australia Pty Ltd



ABN 94 069 113 800

DISTRIBUTED BY

Ask us to put your name and address here

<http://www.minibearings.com.au/product>  
 Ph +61 7 3349 1224  
 Fax +61 7 3349 3801

Catalogue requests to [catalogues@minibearings.com.au](mailto:catalogues@minibearings.com.au)

