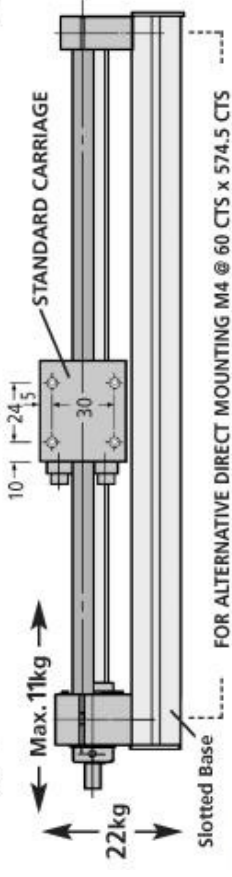
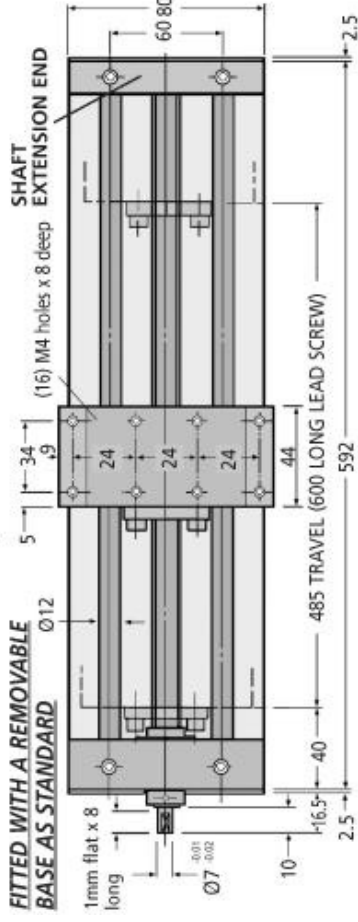
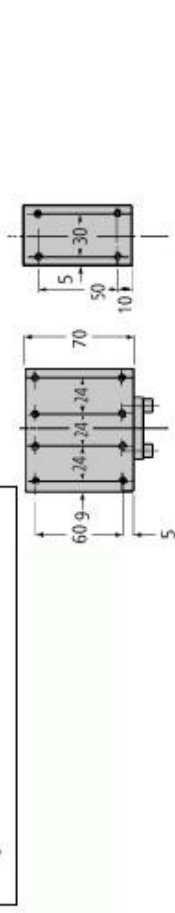
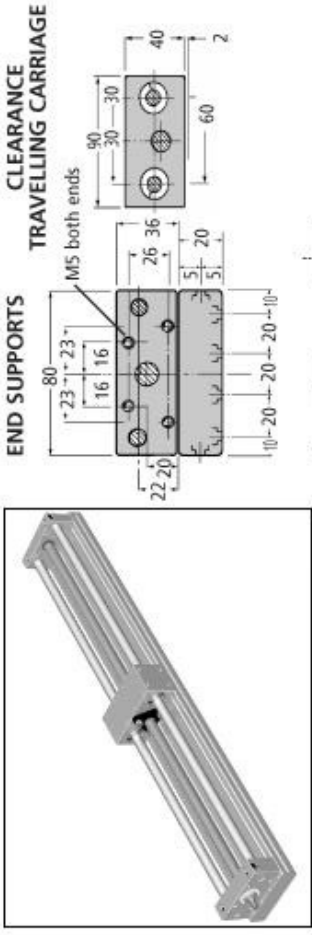




# MBA

## Actuator - Leadscrew - Medium Duty

- ZBX Leadscrew: Teflon coated Stainless Steel
- Anti-Backlash Nut: Self-lubricating Polyacetal
- Base, Carriage & Rail Supports: Anodised Aluminium
- Shafts & Bearings: Hardened Steel
- Weight: 3kg



Performance  
 Weight: 3kg  
 Screw Position Repeatability: 0.0013mm  
 Lead Accuracy: 0.0006mm/mm

E&OE Pricing and all details subject to change without notice - Copyright Miniature Bearings Australia Pty Ltd  
 MBA Size Listings are a guide to sizes only and must not be solely relied on for critical design information.

## Actuator - Leadscrew - Medium Duty

Part Number	Lead (Travel per rev. of leadscrew)	Travel (max)	Max Speed (mm/s)
# LA8-60002	2.5	485	100
# LA8-60004	4.0	485	100
# LA8-60005	5.0	485	250
# LA8-60010	10.0	485	250
# LA8-60025	25.0	485	760

E&OE Pricing and all details subject to change without notice - Copyright Miniature Bearings Australia Pty Ltd  
MBA Size Listings are a guide to sizes only and must not be solely relied on for critical design information.

**MBA** **MINIAMNURD**  
**BEARINGS**  
 Australia Pty Ltd



ABN 94 069 113 800

DISTRIBUTED BY

Ask us to put your name and address here

<http://www.minibearings.com.au/product>  
 Ph +61 7 3349 1224  
 Fax +61 7 3349 3801

Catalogue requests to [catalogues@minibearings.com.au](mailto:catalogues@minibearings.com.au)

