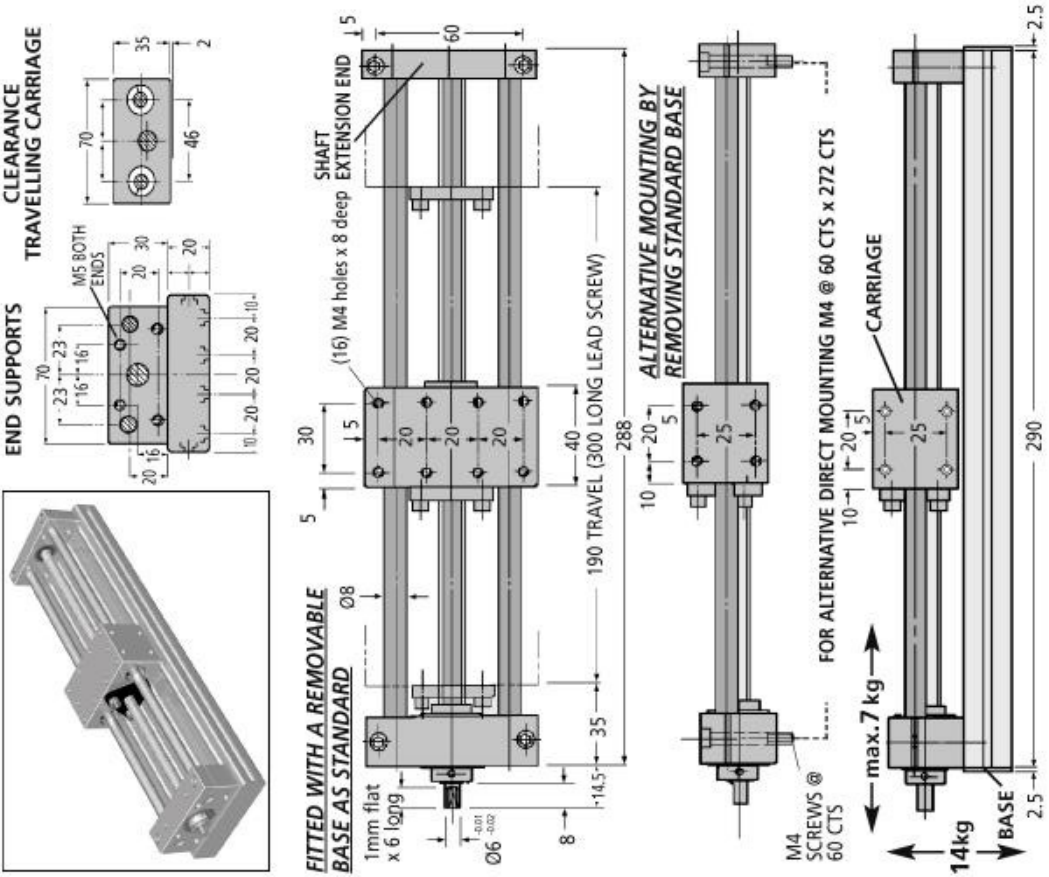




MBA

Actuator - Leadscrew - Light Duty

ZBX Leadscrew: Teflon coated Stainless Steel.
 Anti-Backlash Nut: Self-lubricating Polyacetal.
 Base, Carriage & Rail Supports: Anodised Aluminium.
 Shafts & Bearings: Hardened Steel.
 Weight: 1.3kg



E&OE Pricing and all details subject to change without notice - Copyright Miniature Bearings Australia Pty Ltd
 MBA Size Listings are a guide to sizes only and must not be solely relied on for critical design information.

Actuator - Leadscrew - Light Duty

Part Number	Lead (Travel per rev. of leadscrew)	Travel (max)	Max Speed (mm/s)
# LA7-30002	2.0	190	100
# LA7-30003	3.0	190	100
# LA7-30005	5.0	190	100
# LA7-30006	6.0	190	100
# LA7-30010	10.0	190	100
# LA7-30012	12.0	190	250

E&OE Pricing and all details subject to change without notice - Copyright Miniature Bearings Australia Pty Ltd
MBA Size Listings are a guide to sizes only and must not be solely relied on for critical design information.

MBA **MINIAMNURD**
BEARINGS
 Australia Pty Ltd



ABN 94 069 113 800

DISTRIBUTED BY

Ask us to put your name and address here

<http://www.minibearings.com.au/product>
 Ph +61 7 3349 1224
 Fax +61 7 3349 3801

Catalogue requests to catalogues@minibearings.com.au

